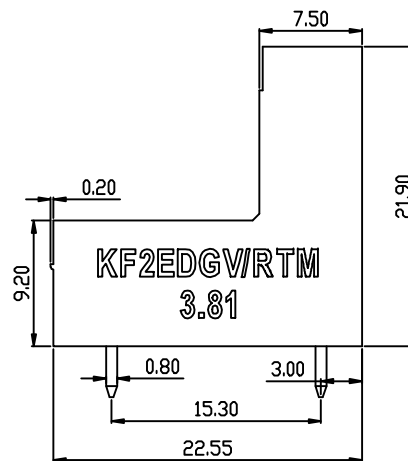
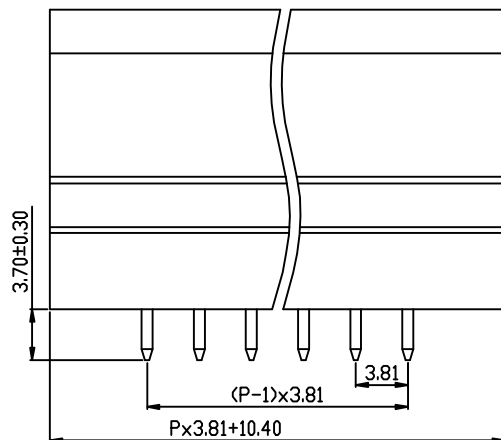
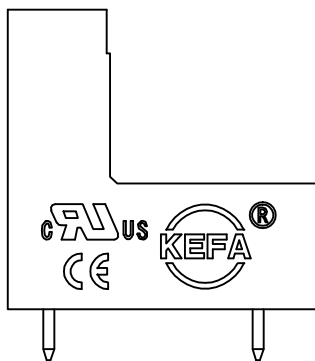
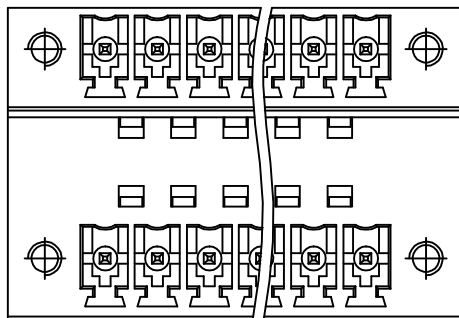
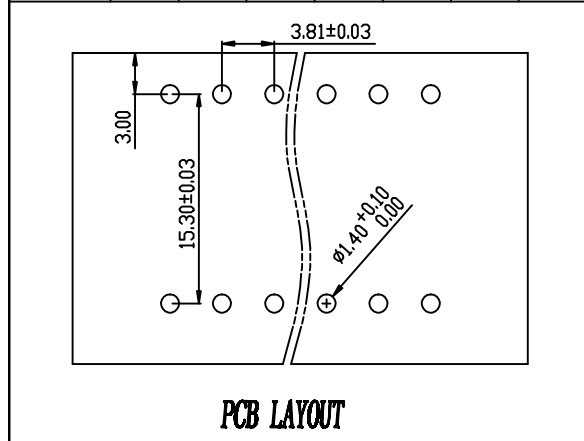


linear dimension(Tolerances Standard GB/T 14486-2008)								—		
variable range	to 6	over 6 to 10	over 10 to 30	over 30 to 60	over 60 to 100	over 100 to 160	over 160 to	to 10	over 10 to 100	over 100 to
tolerance	±0.20	±0.30	±0.50	±0.70	±1.00	±1.30	±1.60	0.10	0.30	0.60



REVISION RECORD				
REV.	DESCRIPTION	ECN No.	APPROVED	DATE
A	新发行		CLF	21.03.27

UL/CUL 技术参数 UL/CUL Technical Data				
等级 Use Group		B	C	D
额定电压 Rated Voltage [V]		300	-	300
额定电流 Rated Current [A]		8	-	10
接线范围 Wire Range 单/多芯线 Solid/Stranded [AWG]		-		
耐电压 Withstanding Voltage		1800V/1Min		
IEC 技术参数 IEC Technical Data				
过电压类别 Overvoltage Category		II	III	II
污染等级 Contamination Class		3	2	2
额定电压 Rated Voltage [V]		-	160	320
额定电流 Rated Current [A]		-	7	7
额定冲击电压 Impulse withstand voltages [KV]		-	2.5	2.5
导线横截面积 Conductor cross section 硬质/柔性导线 Solid/flexible [mm ²]		-		
材料 Material				
绝缘材料 Insulation Material		PA66		
阻燃等级 Inflammability		UL94V-0		
导体材料 Contacting Material		铜合金 Copper alloy		
导体表面镀层 Contactive Coating		镀锡 Tin Plated		
一般参数 Other Data				
间距 Pitch [mm]		3.81		
极数 Pole [P]		2x(2-24)		
剥线长度 Stripping Length [mm]		-		
螺丝 Screw/扭矩 Torque(Max) [N.m]		-		
工作温度 Operating temperatur [°C]		-40~+105		
引脚尺寸 Pin Dimensions [mm]		3.70		
PCB板孔径 PCB Hole Diameter [mm]		1.40		

DES.	SJD	DATE	21.03.27	单位/UNITS	mm	尺寸/SIZE	A4	比例/SCALE	1:1	第三视角/THIRD ANGLE PROJECTION	版本/REV	A
CHK.	SY	DATE	21.03.27	慈溪市科发电子有限公司 CIXI KEFA ELECTRONIC CO., LTD				名称/TITLE	KF2EDGVTM-3.81			
APP.	CLF	DATE	21.03.27									

X-ON Electronics

Largest Supplier of Electrical and Electronic Components

Click to view similar products for [Pluggable Terminal Blocks](#) category:

Click to view products by [Cixi Kefa](#) manufacturer:

Other Similar products are found below :

[57.510.0053](#) [721-104/026-047](#) [721-204/026-045](#) [MC 1.5/ 6-ST-3.5 GY AU](#) [ET02015000J0G](#) [860505](#) [860516](#) [860810](#) [GBPACX-12](#)
[93.731.4953.0](#) [PVP03-3,50](#) [PVS02-5,00](#) [1-1986160-3](#) [1377680000](#) [1531000000](#) [1546228-5](#) [ELFP03110](#) [ELFP10210](#) [ELFT07250](#)
[ELVD12100](#) [ELVF09400](#) [ELXH071G0E](#) [1725220000](#) [1760336](#) [1855000000](#) [19346](#) [1946309](#) [1973592](#) [19892](#) [25.320.4053.1](#) [25.320.4553.9](#)
[25.320.4753.1](#) [25.320.5453.1](#) [25.340.0353.1](#) [25.340.1053.1](#) [25.345.3553.0M001](#) [25.640.3553.1](#) [SH02-5,08](#) [SH06-3,81](#) [SH08-5,08](#) [SH08-](#)
[5,08-K](#) [SH12-5,08](#) [SHS04-5,00](#) [30.303](#) [30.305](#) [30.306](#) [PHP09-5,08](#) [25.193.0453.0](#) [25.320.4653.1](#) [25.332.2453.1](#)