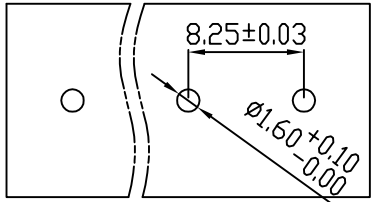
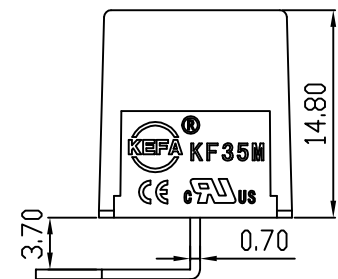
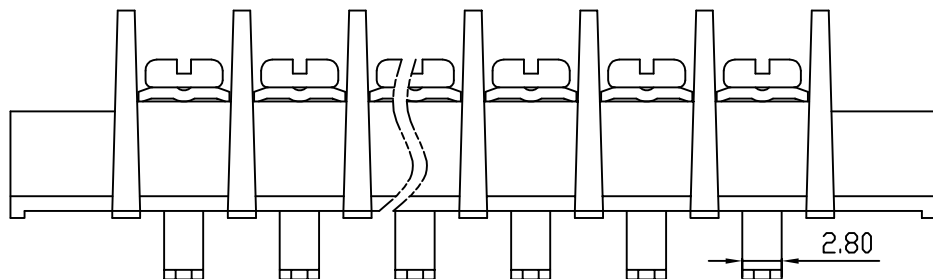
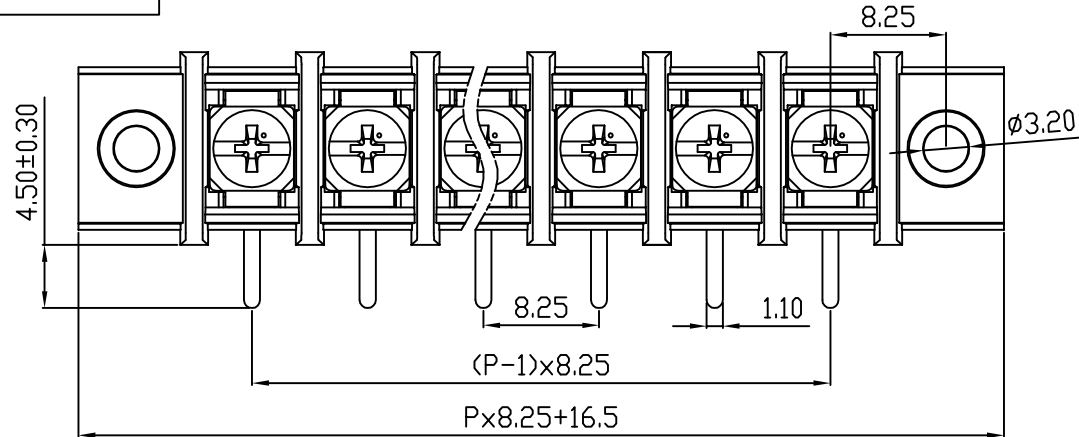


| linear dimension(Tolerances Standard GB/T 14486-2008) |         |           |            |            |            |             |             | —        | $\nabla$   | $\perp$     |      |
|---|---------|-----------|------------|------------|------------|-------------|-------------|----------|------------|-------------|------|
| variable range  | to<br>6 | over<br>6 | over<br>10 | over<br>30 | over<br>60 | over<br>100 | over<br>160 | to<br>10 | over<br>10 | over<br>100 |      |
|   |         | to<br>10  | to<br>30   | to<br>60   | to<br>100  | to<br>160   | to<br>100   |          | to<br>100  |             |      |
| tolerance   |         | ±0.20     | ±0.30      | ±0.50      | ±0.70      | ±1.00       | ±1.30       | ±1.60    | 0.10       | 0.30        | 0.60 |



PCB LAYOUT



| REVISION RECORD |             |         |          |          |
|-----------------|-------------|---------|----------|----------|
| REV.            | DESCRIPTION | ECN No. | APPROVED | DATE     |
| A               | 新发行         |         | CLF      | 21.09.11 |
|                 |             |         |          |          |
|                 |             |         |          |          |

| UL/CUL 技术参数           |                                   | cULus            |   |   |
|-----------------------|-----------------------------------|------------------|---|---|
| UL/CUL Technical Data |                                   |                  |   |   |
| 等级                    | Use Group                         | B                | C | D |
| 额定电压                  | Rated Voltage [V]                 | 300              | - | - |
| 额定电流                  | Rated Current [A]                 | 20               | - | - |
| 接线范围                  | Wire Range                        | 22-12            |   |   |
| 单/多芯线                 | Solid/Stranded [AWG]              |                  |   |   |
| IEC 技术参数              |                                   | D'E              |   |   |
| IEC Technical Data    |                                   |                  |   |   |
| 额定电压                  | Rated Voltage [V]                 | 450              |   |   |
| 额定电流                  | Rated Current [A]                 | 24               |   |   |
| 耐电压                   | Withstanding Voltage [V/1Min]     | 2500V/1Min       |   |   |
| 导线截面积                 | Conductor cross section           | 2.5              |   |   |
| 硬质/柔性导线               | Solid/flexible [mm <sup>2</sup> ] |                  |   |   |
| 材料                    |                                   | Material         |   |   |
| 绝缘材料                  | Insulation Material               | PA66             |   |   |
| 阻燃等级                  | Imflamability                     | UL94V-0          |   |   |
| 导体材料                  | Contact Material                  | 铜合金 Copper alloy |   |   |
| 导体表面镀层                | Contactive Coating                | 镀锡 Tin Plated    |   |   |
| 一般参数                  |                                   | Other Data       |   |   |
| 间距                    | Pitch [mm]                        | 8.25             |   |   |
| 极数                    | Poles [P]                         | 02~24            |   |   |
| 剥线长度                  | Stripping Length [mm]             | -                |   |   |
| 螺丝                    | Screw/扭矩 Torque(Max) [N.m]        | M3/0.8           |   |   |
| 工作温度                  | Operating temperatur [°C]         | -40~+105         |   |   |
| 引针尺寸                  | Pin Dimensions [mm]               | 4.5              |   |   |
| PCB板孔径                | PCB Hole Diameter [mm]            | 1.6              |   |   |

|      |     |      |          |  |            |           |             |            |     |                               |          |   |
|------|-----|------|----------|--|------------|-----------|-------------|------------|-----|-------------------------------|----------|---|
| DES. | LQQ | DATE | 21.09.11 | 单位 / UNITS                                   | mm         | 尺寸 / SIZE | A4          | 比例 / SCALE | 1:1 | 第三视角 / THIRD ANGLE PROJECTION | 版本 / REV | A |
| CHK. | BY  | DATE | 21.09.11 | 慈溪市科发电子有限公司<br>CIXI KEFA ELECTRONIC CO., LTD | 名称 / TITLE |           | KF35RM-8.25 |            |     |                               |          |   |
| APP. | CLF | DATE | 21.09.11 |  |            |           |             |            |     |                               |          |   |

## X-ON Electronics

Largest Supplier of Electrical and Electronic Components

*Click to view similar products for [Barrier Terminal Blocks](#) category:*

*Click to view products by [Cixi Kefa](#) manufacturer:*

Other Similar products are found below :

[CR151D20104](#) [670A-RZ-15-KT20](#) [6C1N03](#) [6PCR-02](#) [6PCR-02-008](#) [6PCR-05-008](#) [6PCR-08-008](#) [6PCR-09-008](#) [6PCR-13-006](#) [6PCR-15-006](#) [6PCV-06-008](#) [6PCV-06-716](#) [6PCV-09-001](#) [6PCV-15-008](#) [6PCV-17-1206](#) [6PCV-20-323](#) [6STR-06-006](#) [6STR-08-006](#) [6STR-12-008](#) [6STR-13-006](#) [6STR-14-008](#) [6STR-16-008](#) [6STR-17-008](#) [6STR-21-008](#) [6STR-25-008](#) [6STR-27-008](#) [6STV-03-008](#) [6STV-09-006](#) [6STV-10-006](#) [6WWV-11-008](#) [6WWV-12-008](#) [6WWV-16-008](#) [71502-50](#) [71507-47-50](#) [72504-C-50](#) [72506-C](#) [72507-C-50](#) [72508-56](#) [73203](#) [75505-C-50](#) [812-GP-3/4ST-09](#) [812-GPZ-03PSB](#) [8-1437402-5](#) [8-1437402-7](#) [8PCR-06-006](#) [8PCR-11-006](#) [8PCV-04-001](#) [8PCV-05-008](#) [8PCV-09-006](#) [8PCV-15-006](#)