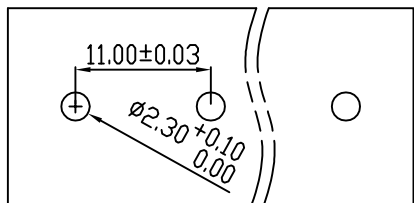


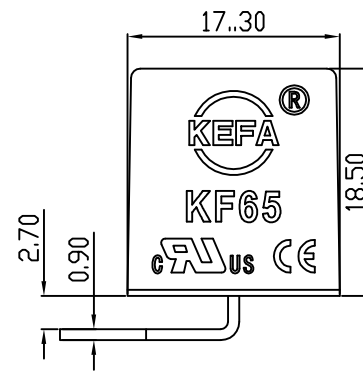
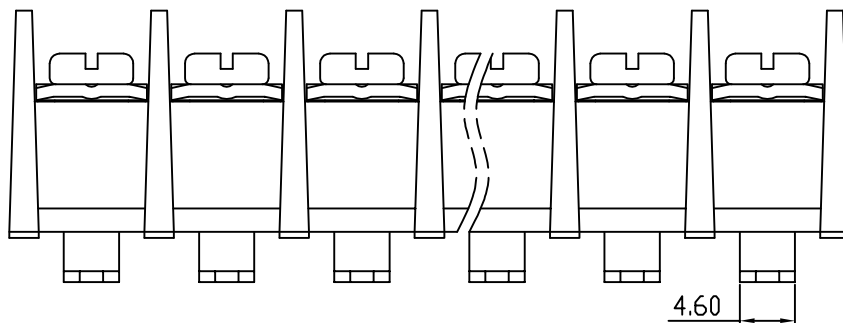
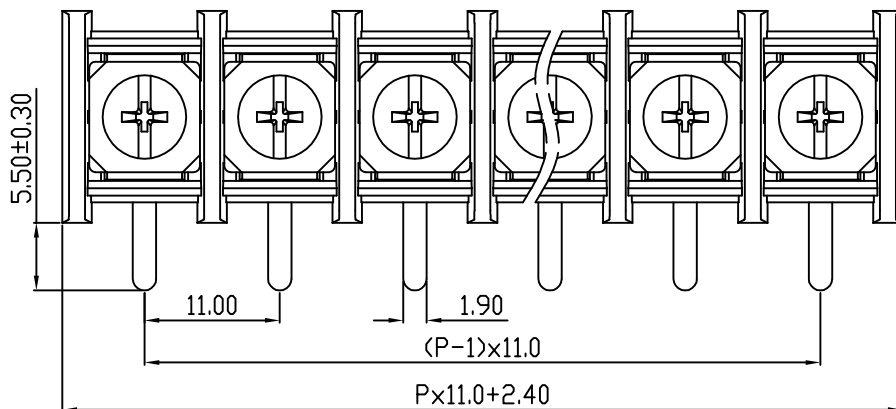
linear dimension(Tolerances Standard GB/T 14486-2008)



| variable range | to 6 | over 6 | over 10 | over 30 | over 60 | over 100 | over 160 | to 10 | over 10 | over 100 |
|----------------|-------|--------|---------|---------|---------|----------|----------|-------|---------|----------|
| | | to 10 | to 30 | to 60 | to 100 | to 160 | to 100 | | to 100 | |
| tolerance | ±0.20 | ±0.30 | ±0.50 | ±0.70 | ±1.00 | ±1.30 | ±1.60 | 0.10 | 0.30 | 0.60 |



PCB LAYOUT



REVISION RECORD

| REV. | DESCRIPTION | ECN No. | APPROVED | DATE |
|------|-------------|---------|----------|----------|
| A | 新发行 | | CLF | 21.12.02 |
| | | | | |
| | | | | |

| | | | | |
|-----------------------|-----------------------------------|------------------|---|---|
| UL/CUL 技术参数 | | | | |
| UL/CUL Technical Data | | | | |
| 等级 | Use Group | B | C | D |
| 额定电压 | Rated Voltage [V] | 600 | - | - |
| 额定电流 | Rated Current [A] | 30 | - | - |
| 接线范围 | Wire Range | 18-10 | | |
| 单/多芯线 | Solid/Stranded [AWG] | | | |
| IEC 技术参数 | | | | |
| IEC Technical Data | | | | |
| 额定电压 | Rated Voltage [V] | 750 | | |
| 额定电流 | Rated Current [A] | 32 | | |
| 耐电压 | Withstanding Voltage | 3000V/1Min | | |
| 导线截面积 | Conductor cross section | 4.0 | | |
| 硬质/柔性导线 | Solid/flexible [mm ²] | | | |
| 材料 | | Material | | |
| 绝缘材料 | Insulation Material | PA66 | | |
| 阻燃等级 | Imflammability | UL94V-0 | | |
| 导体材料 | Contacting Material | 铜合金 Copper alloy | | |
| 导体表面镀层 | Contactive Coating | 镀锡 Tin plated | | |
| 一般参数 | | Other Data | | |
| 间距 | Pitch [mm] | 11.0 | | |
| 极数 | Poles [P] | 02-24 | | |
| 剥线长度 | Stripping Length [mm] | - | | |
| 螺丝/扭矩 | Torque(Max) [N.m] | M4/1.2 | | |
| 工作温度 | Operating temperatur [°C] | -40~+105 | | |
| 引针尺寸 | Pin Dimensions [mm] | 5.5 | | |
| PCB板孔径 | PCB Hole Diameter [mm] | 2.3 | | |

| | | | |
|------|-----|------|----------|
| DES. | LQQ | DATE | 21.12.02 |
| CHK. | BY | DATE | 21.12.02 |
| APP. | CLF | DATE | 21.12.02 |

| | | | | | |
|--|----|---------|----|----------|-----|
| 单位/UNITS | mm | 尺寸/SIZE | A4 | 比例/SCALE | 1:1 |
| 慈溪市科发电子有限公司 CIXI KEFA ELECTRONIC CO., LTD | | | | | |

| | | | |
|-----------------------------|--|----------|------------|
| 第三视角/THIRD ANGLE PROJECTION | | 版本/REV | A |
| | | 名称/TITLE | KF65R-11.0 |

X-ON Electronics

Largest Supplier of Electrical and Electronic Components

Click to view similar products for [Barrier Terminal Blocks](#) category:

Click to view products by [Cixi Kefa](#) manufacturer:

Other Similar products are found below :

[CR151D20104](#) [670A-RZ-15-KT20](#) [6C1N03](#) [6PCR-02](#) [6PCR-02-008](#) [6PCR-05-008](#) [6PCR-08-008](#) [6PCR-09-008](#) [6PCR-13-006](#) [6PCR-15-006](#) [6PCV-06-008](#) [6PCV-06-716](#) [6PCV-09-001](#) [6PCV-15-008](#) [6PCV-17-1206](#) [6PCV-20-323](#) [6STR-06-006](#) [6STR-08-006](#) [6STR-12-008](#) [6STR-13-006](#) [6STR-14-008](#) [6STR-16-008](#) [6STR-17-008](#) [6STR-21-008](#) [6STR-25-008](#) [6STR-27-008](#) [6STV-03-008](#) [6STV-09-006](#) [6STV-10-006](#) [6WWV-11-008](#) [6WWV-12-008](#) [6WWV-16-008](#) [71502-50](#) [71507-47-50](#) [72504-C-50](#) [72506-C](#) [72507-C-50](#) [72508-56](#) [73203](#) [75505-C-50](#) [812-GP-3/4ST-09](#) [812-GPZ-03PSB](#) [8-1437402-5](#) [8-1437402-7](#) [8PCR-06-006](#) [8PCR-11-006](#) [8PCV-04-001](#) [8PCV-05-008](#) [8PCV-09-006](#) [8PCV-15-006](#)