

**Pushbutton non-illuminated - mounting hole diameter 16.2 mm, 1 NO, white**  
**1.10.102.001/0205**



#### General information

|                |                 |
|----------------|-----------------|
| Form of lens   | protruding lens |
| Color of lens  | opaque white    |
| Form of collar | round           |

#### Dimensions

|                    |         |
|--------------------|---------|
| Diameter of collar | 20 mm   |
| Overall height     | 9 mm    |
| Mounting depth     | 41 mm   |
| Mounting hole      | 16.2 mm |

#### Mechanical design

|                     |                 |
|---------------------|-----------------|
| Mounting            | ring nut        |
| Terminals           | screw terminals |
| Contact system      | bridge contact  |
| Contact function    | momentary       |
| Contact arrangement | 1 NO            |
| Contact materials   | Ag              |
| Illumination        | no              |
| Lamp socket         | no              |

#### Mechanical characteristics

|                      |        |
|----------------------|--------|
| Operating force max. | 7.5 N  |
| Operating travel     | 4.3 mm |
| Switching travel NC  | 1.3 mm |
| Switching travel NO  | 2.2 mm |
| Robustness max.      | 100 N  |

#### Electrical characteristics

|                                  |        |
|----------------------------------|--------|
| Rated voltage AC max.            | 250 V  |
| Rated current max.               | 2 A    |
| Contact resistance when new max. | 100 mΩ |

#### Other specifications

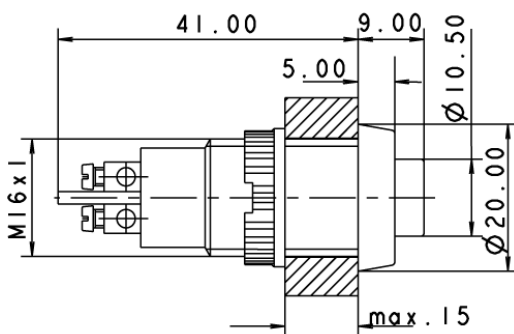
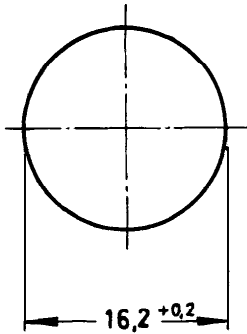
|                                      |   |
|--------------------------------------|---|
| Operating life (operations)          | 150,000 cycle                                     |
| Degree of protection from front side | IP40 acc. to DIN EN 60529 (IP65 with sealing cap) |
| Operation temperature min.           | -25 °C  |
| Ambient temp. operating max.         | +85 °C  |
| Storage temperature min.             | -40 °C  |
| Storage temperature max.             | +90 °C  |

---

|   |  |
|---|--|
| Environmental resistance                | acc. to IEC 60068-2-14, -30, -33 and -78 |
| Weight                                  | 11 g                                     |
| Approvals                               | ENEC 25 T 85                             |
| Hot wire ignition acc. to IEC 60695-2-1 | yes                                      |
| ROHS compliant                          | yes                                      |
| REACH compliant                         | yes                                      |

---

## Panel cut-out



## X-ON Electronics

Largest Supplier of Electrical and Electronic Components

*Click to view similar products for [Pushbutton Switches](#) category:*

*Click to view products by [C&K](#) manufacturer:*

Other Similar products are found below :

[8940K2012](#) [LW1L-M1C10V-A](#) [LW1L-M1C70-A](#) [LW2L-A1C20M-GD](#) [LW2L-M1C20M-A](#) [60324L](#) [M22-D-R-GB0/K11](#) [M7E-HRN2](#)  
[67021K512](#) [67081K512X](#) [701PB580](#) [7199K101](#) [810K12910](#) [810KSV30B](#) [MML21EA2ADK](#) [MML21KA3ABK](#) [MML23KA3AC05K-001](#)  
[MML23KW3AA01W](#) [8418K2](#) [8442K3](#) [8450K1](#) [860K11911T01A](#) [861901](#) [861K11911T01A07](#) [861K13810T00A14](#) [861K13911](#)  
[8646AB6X718UL](#) [8646ABUL](#) [9001KXRK](#) [907AYY100](#) [PMHD155A1](#) [9533CD4+U574+U4922](#) [95-414.000](#) [99-450.837](#) [99-453.837](#)  
[PV3H2B0NN-341](#) [1203MRA](#) [A22NZBGANGA](#) [A22NZBNANGA](#) [A22NZMPATRA](#) [A2PMA1X03EC56](#) [A3A-5123-02](#) [A3A-7140](#) [A3A-7310](#) [A3A-7340](#) [A3U-TMW-A2C-5M](#) [A595](#) [12037A2ULCSA](#) [ABD122N-B](#) [1211390004](#)