

## RACON 12, SMD gullwing (Z) terminals

### 1.14.001.503/0000

For keycaps, refer to RK 90.



#### Dimensions

Overall height	4,95 <sup>+0,1</sup> mm
Width of housing	12 mm
Length of housing	12 mm

#### Electrical characteristics

Contact resistance when new max.	100 mΩ
Insulation resistance	10 <sup>9</sup> Ω
Bouncing time max.	5 ms
Rated power max. (ohmic load)	1 W
Rated voltage max.	42 V
Rated voltage min.	0.02 V
Rated current max.	100 mA
Rated current min.	0.01 mA

#### Mechanical characteristics

Operating force	3.6 <sup>+0.7</sup> N
Switching travel	0.61 <sup>+0.1</sup> mm

#### Mechanical design

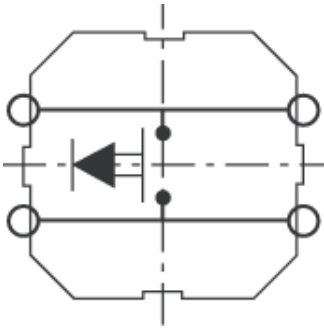
Terminals	SMD Gullwing (Z) terminals
Mounting	soldering
Illumination	no
Contact arrangement	1 NO
Contact system	snap-action contact
Contact materials	Au

#### Other specifications

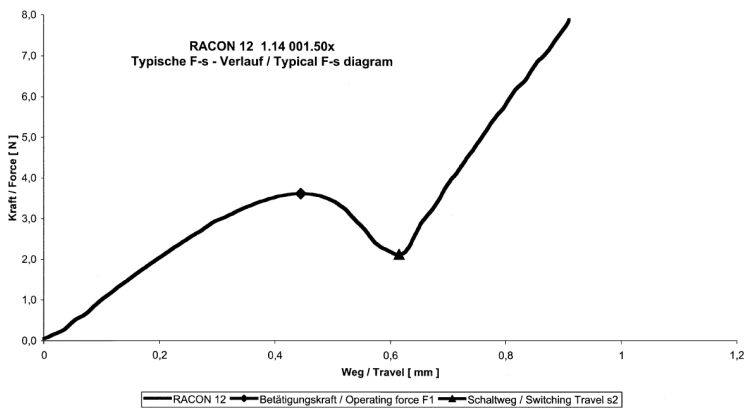
Ambient temp. operating max.	+80 °C
Ambient temp. operating min.	-40 °C
Flammability of materials	UL 94 HB
Resistance to constant environment	according to IEC 600 68-2-3 and 2-30
Operating life at R <sub>T</sub> = 23° C and test force = 1,5 x rated force	1000000
Solderability / solder heat resistance PCB version	---
Solderability / solder heat resistance SMD version	according to EN 61760-1, DIN IEC 600-68-2-58
Produkt code	C1
Packing	tape and reel à 750 piece
Resistance at variable environment	according to IEC 600 68-2-14 and 2-33

11.08.2009

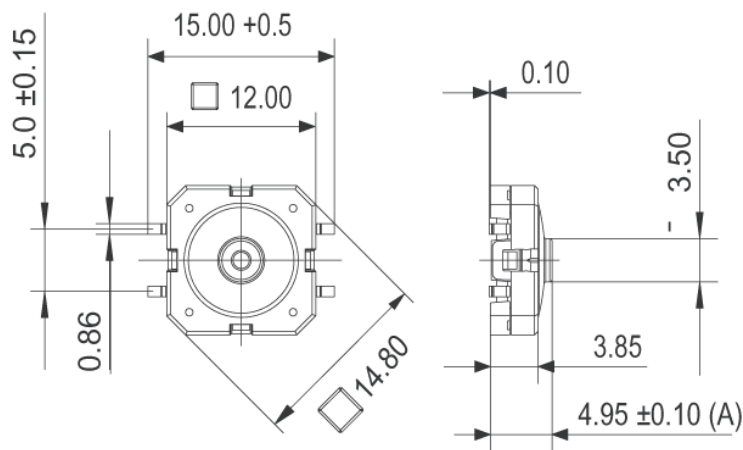
Circuit diagram



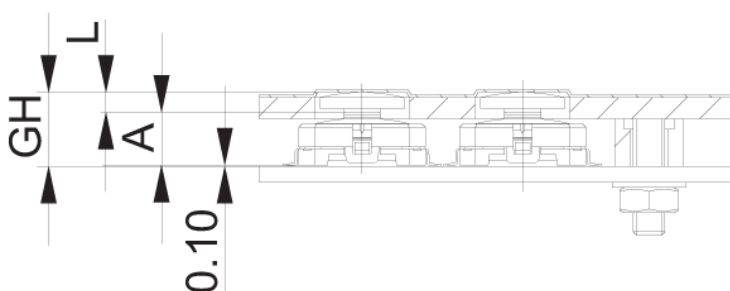
Schaltw



MASS

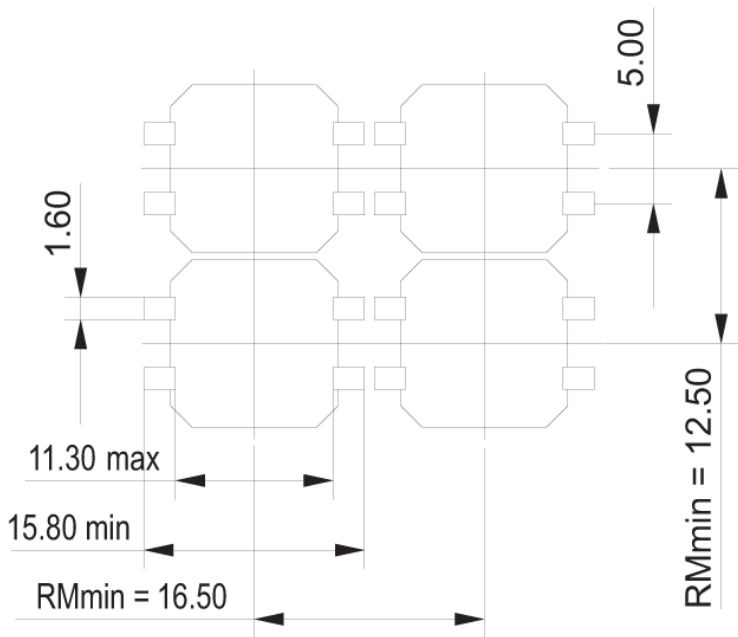


System drawing 1



11.08.2009

PCB



## X-ON Electronics

Largest Supplier of Electrical and Electronic Components

*Click to view similar products for [Tactile Switches](#) category:*

*Click to view products by [C&K](#) manufacturer:*

Other Similar products are found below :

[5GTH92001](#) [1-1977120-4](#) [ADTSA62NV](#) [ADTSA62RV](#) [ADTSA63KV](#) [ADTSA644NV](#) [ADTSMW66NV](#) [ADTSMW67RV](#) [B3F-3123](#) [B3F-6055A](#) [B3F-B32-01-KIT](#) [1977177-8](#) [1977266-1](#) [ADTS644KV](#) [ADTSA61RV](#) [ADTSA62KV](#) [ADTSA63NV](#) [ADTSA63RV](#) [ADTSM21NSVTR](#) [ADTSM32NVTR](#) [ADTSM63SVTR](#) [ADTSM644KVTR](#) [ADTSMW64RV](#) [ADTSMW69NV](#) [FSMRA4JHA04](#) [GS4.70F300QP](#) [3ESH9R](#) [506E00201](#) [MJTP1164TR](#) [3FTL600RAS](#) [3FTL640RAS](#) [Y96K132V0FPLFS](#) [101-TS5022T1601-EV](#) [5GSH92001](#) [KSJ0A231](#) [80SH LFG](#) [ADTSM31NVTR](#) [EVQ-P1D05K](#) [MJTP1162TR](#) [ADTSM63KV](#) [2-1977120-7](#) [TSJW-5.2-260-TR](#) [KMT011MNGJLHS](#) [B3WN6002S](#) [ADTSA648RV](#) [70-201.0](#) [ADTSG648NV](#) [ADTSM62KSVTR](#) [ATA600VTR](#) [ADTSG66RV](#) [ADTS61NV](#)