

**RAFIX 16 - Selector switch, round collar, non-illuminated, latching****1.30.073.620/0200**

Only use contact blocks with momentary function.

**General information**

|                   |              |
|-------------------|--------------|
| Actuator          | handle       |
| Marking of handle | opaque white |
| Form of collar    | round        |

**Dimensions**

|                   |                  |
|-------------------|------------------|
| Collar dimensions | 24.95 x 24.95 mm |
| Collar dimensions | ø 24.95 mm       |
| Overall height    | 17.1 mm          |
| Mounting depth    | 44.7 mm          |
| Mounting hole     | 16.2 mm          |
| Key grid          | 25 x 25 mm       |

**Mechanical design**

|                     |                            |
|---------------------|----------------------------|
| Mounting            | ring nut                   |
| Contact function    | latching                   |
| Contact arrangement | according to contact block |
| Illumination        | no                         |
| Rotating angle      | 1 x 90°, form V            |

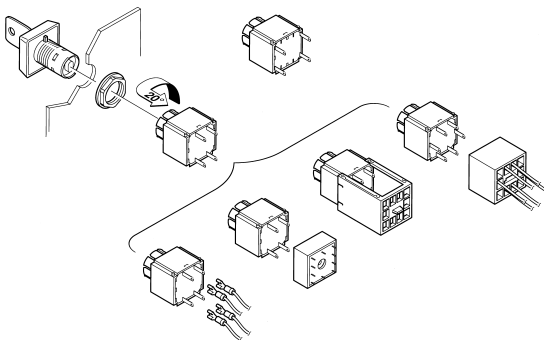
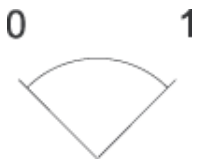
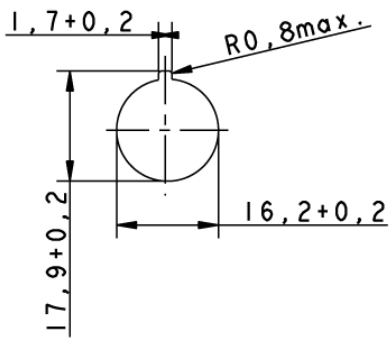
**Mechanical characteristics**

|             |        |
|-------------|--------|
| Torque max. | 1.3 Nm |
|-------------|--------|

**Other specifications**

|   |  |
|---|--|
| Operating life (operations)                     | 30,000 cycle                             |
| Degree of protection from front side            | IP65 (DIN EN 60529)                      |
| Operation temperature min.                      | -25 °C                                   |
| Ambient temp. operating max. without lamp / LED | +70 °C                                   |
| Ambient temp. operating max. with lamp /LED     | +55 °C                                   |
| Storage temperature min.                        | -40 °C                                   |
| Storage temperature max.                        | +85 °C                                   |
| Environmental resistance                        | acc. to IEC 60068-2-14, -30, -33 and -78 |
| ROHS compliant                                  | yes                                      |
| REACH compliant                                 | yes                                      |

Panel cut-out



## X-ON Electronics

Largest Supplier of Electrical and Electronic Components

*Click to view similar products for [Rotary Switches](#) category:*

*Click to view products by [C&K](#) manufacturer:*

Other Similar products are found below :

[57HS22-02-2-06N](#) [57M22-02B16N](#) [57M22-09A16N](#) [58J1007](#) [58J8A45-01B05N](#) [59M18-02A20N](#) [M3786/39-3BA](#) [M3786/39-LMC](#)  
[M3786/4-0007](#) [M3786/4-0073](#) [M3786/4-0182](#) [M3786/4-0640](#) [M3786/4-0873](#) [M3786/4-0881](#) [M3786/4-3187](#) [M3786/4-3267](#) [M3786/4-5272](#)  
[M3786/4-5568](#) [M3786/4-5876](#) [M3786/4-6029](#) [71ESF30-05204N](#) [MC06L1NCGF](#) [FA201BKGN](#) [84986-26](#) [9003K2C003GA](#) [PLR3251](#)  
[PLR3262](#) [PLR3279](#) [PS3](#) [A019305](#) [A019306](#) [A019501](#) [A029301](#) [A165W-T2AR](#) [R2AA2133NNNN](#) [R2AA4455NNNN](#) [R2BB4455NNNN](#)  
[ACSNO-6123-FB-C6002](#) [RMS1224](#) [DR75-AMSF-10R-B](#) [14-520.0360](#) [BCK1006](#) [1703.3201](#) [HW1MS-0202-101](#) [C6P0206N-A](#) [24002-03S](#)  
[A019109](#) [A029101](#) [A165W-T3MR](#) [A22NS-3BM-NRA-G120-NN](#)