

RAFIX 16 - Emergency stop pushbutton, square collar, dupe-proof

1.30.074.101/0301

Only use universal contact blocks with momentary function.



The positively driven mechanical arrangement is dupe-proof to EN 418.

General information

| | |
|-------------------|------------|
| Actuator | mushroom |
| Color of mushroom | opaque red |
| Form of collar | square |

Dimensions

| | |
|----------------|---------|
| Overall height | 24.6 mm |
| Mounting depth | 44.7 mm |
| Mounting hole | 16.2 mm |

Mechanical design

| | |
|---------------------|--|
| Mounting | ring nut |
| Contact function | latching |
| Contact arrangement | according to contact block |
| Illumination | no |
| Reset | counterclockwise or clockwise rotation |

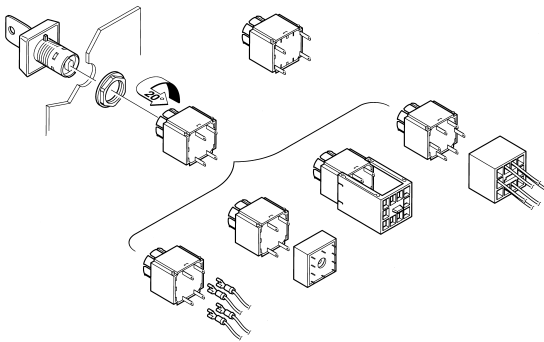
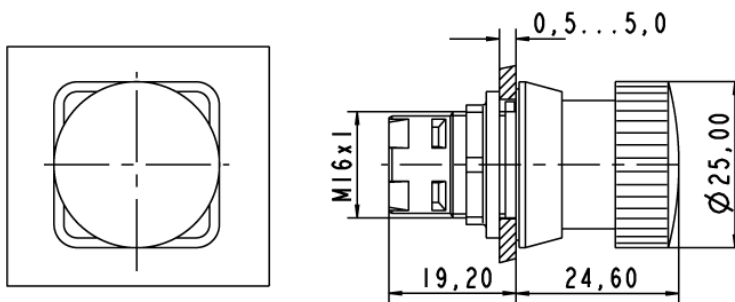
Mechanical characteristics

| | |
|-----------------|-----------------------|
| Robustness max. | 100 N |
| Robustness | acc. to IEC 60947-5-5 |

Other specifications

| | |
|---|--|
| Operating life (operations) | 30,000 cycle |
| Degree of protection from front side | IP65 (DIN EN 60529) |
| Operation temperature min. | -25 °C |
| Ambient temp. operating max. without lamp / LED | +70 °C |
| Ambient temp. operating max. with lamp /LED | +55 °C |
| Storage temperature min. | -40 °C |
| Storage temperature max. | +85 °C |
| Environmental resistance | acc. to IEC 60068-2-14, -30, -33 and -78 |
| Corresponding to CE Ma-Dir. 89/392 | yes |
| ROHS compliant | yes |
| REACH compliant | yes |

Panel cut-out



X-ON Electronics

Largest Supplier of Electrical and Electronic Components

Click to view similar products for [Emergency Stop Switches / E-Stop Switches](#) category:

Click to view products by [C&K](#) manufacturer:

Other Similar products are found below :

[84-6830.0020](#) [AVN302N-R](#) [3050.1302Y](#) [44-710](#) [84-6841.2B20](#) [ZA2BV05](#) [951FY000-WO](#) [ER6022-022N](#) [952+2000-00](#) [ES3S51653001](#)
[601+0000-OP](#) [E100-A2A22S05A](#) [XCSEA802](#) [XCSB502](#) [2TLA030051R0100](#) [D2D 1009M](#) [D2D 1013H](#) [AZM 170SK-02ZRKA 24VAC/DC](#)
[84-6820.0020A](#) [84-6820.0040](#) [XY2CH13250H29](#) [XCSDMR590L01M12](#) [XCSTA892](#) [XCSMP80L5](#) [FB1W-HW1B-M220B](#) [FB1W-HW1B-](#)
[X401R](#) [84-5221.2B20](#) [AZM KEY \(M5\)](#) [AZ 17/170-B15](#) [AZM 161SK-12/12RKA-110/230](#) [AZM 415-11/11ZPK 24VAC/DC](#) [AZM 415-](#)
[11/11ZPKA 24VAC/DC](#) [AZM 161-B1S](#) [AZ 15/16-B1-2245](#) [AZ 17/170-B11](#) [AZ 17-11ZI B5](#) [BNS 40S-12Z 10,0M](#) [AZ 16-02ZVRK-ST](#)
[AZ/AZM 415-B2](#) [AZ/AZM 415-B3](#) [MZM 100-B1.1](#) [A-K8P-M12-S-G-5M-BK-2-X-A-4-69](#) [A-K8P-M12-S-G-10M-BK-2-X-A-4-69](#) [A-K5P-](#)
[M12-S-G-10M-BK-2-X-A-4-69](#) [A-K4P-M12-S-G-2M-BK-2-X-A-4-69](#) [AZ/AZM201-B30-RTAG1P1-SZ](#) [SK-BETÄTIGER M3](#) [SK-BET.M4](#)
[KPL. M.KAP. BETÄTIGER A1 KPL.](#) [SK-A2Z M](#)