

RAFIX 22 QR - Pushbutton, non-illuminated, flush lens, round collar, metal front ring, momentary
1.30.240.121/0200



General information

| | |
|---------------------|-----------------|
| Form of lens | flat lens |
| Color of lens | opaque white |
| Color of front ring | silver metallic |
| Form of collar | round |

Dimensions

| | |
|---|------------|
| Dimensions of collar | ø 29.8 mm |
| Overall height | 9.4 mm |
| Mounting depth with contact block without cable | 56.4 mm |
| Mounting hole | ø 22.3 mm |
| Mounting grid | 50 x 30 mm |

Mechanical design

| | |
|------------------|-----------|
| Mounting | ring nut |
| Contact function | momentary |
| Illumination | no |

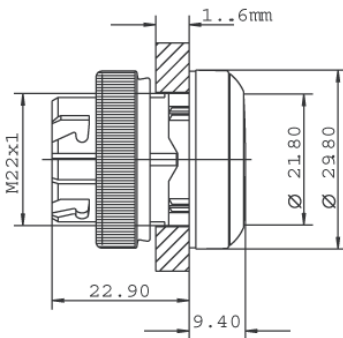
Mechanical characteristics

| | |
|----------------------|-------------------------------------|
| Operating travel | 4 mm |
| Operating force max. | approx. 5 N for 1 switching element |
| Robustness max. | 100 N |

Other specifications

| | |
|--------------------------------------|--|
| Operating life (operations) | 1,000,000 momentary / 500,000 latching cycle |
| Degree of protection from front side | IP65 (DIN EN 60529) |
| Ambient temp. operating min. | -25 °C |
| Ambient temp. operating max. | +70 °C |
| Storage temperature min. | -40 °C |
| Storage temperature max. | +80 °C |
| Environmental resistance | acc. to IEC 60068-2-14, -30, -33 and -78 |
| ROHS compliant | yes |
| REACH compliant | yes |

Panel cut-out to IEC 60947-5-1



X-ON Electronics

Largest Supplier of Electrical and Electronic Components

Click to view similar products for [Switch Actuators](#) category:

Click to view products by [C&K](#) manufacturer:

Other Similar products are found below :

[LW1B-M0](#) [61-1330.0](#) [61-2607.0/D](#) [680-4000-00](#) [704.411.018I](#) [704.412.0](#) [704.633.1](#) [704.730.1](#) [704.733.0](#) [79452124](#) [84-1221.7](#) [G6083](#)
[9PA24](#) [120-1867-000](#) [ADC-418G](#) [12MA7](#) [HW1M-L2222](#) [200-.704-00](#) [JS-10008](#) [JS-10083](#) [JS-10118](#) [JS-10133](#) [JS-116](#) [JS-150](#) [JS-555](#) [JS-](#)
[68](#) [JS-6-B](#) [JS-91](#) [JS-94](#) [22-211.011](#) [9001KXSDC](#) [KRR22NW3XX03](#) [SAPT654133](#) [2PA3](#) [STKLBU](#) [STKLWH](#) [SW53AA2](#) [302561](#) [3E-](#)
[10.4](#) [3E-12.0](#) [468-10243-001](#) [51-030.002](#) [51-030.005](#) [JM-13](#) [JS-10120](#) [JS-138-B](#) [JS-143-B](#) [JS-49](#) [JS-551](#) [JS-5-C](#)