

**RAFIX 22 QR - Pushbutton, non-illuminated, protruding lens, round collar, plastic front ring, momentary****1.30.240.301/0308****General information**

|                     |                 |
|---------------------|-----------------|
| Form of lens        | protruding lens |
| Color of lens       | opaque red      |
| Color of front ring | silver-grey     |
| Form of collar      | round           |

**Dimensions**

|   |            |
|---|------------|
| Dimensions of collar                            | ø 29.8 mm  |
| Overall height                                  | 12.45 mm   |
| Mounting depth with contact block without cable | 56.4 mm    |
| Mounting hole                                   | ø 22.3 mm  |
| Mounting grid                                   | 50 x 30 mm |

**Mechanical design**

|                  |           |
|------------------|-----------|
| Mounting         | ring nut  |
| Contact function | momentary |
| Illumination     | no        |

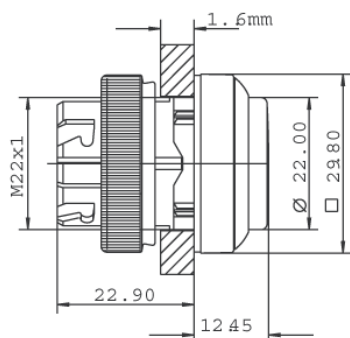
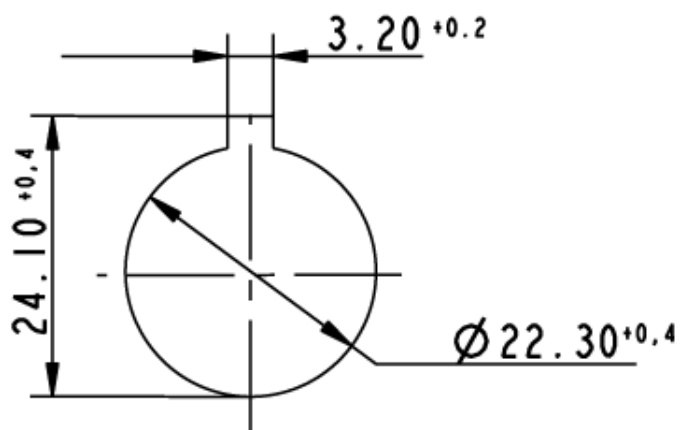
**Mechanical characteristics**

|                      |                                     |
|----------------------|-------------------------------------|
| Operating travel     | 4 mm                                |
| Operating force max. | approx. 5 N for 1 switching element |
| Robustness max.      | 100 N                               |

**Other specifications**

|                                      |  |
|--------------------------------------|--|
| Operating life (operations)          | 1,000,000 momentary / 500,000 latching cycle |
| Degree of protection from front side | IP65 (DIN EN 60529)                          |
| Ambient temp. operating min.         | -25 °C                                       |
| Ambient temp. operating max.         | +70 °C                                       |
| Storage temperature min.             | -40 °C                                       |
| Storage temperature max.             | +80 °C                                       |
| Environmental resistance             | acc. to IEC 60068-2-14, -30, -33 and -78     |
| ROHS compliant                       | yes  |
| REACH compliant                      | yes  |

Panel cut-out to IEC 60947-5-1



## X-ON Electronics

Largest Supplier of Electrical and Electronic Components

*Click to view similar products for [Pushbutton Switches](#) category:*

*Click to view products by [C&K](#) manufacturer:*

Other Similar products are found below :

[LW1L-M1C10V-A](#) [LW2L-A1C20M-GD](#) [LW2L-M1C20M-A](#) [60324L](#) [M7E-HRN2](#) [67021K512](#) [67081K512X](#) [701PB580](#) [719-5504-000](#)  
[MDPSSGLFS](#) [810KSV30B](#) [FLT 2U EE 01A](#) [MML21KA3ABK](#) [MML23KA3AC05K-001](#) [MML23KW3AA01W](#) [8418K2](#) [8646AB6X718UL](#)  
[8646ABUL](#) [FSDWH](#) [9001KXRK](#) [9001T8BK](#) [9533CD4+U574+U4922](#) [1203MRA](#) [A22EM01S](#) [A595](#) [1202A6](#) [12037A2ULCSA](#) [1203A2UL](#)  
[ABD122N-B](#) [1211390004](#) [ABN111-Y](#) [ABN400-R](#) [1211500044](#) [1211580012](#) [1212MRA](#) [1232A6NF](#) [RA3CSH6A](#) [1241.1183.7047](#)  
[1241.2511](#) [1241.3428](#) [1223A2ULCSA](#) [1223MRA](#) [1232AX2119](#) [1241.1183.8000](#) [1241.1183.8029](#) [1241.2506](#) [1241.2606](#) [12MA6](#)  
[1301940184](#) [RELBARF6X10\(PLASTIC\)](#)