

## RAFIX 22 QR - Keylock switch, round collar

### 1.30.245.222/0000

Included: Ring nut with claw.



#### General information

|                     |                 |
|---------------------|-----------------|
| Actuator            | Key             |
| Color of front ring | silver metallic |
| Form of collar      | round           |

#### Dimensions

|   |            |
|---|------------|
| Dimensions of collar                            | ø 29.8 mm  |
| Overall height                                  | 30.6 mm    |
| Mounting depth with contact block without cable | 56.4 mm    |
| Mounting hole                                   | ø 22.3 mm  |
| Mounting grid                                   | 50 x 30 mm |

#### Mechanical design

|                      |                 |
|----------------------|-----------------|
| Mounting             | ring nut        |
| Contact function     | latching        |
| Illumination         | no              |
| Lock                 | RONIS           |
| Wafers               | 4               |
| Lock type            | 455             |
| Main key             | no              |
| Symmetric key        | no              |
| Rotating angle       | 1 x 90°, form L |
| Key removal position | 0+1             |

#### Mechanical characteristics

|                      |                                     |
|----------------------|-------------------------------------|
| Operating force max. | approx. 5 N for 1 switching element |
| Torque max.          | 2 Nm                                |

#### Electrical characteristics

|                  |    |
|------------------|----|
| Protection class | II |
|------------------|----|

#### Other specifications

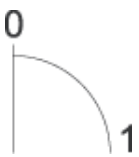
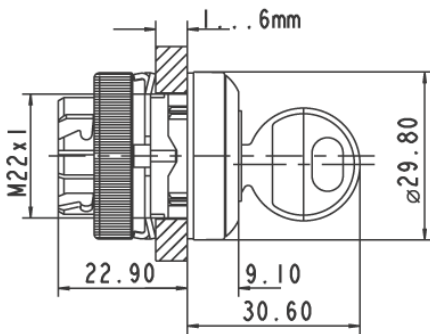
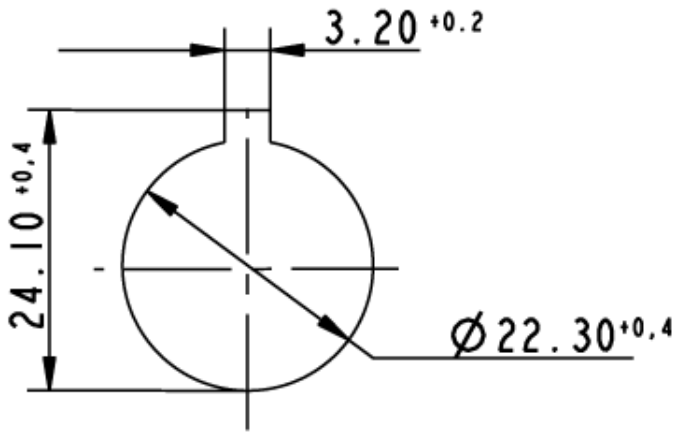
|                                      |   |
|--------------------------------------|---|
| Operating life (operations)          | 300,000 momentary / 50,000 latching cycle |
| Degree of protection from front side | IP65 (DIN EN 60529)                       |
| Ambient temp. operating min.         | -25 °C                                    |
| Ambient temp. operating max.         | +70 °C                                    |
| Storage temperature min.             | -40 °C                                    |
| Storage temperature max.             | +80 °C                                    |
| Environmental resistance             | acc. to IEC 60068-2-14, -30, -33 and -78  |

---

|                 |     |
|-----------------|-----|
| ROHS compliant  | yes |
| REACH compliant | yes |

---

Panel cut-out to IEC 60947-5-1



## X-ON Electronics

Largest Supplier of Electrical and Electronic Components

*Click to view similar products for [Industrial Panel Mount Indicators / Switch Indicators](#) category:*

*Click to view products by [C&K](#) manufacturer:*

Other Similar products are found below :

[LW1A-P1-GD](#) [LW1A-P1-W](#) [01-931.3](#) [01-152.025](#) [73.362.4028.0](#) [750-1520](#) [9001OA120](#) [A0142N5](#) [A3DT-500Y](#) [AL6M-LK3-R](#) [AL6M-P7P-A](#) [AOLQW-2B0600](#) [AP1M255-A](#) [APD106LN-G](#) [APD106LN-S](#) [APN1126-G](#) [APS122DN-W](#) [ASLWLD-G](#) [ASLWLD-R](#) [ATN2100](#) [AYLW4L-A](#) [18-237.035](#) [18-945](#) [HW1A-L1-GD](#) [HW1A-P2-GL](#) [HW1X-BM411-R](#) [HW2A-L1-GL](#) [HWAZ1N-OB](#) [PA2100/2](#) [PA2200/1](#) [PA2SHIELD](#) [PAMR25](#) [LA3P-1C03V-Y](#) [96-923.5](#) [A0244J2](#) [LSPD-120A](#) [LSPD-1Y](#) [LSPD-6A](#) [LSPD-6DA](#) [LSPD-6DW](#) [LSPD-6DY](#) [LSPD-6R](#) [LSPD-6W](#) [18-946](#) [AL6H-LK3-A](#) [AL6H-P4-JW](#) [AL6M-LK1-MG](#) [AP8M155-G](#) [APD106LN-W](#) [APN106L-O](#)