

**RAFIX 22 QR - Mushroom-headed pushbutton 40 mm, round collar, momentary**  
**1.30.246.502/0300**



#### General information

Actuator	mushroom
Color of mushroom	opaque red
Color of front ring	metal
Form of collar	round

#### Dimensions

Dimensions of collar	ø 29.8 mm
Overall height	20.1 mm
Mounting depth	56.4 mm
Mounting hole	ø 22.3 mm
Mounting grid	50 x 30 mm

#### Mechanical design

Mounting	ring nut
Contact function	momentary
Illuminability	no

#### Mechanical characteristics

Operating force max.	approx. 5 N for 1 switching element
Robustness max.	100 N

#### Electrical characteristics

Protection class	-
------------------	---

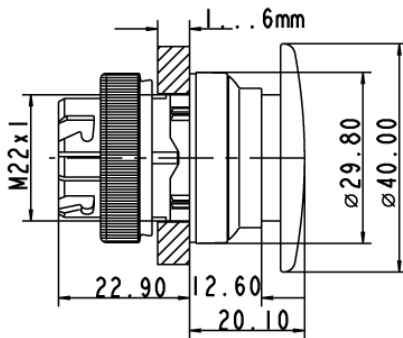
#### Other specifications

Operating life (operations)	1,000,000 cycle
Degree of protection from front side	IP65 (DIN EN 60529)
Ambient temp. operating min.	-25 °C
Ambient temp. operating max.	+70 °C
Storage temperature min.	-40 °C
Storage temperature max.	+80 °C
Environmental resistance	acc. to IEC 60068-2-14, -30, -33 and -78
ROHS compliant	yes
REACH compliant	yes

Panel cut-out to IEC 60947-5-1



metal



## X-ON Electronics

Largest Supplier of Electrical and Electronic Components

*Click to view similar products for [Switch Actuators](#) category:*

*Click to view products by [C&K](#) manufacturer:*

Other Similar products are found below :

[LW1B-A0L](#) [LW1B-M0](#) [680-4000-00](#) [704.012.618](#) [704.096.0](#) [704.411.018I](#) [704.412.0](#) [704.633.1](#) [704.730.1](#) [704.733.0](#) [84-1221.7](#) [862.8102](#)  
[G6083](#) [9PA24](#) [A0107X](#) [A019307](#) [ADC-418G](#) [12MA7](#) [ASDHHY-B](#) [HW1F-3G](#) [HW1M-L2222](#) [HW4S-31L](#) [200-.704-00](#) [JS-10008](#) [JS-](#)  
[10083](#) [JS-10118](#) [JS-10133](#) [JS-10277](#) [JS-10389](#) [JS-150](#) [JS-552](#) [JS-555](#) [JS-68](#) [JS-6-B](#) [JS-91](#) [JS-94](#) [22-211.011](#) [9001KXSDC](#) [92-458.500](#)  
[SAPT654133](#) [2PA3](#) [SW53AA2](#) [302561](#) [LW2L-A0](#) [3E-10.4](#) [468-10243-001](#) [51-030.005](#) [JM-13](#) [JS-10120](#) [JS-138-B](#)