

RAFIX 22 FS⁺ - Keylock switch, round collar

1.30.255.401/0100

Other lock variants available on request.



Included: 2 keys.

General information

Color of front ring	black
Form of collar	round

Dimensions

Dimensions of collar	ø 29.8 mm
Overall height	44.1 mm
Mounting depth	PCB 9.2 mm, QC 27 mm
Mounting hole	22.3 mm
Key grid	30 x 30 mm
Diameter of collar	29.8 mm

Mechanical design

Mounting	ring nut
Lock	Micromec
Contact function	latching
Wafers	5
Illuminability	no
Lock type	001
Number of locking positions	500
Main key	on request
Rotating angle	2 x 90°
Key removal position	0
Torque for nut ring	1.2 Nm

Mechanical characteristics

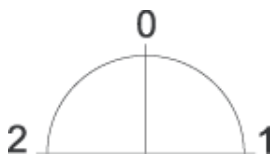
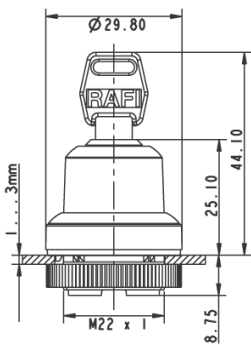
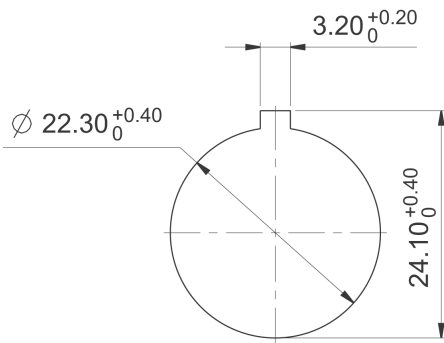
Torque max.	1.3 Nm
-------------	--------

Other specifications

Operating life	300,000 momentary / 50,000 latching / 30,000 with key removal cycle
B10	400,000 momentary / 65,000 latching / 40,000 with key removal cycle
Degree of protection from front side	IP65 (DIN EN 60529)
Ambient temp. operating min.	-25 °C
Ambient temp. operating max.	+70 °C
Storage temperature min.	-40 °C
Storage temperature max.	+80 °C

Environmental resistance	acc. to IEC 60068-2-14, -30, -33 and -78
ESD-strength lock / contact	15 kV
ESD-strength key / front panel	15 kV
Salt spray	IEC 600 68-2-11
ROHS compliant	yes
REACH compliant	yes

Panel cut-out to IEC 60947-5-1



X-ON Electronics

Largest Supplier of Electrical and Electronic Components

Click to view similar products for [Keylock Switches](#) category:

Click to view products by [C&K](#) manufacturer:

Other Similar products are found below :

[89496-09](#) [58J1007](#) [58J8A45-01B05N](#) [719-0201-000](#) [719-0202-000](#) [719-0702-000](#) [719-5504-000](#) [84800-04](#) [GKNC33L](#) [GKNC3L](#)
[PVA2OAH5](#) [HA1K-2C2VA-2](#) [14-235.022K](#) [AS6H-2K2A](#) [AS6M-2K1B](#) [AS6Q-2K2A](#) [AS6Q-3K2A](#) [1571487-1](#) [KEY-AS6](#) [KH3C-20C](#)
[8928K493](#) [2SWK131AL102](#) [AS6M-2K1A](#) [AS6Q-2K1PB](#) [51-401.036D](#) [51-414.036D](#) [HW1K-31BF20](#) [HW1K-3HF20](#) [Y1112-2027CLFT](#)
[51-378.AD](#) [51-404.036D](#) [51-405.036D](#) [1-1437597-8](#) [58J8A36-01B04N](#) [58M1422](#) [86945-05](#) [719-0204-000](#) [719-0205-000](#) [719-0801-000](#)
[719-0804-000](#) [719-0805-000](#) [88422-18](#) [58J8A90-01B02N](#) [58J8A90-01C02N](#) [58J9P36-01B09N](#) [58J8A36-01C03N](#) [GKRA3K1A2-F03-C](#)
[GKBB14L6](#) [14-236.025K1020](#) [GKFE16LXA2](#)