

RM Series Subminiature Rotary Switches



Features/Benefits

- Subminiature design saves space
- Screwdriver slot or extended shaft
- Positive detent
- RoHS compliant

Typical Applications

- Audio & visual equipment
- Consumer electronics
- Telecom equipment

Specifications

CONTACT RATING: 0.5A 24 V DC; 0.2A 48 V DC
 OPERATING LIFE: 2,000 cycles
 INSULATION RESISTANCE: 100 M Ω min. 500 V DC
 DIELECTRIC STRENGTH: 500 V AC for 1 minute
 OPERATING FORCE: 270 \pm 100 gf cm
 OPERATING TEMPERATURE: -40°C to 85°C

Materials

COVER: PA66
 BASE: PA6T
 ACTUATOR: PA66
 CONTACTS & TERMINALS: Brass with gold plate over nickel plate
 SPRING: Brass

NOTE: Specifications and materials listed above are for switches with standard options.
 For information on specific and custom switches, consult Customer Service Center.

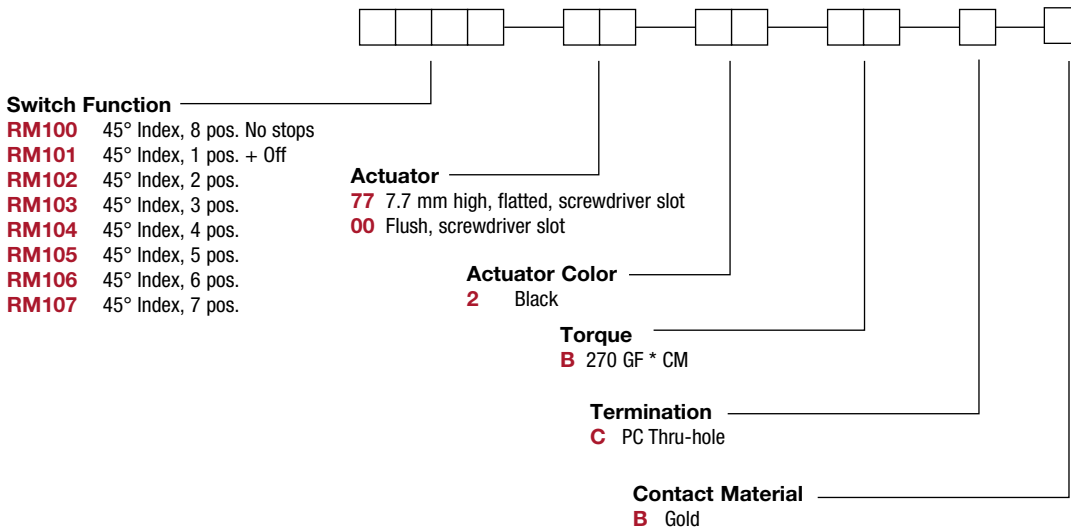


K

Rotary

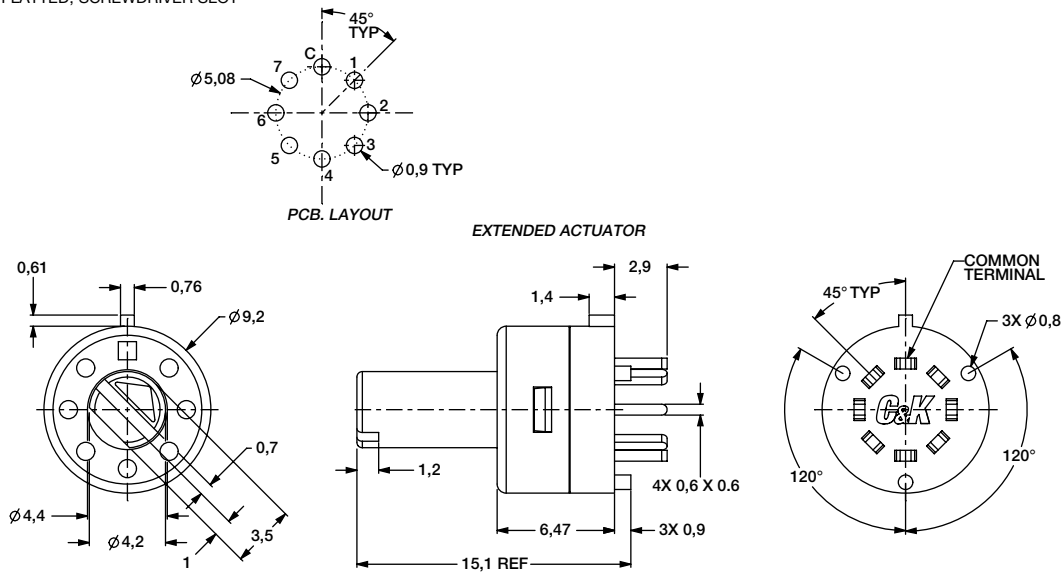
Build-A-Switch

To order, simply select desired option from each category and place in the appropriate box. Available options are shown and described on pages K-30 thru K-32. For additional options not shown in catalog, consult Customer Service Center.

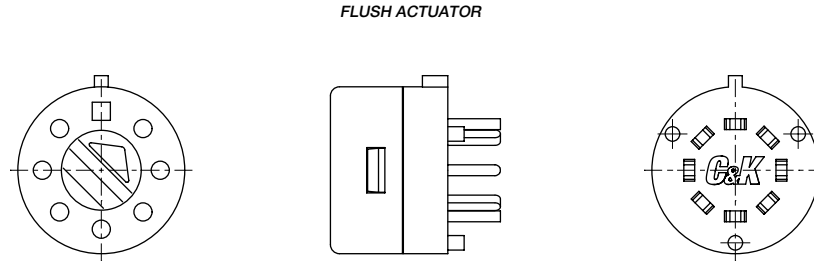


RM Series Subminiature Rotary Switches

77 7.7 MM HIGH, FLATTED, SCREWDRIVER SLOT



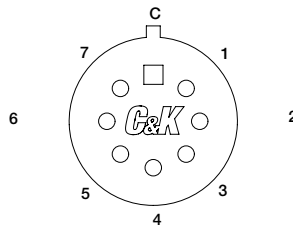
00 FLUSH, SCREWDRIVER SLOT



ELECTRICAL SCHEMATIC - RM SERIES SWITCHES

| SWITCH FUNCTION | TRAVEL POSITION 0° | TRAVEL POSITION 45° | TRAVEL POSITION 90° | TRAVEL POSITION 135° | TRAVEL POSITION 180° | TRAVEL POSITION 225° | TRAVEL POSITION 270° | TRAVEL POSITION 315° |
|-----------------|--------------------|---------------------|---------------------|----------------------|----------------------|----------------------|----------------------|----------------------|
| RM100 | C-C(OFF) | C-1 | C-2 | C-3 | C-4 | C-5 | C-6 | C-7 |
| RM101 | C-C(OFF) | X | X | X | X | X | X | C-7 |
| RM102 | X | C-1 | C-2 | X | X | X | X | X |
| RM103 | X | C-1 | C-2 | C-3 | X | X | X | X |
| RM104 | X | C-1 | C-2 | C-3 | C-4 | X | X | X |
| RM105 | X | C-1 | C-2 | C-3 | C-4 | C-5 | X | X |
| RM106 | X | C-1 | C-2 | C-3 | C-4 | C-5 | C-6 | X |
| RM107 | X | C-1 | C-2 | C-3 | C-4 | C-5 | C-6 | C-7 |

TERMINAL ID NUMBERS ARE SHOWN FOR REFERENCE ONLY AND ARE NOT MARKED ON BOTTOM OF THE SWITCH



EXTERIOR KEY TAB SHOWN IDENTIFIES "C" (COMMON TERMINAL)



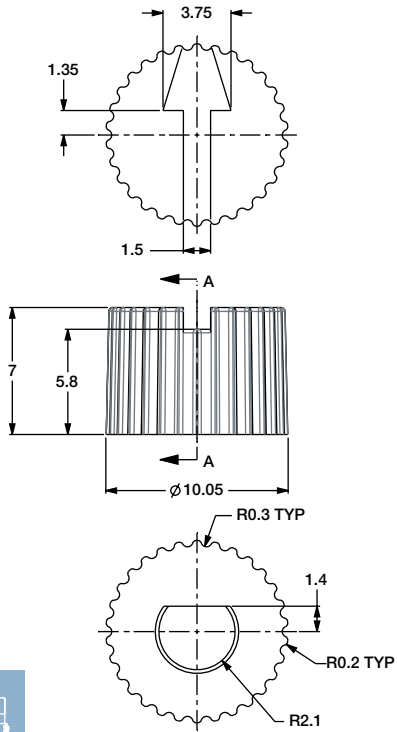
K

Rotary

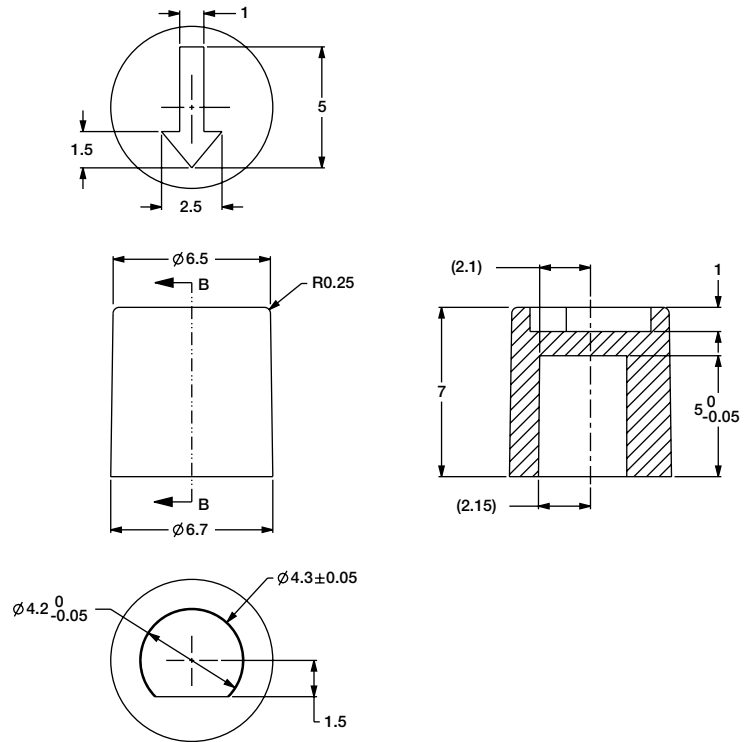
RM Series Subminiature Rotary Switches

KNOBS

297F02000



296F02000



K

Rotary

X-ON Electronics

Largest Supplier of Electrical and Electronic Components

Click to view similar products for [Switch Fixings](#) category:

Click to view products by [C&K](#) manufacturer:

Other Similar products are found below :

[893102000](#) [00-5150](#) [LZZ1A](#) [0098.9234](#) [61-9451.0](#) [M2PA-5011](#) [630155](#) [635401](#) [6PA113](#) [6PA147-E6](#) [6PA148-E6](#) [6PA32](#) [6PA9](#) [700109](#)
[700303A56](#) [700C1GRY](#) [700C2GRN](#) [704-6001](#) [704.960.9](#) [704.965.2](#) [704.965.6](#) [704.966.0](#) [7089-3](#) [710082-B11](#) [71M1048](#) [757200264](#)
[764300000](#) [MHU35](#) [MHU37](#) [807039-1](#) [825.003.011](#) [825.005.011](#) [825.053.011](#) [825.055.011](#) [826.000.071](#) [827.020.011](#) [827.400.021](#)
[835.900.023](#) [MML52C10C](#) [MML52E10C](#) [MML92HGH](#) [MML93K](#) [84211M02CNNS](#) [84212M02CNNS](#) [84217A8.0LNOS](#) [842.500.011](#)
[843187-000](#) [843487-000](#) [84-901](#) [84-9420](#)