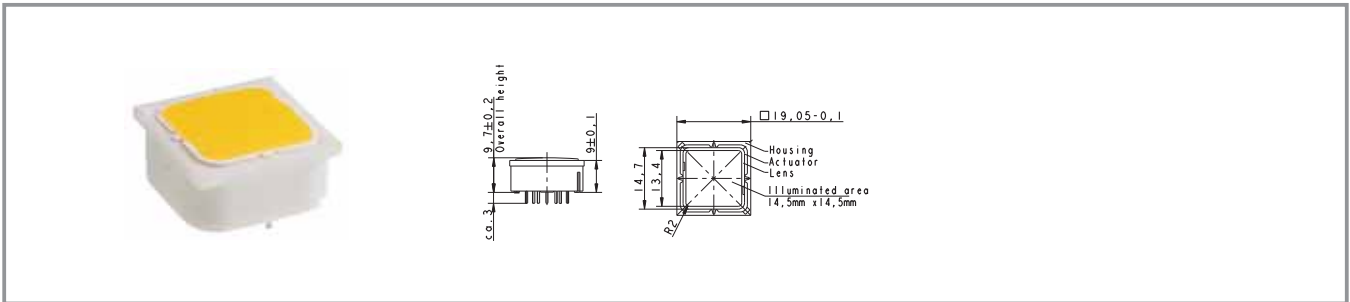


RF 19 - Short-travel keyswitch, fully illuminated with 2 LED



| Contact materials | Illumination | Colour of lens | LED colour | LED type | Order no. |
|-------------------|----------------------------|----------------|------------|----------|--------------------------|
| Au | fully illuminated 2 LED | red | red | 2 mm | 3.14.002.011/0000 |
| Au | fully illuminated 2 LED | green | green | 2 mm | 3.14.002.012/0000 |
| Au | fully illuminated 2 LED | opaque white | green | 2 mm | 3.14.002.901/0000 |
| Au | fully illuminated 2 LED | yellow | yellow | 2 mm | 3.14.002.013/0000 |
| Au | fully illuminated 2 LED | orange | yellow | 2 mm | 3.14.002.014/0000 |
| Au | fully illuminated 2 LED | blue | blue | 2 mm | 3.14.002.015/0000 |
| Ag | fully illuminated 2 LED | red | red | 2 mm | 3.14.002.021/0000 |
| Ag | fully illuminated 2 LED | green | green | 2 mm | 3.14.002.022/0000 |
| Ag | fully illuminated 2 LED | yellow | yellow | 2 mm | 3.14.002.023/0000 |
| Ag | fully illuminated 2 LED | orange | yellow | 2 mm | 3.14.002.024/0000 |
| Ag | fully illuminated 2 LED | blue | blue | 2 mm | 3.14.002.025/0000 |
| Ag | fully illuminated 2 LED | opaque white | green | 2 mm | 3.14.002.944/0000 |
| Ag | fully illuminated 2 LED | white | green | 2 mm | 3.14.002.026/0000 |
| Ag | fully illuminated 2 LED | white | yellow | 2 mm | 3.14.002.027/0000 |

Technical data see page 4 - 66

Technical data of LED see separate page at the beginning of this chapter.

4

RF

X-ON Electronics

Largest Supplier of Electrical and Electronic Components

Click to view similar products for [Tactile Switches](#) category:

Click to view products by [C&K](#) manufacturer:

Other Similar products are found below :

[5GTH92001](#) [1-1977120-4](#) [ADTSA62NV](#) [ADTSA62RV](#) [ADTSA63KV](#) [ADTSA644NV](#) [ADTSMW66NV](#) [ADTSMW67RV](#) [B3F-3123](#) [B3F-6055A](#) [B3F-B32-01-KIT](#) [1977177-8](#) [1977266-1](#) [ADTS644KV](#) [ADTSA61RV](#) [ADTSA62KV](#) [ADTSA63NV](#) [ADTSA63RV](#) [ADTSM21NSVTR](#) [ADTSM32NVTR](#) [ADTSM63SVTR](#) [ADTSM644KVTR](#) [ADTSMW64RV](#) [ADTSMW69NV](#) [FSMRA4JHA04](#) [GS4.70F300QP](#) [3ESH9R](#) [506E00201](#) [MJTP1164TR](#) [3FTL600RAS](#) [3FTL640RAS](#) [Y96K132V0FPLFS](#) [101-TS5022T1601-EV](#) [5GSH92001](#) [KSJ0A231](#) [80SH LFG](#) [ADTSM31NVTR](#) [EVQ-P1D05K](#) [MJTP1162TR](#) [ADTSM63KV](#) [2-1977120-7](#) [TSJW-5.2-260-TR](#) [KMT011MNGJLHS](#) [B3WN6002S](#) [ADTSA648RV](#) [70-201.0](#) [ADTSG648NV](#) [ADTSM62KSVTR](#) [ATA600VTR](#) [ADTSG66RV](#) [ADTS61NV](#)