

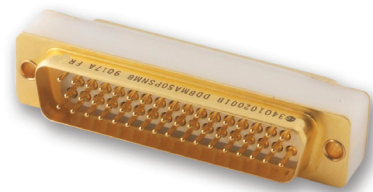
3401-020 D*BMA for Connector Savers D*M/D*MA

Features/Benefits

- **ESA/ESCC 3401/020 (D*BMA connectors saver)**
- **Same Savers Connectors for D*MA and D*M connectors**
- **Standard and High Density available**
- **All size available from 9 to 104 ways**

Typical Applications

- **Payloads and harnesses testings**
- **To be used when multiple mating/unmating cycles have to be managed**



Connectors used as connector savers in test equipment applications where more than normal mating and unmating would soon degrade a permanently mounted connector

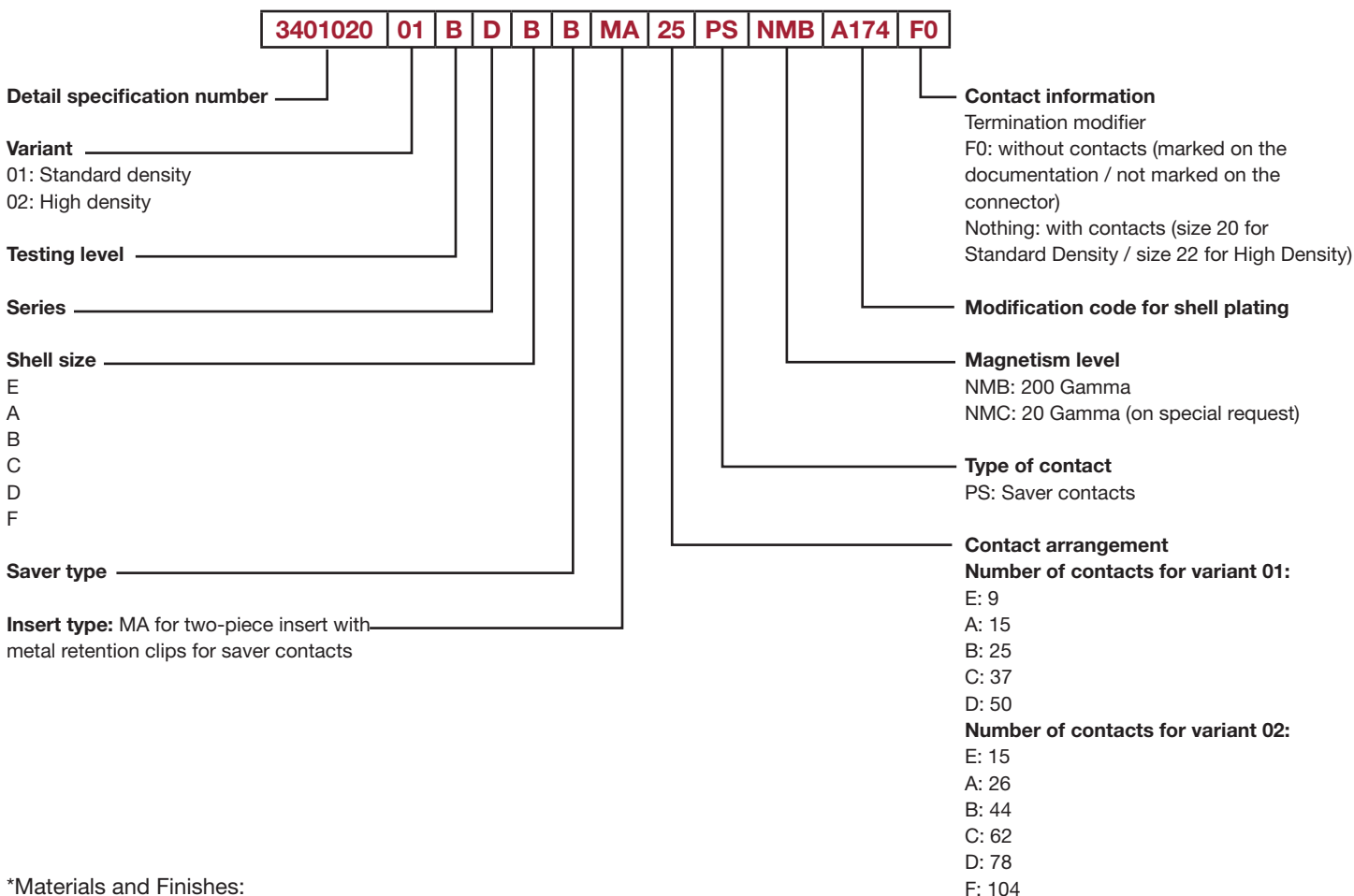
It features the rear release contact retention assembly, making it field repairable

Normally supplied with the contacts installed, it can be supplied without contacts (suffix F0 in the description, not marked on the connector)

Male/Female type contacts, size 20 for standard density, size 22 for high density

Packaging unit: 1 piece (plastic bag)

How to order – ESA/ESCC Quality Level



*Materials and Finishes:

Shell material: Aluminium alloy

Shell finish A174: 25,4µm (1000µin) min electroless Nickel (Modification code A174)

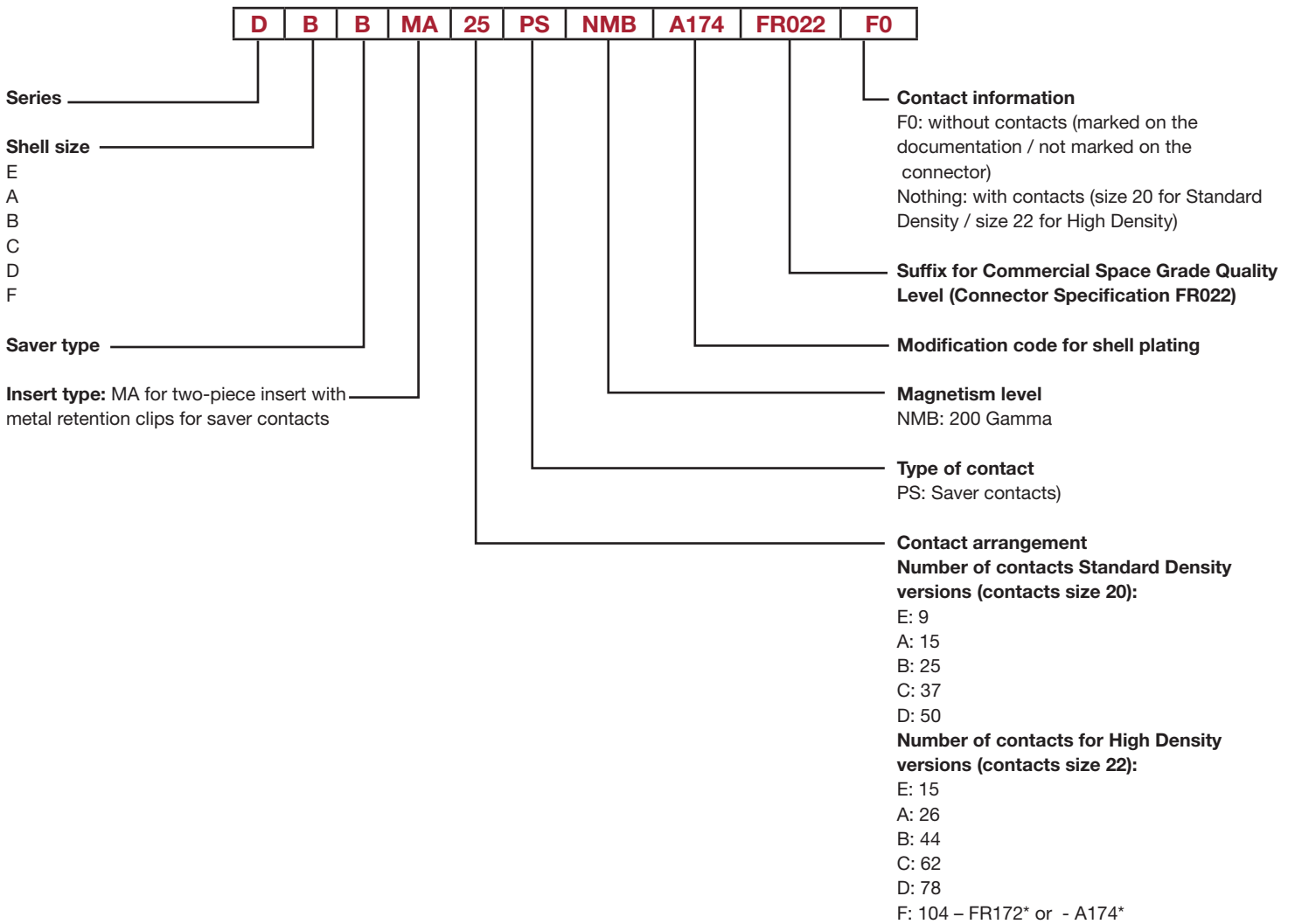
Shell finish FR172: 0.70µm (28µm) min Gold over 25.4µm (1000µm) electroless Nickel (Modification code FR172)



*Dimensions are shown in mm (inch)
Dimensions subject to change*

3401-020 D*BMA for Connector Savers D*M/D*MA

How to order – FR022 Quality Level



*Materials and Finishes:

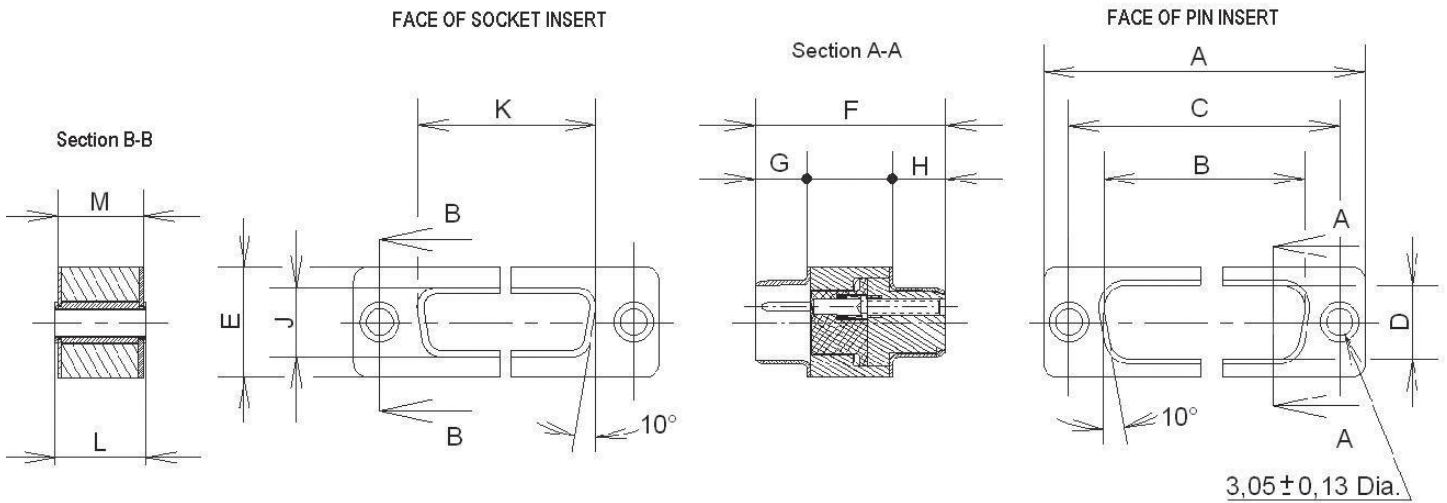
Shell material: Aluminium alloy

Shell finish A174: 25,4µm (1000µin) min electroless Nickel (Modification code A174)

Shell finish FR172: 0.70µm (28µm) min Gold over 25.4µm (1000µm) electroless Nickel (Modification code FR172)

3401-020 D*BMA for Connector Savers D*M/D*MA

Specific Dimensions



Shell Size mm	A ± 0,38	B ± 0,13	C ± 0,13	D ± 0,13	E ± 0,38	F ± 0,25	G ± * / **	H ± 0,13	J ± 0,13	K ± 0,13	L ± 0,38	M ± 0,25
E	30,81	16,92	24,99	8,36	12,55	21,87	5,94	6,18	7,90	16,33	10,59	9,86
A	39,14	25,25	33,32	8,36	12,55	21,87	5,94	6,18	7,90	24,66	10,59	9,86
B	53,04	38,96	47,04	8,36	12,55	21,97	5,84	6,18	7,90	38,38	10,59	9,86
C	69,32	55,42	63,50	8,36	12,55	21,97	5,84	6,18	7,90	54,84	10,59	9,86
D	66,93	52,81	61,11	11,07	15,37	21,97	5,84	6,18	10,74	52,42	10,59	9,86
F	69,32	56,18	63,50	12,77	17,30	21,97	5,84	6,18	12,32	55,60	10,59	9,86

* ± 0,12 / ** ± 0,15

Shell Size inch	A ± .015	B ± .005	C ± .005	D ± .005	E ± .015	F ± .010	G ± * / **	H ± .005	J ± .005	K ± .005	L ± .015	M ± .010
E	1.213	.666	.984	.329	.494	.861	.234*	.243	.311	.643	.417	.388
A	1.541	.994	1.312	.329	.494	.861	.234*	.243	.311	.971	.417	.388
B	2.088	1.534	1.852	.329	.494	.865	.230**	.243	.311	1.511	.417	.388
C	2.729	2.182	2.500	.329	.494	.865	.230**	.243	.311	2.159	.417	.388
D	2.635	2.079	2.406	.436	.605	.865	.230**	.243	.423	2.064	.417	.388
F	2.729	2.212	2.500	.503	.681	.865	.230**	.243	.485	2.189	.417	.388

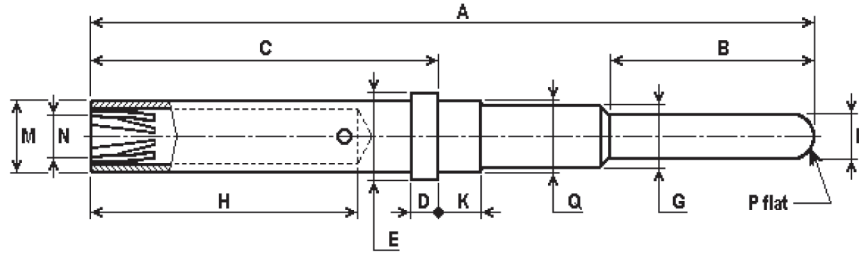
* ± .005 / ** ± .006

Weights

	Shell Size	Standard Density without contacts	Standard Density with contacts	High Density without contacts	High Density with contacts
Max Weight (grams) per contact			0.25		0.16
Max Weight (grams) per connector saver	E	9.90	12.15	9.50	11.90
	A	13.70	17.45	13.20	17.36
	B	18.40	24.65	17.80	24.84
	C	23.90	33.15	23.20	33.12
	D	26.80	39.30	26.10	38.58
	F	N.A.	N.A.	30,50	47,14

3401-021 D*BMA for Connector Savers D*M/D*MA – Savers Contacts

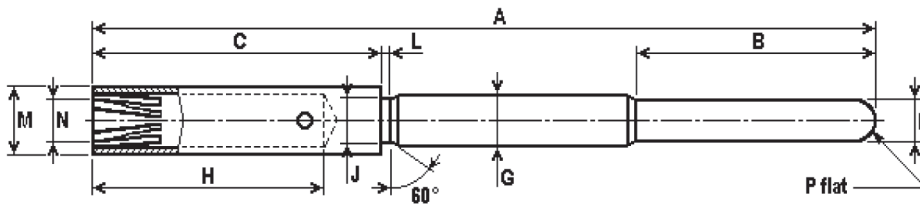
Contact Size 20 for Standard density connectors



mm	A	B	C	D	∅ E	∅ F	∅ G	H	K	∅ M	∅ N	∅ P	∅ Q
Min	19,76	5,50	9,55	0,74	2,08	0,99	1,65	7,60	1,10	1,80	1,07	-	1,73
Max	20,12	5,80	9,63	0,81	2,12	1,04	1,73	7,85	1,20	1,85	1,14	0,30	1,78

(inch)	A	B	C	D	∅ E	∅ F	∅ G	H	K	∅ M	∅ N	∅ P	∅ Q
Min	.778	.217	.376	.029	.082	.039	.065	.299	.043	.071	.042	-	.068
Max	.792	.228	.379	.032	.083	.041	.068	.309	.047	.073	.045	.012	.070

Contact Size 22 for high density connectors



Mm	A	B	C	∅ F	∅ G	H	∅ M	∅ N	∅ P	∅ J	L
Min	19,50	5,95	7,28	0,75	1,17	5,55	1,52	0,78	-	0,91	0,20
Max	19,95	6,05	7,34	0,77	1,21	5,85	1,57		0,20	1,01	0,25

(Inch)	A	B	C	∅ F	∅ G	H	∅ M	∅ N	∅ P	∅ J	L
Min	.768	.234	.287	.029	.046	.219	.060	.031	-	.036	.008
Max	.785	.238	.289	.030	.048	.230	.062		.008	.040	.010

Residual magnetism level NMB (200 Gamma max)
For other residual magnetism level, consult factory

Packaging unit: 250 pieces (plastic bag)

Contacts for savers connectors

Size	ESA/ESCC Quality Level		FR022 Quality Level	
	Description	Part Number	Description	Part Number
20	340102101B	C031-8991-101H	031-8991-101-FR022	C031-8991-101D
22	340102102B	C031-8992-101H	031-8992-101-FR022	C031-8992-101D

Size 20 for standard density connectors
Size 22 for high density connectors



Dimensions are shown in mm (inch)
Dimensions subject to change



*Dimensions are shown in mm (inch)
Dimensions subject to change*



*Dimensions are shown in mm (inch)
Dimensions subject to change*



*Dimensions are shown in mm (inch)
Dimensions subject to change*

X-ON Electronics

Largest Supplier of Electrical and Electronic Components

Click to view similar products for [D-Sub Standard Connectors](#) category:

Click to view products by [C&K](#) manufacturer:

Other Similar products are found below :

[56F711-015](#) [012-9507-004](#) [LV242999-142T12](#) [015-0341-000](#) [015-0349-000](#) [015-0372-005](#) [015-0372-008](#) [015-8755-001](#) [020419-0104](#) [012-0467-000](#) [012-0515-000](#) [012-9507-034](#) [012-9507-114](#) [020745-0008](#) [609-25P](#) [CT2-14S-2PCA34](#) [CT2-18-11PCAU](#) [CT2-36-15SC](#) [CT6-14S-2SC](#) [CT6E14SA7SC](#) [CT6E22-14PC](#) [CT6E22-14PS](#) [CT6E22-22PS](#) [M83513/01-FC](#) [M85049/48-3-2F](#) [6STD09PCM99B70X](#) [6STD09SCM99B30X](#) [6STD09SCT99S40X](#) [6STD15PCT99S40X](#) [6STD15SCM99B30X](#) [6STD15SCT99S40X](#) [6STF09PCM05B70X](#) [7-135760-9](#) [MC11E-10-6SN](#) [747552-3](#) [MD1-21PS](#) [MDM-15SCBRM7-F222](#) [MDM96517-699](#) [MDM96521-744](#) [MDVB1-21SL1](#) [MIK0-1-7SH003](#) [MIKQ6-7SH076](#) [MIKQ7-7PH077](#) [MIKQ7-7PH11](#) [MIKQ7-7PH32](#) [MIKQ9-7PH003](#) [MJSV-28SL61](#) [MKJ4A1F14-55S](#) [8-135760-3](#) [8STD09PCM99B30X](#)