

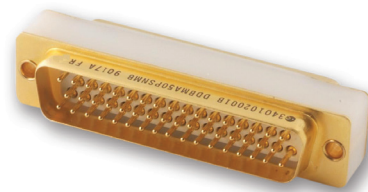
3401-020 D*BMA for Connector Savers D*M/D*MA

Features/Benefits

- **ESA/ESCC 3401/020 (D*BMA connectors saver)**
- **Same Savers Connectors for D*MA and D*M connectors**
- **Standard and High Density available**
- **All size available from 9 to 104 ways**

Typical Applications

- **Payloads and harnesses testings**
- **To be used when multiple mating/unmating cycles have to be managed**



Connectors used as connector savers in test equipment applications where more than normal mating and unmating would soon degrade a permanently mounted connector

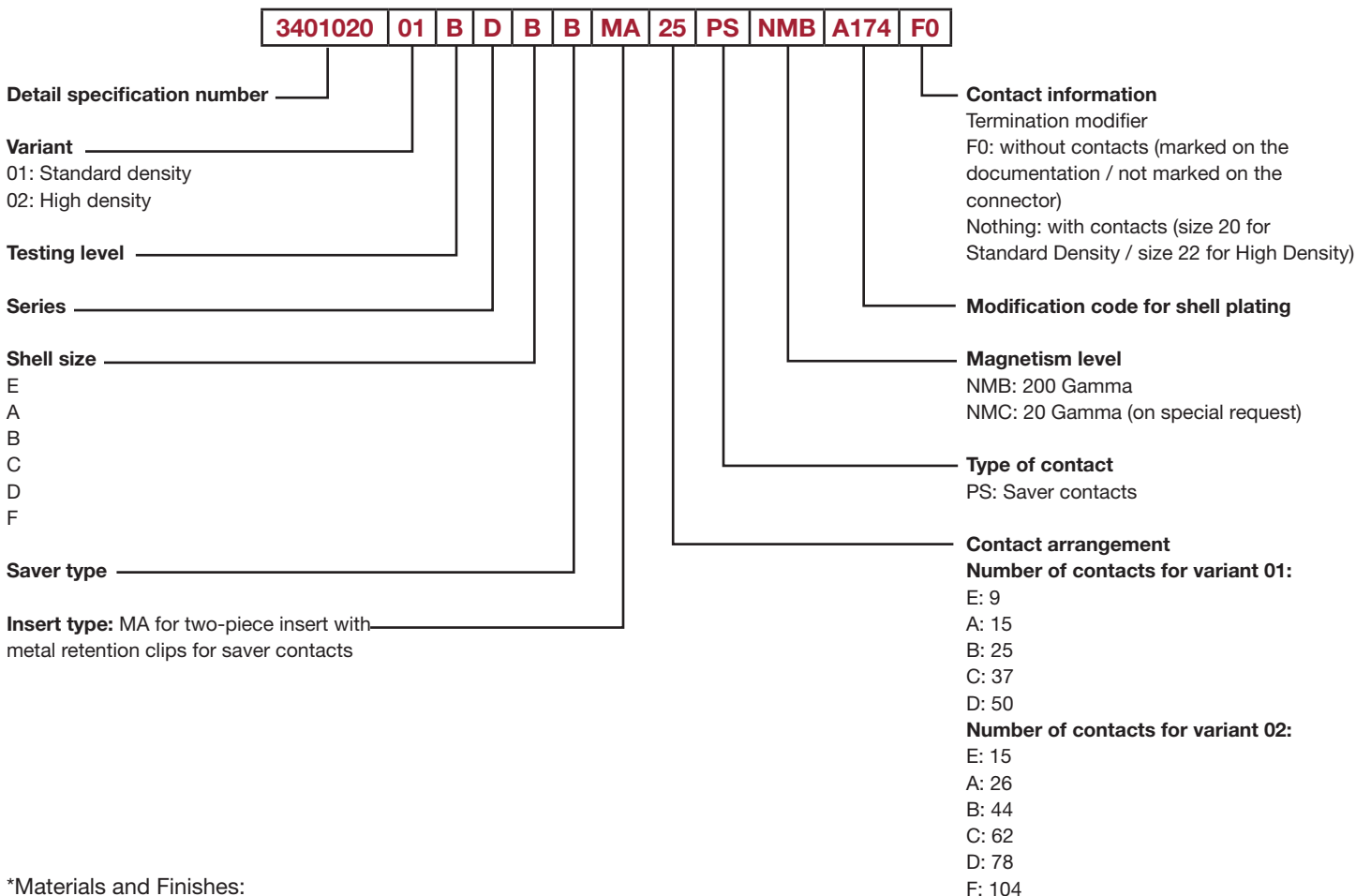
It features the rear release contact retention assembly, making it field repairable

Normally supplied with the contacts installed, it can be supplied without contacts (suffix F0 in the description, not marked on the connector)

Male/Female type contacts, size 20 for standard density, size 22 for high density

Packaging unit: 1 piece (plastic bag)

How to order – ESA/ESCC Quality Level



*Materials and Finishes:

Shell material: Aluminium alloy

Shell finish A174: 25,4µm (1000µin) min electroless Nickel (Modification code A174)

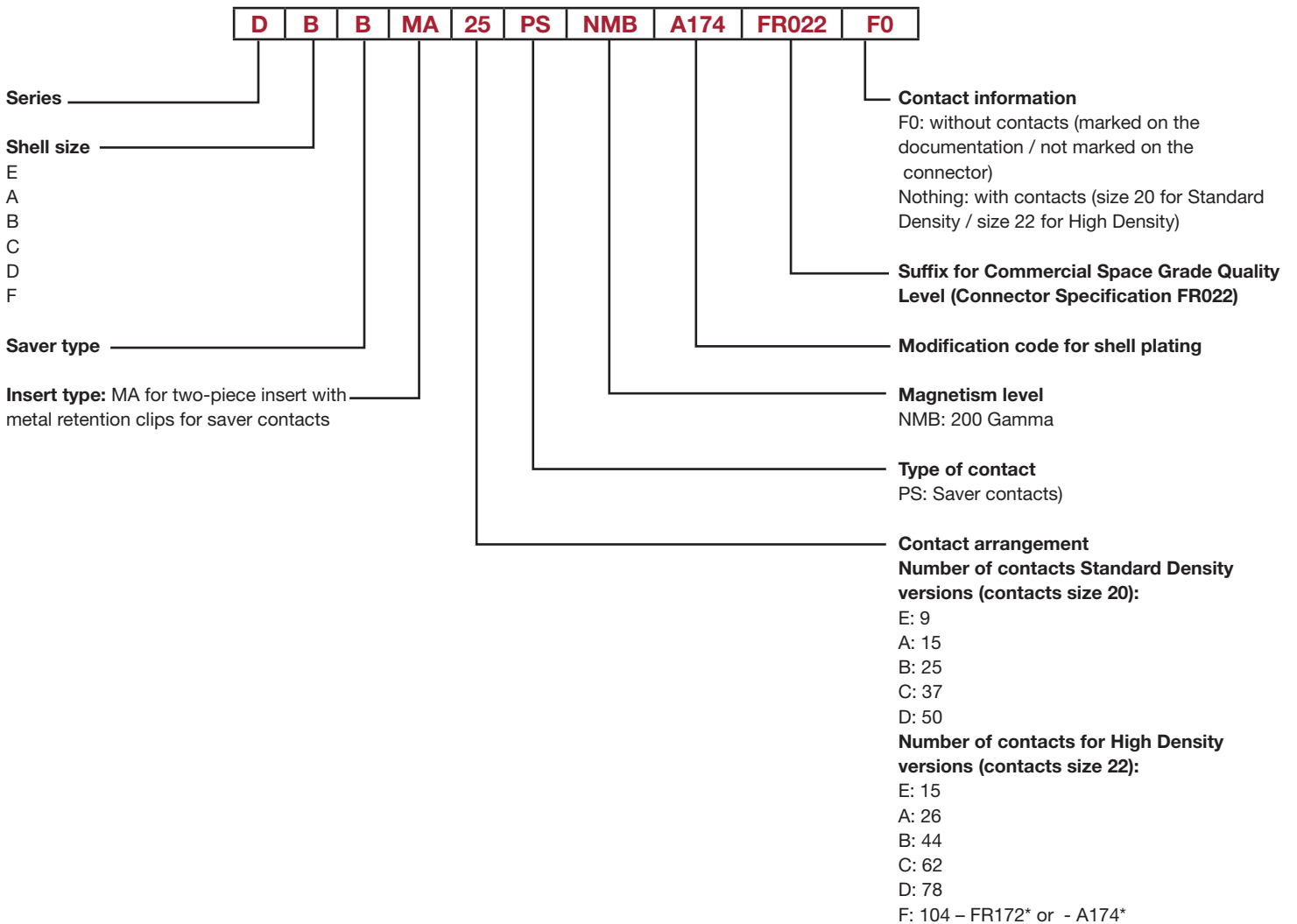
Shell finish FR172: 0.70µm (28µm) min Gold over 25.4µm (1000µm) electroless Nickel (Modification code FR172)



Dimensions are shown in mm (inch)
Dimensions subject to change

3401-020 D*BMA for Connector Savers D*M/D*MA

How to order – FR022 Quality Level



*Materials and Finishes:

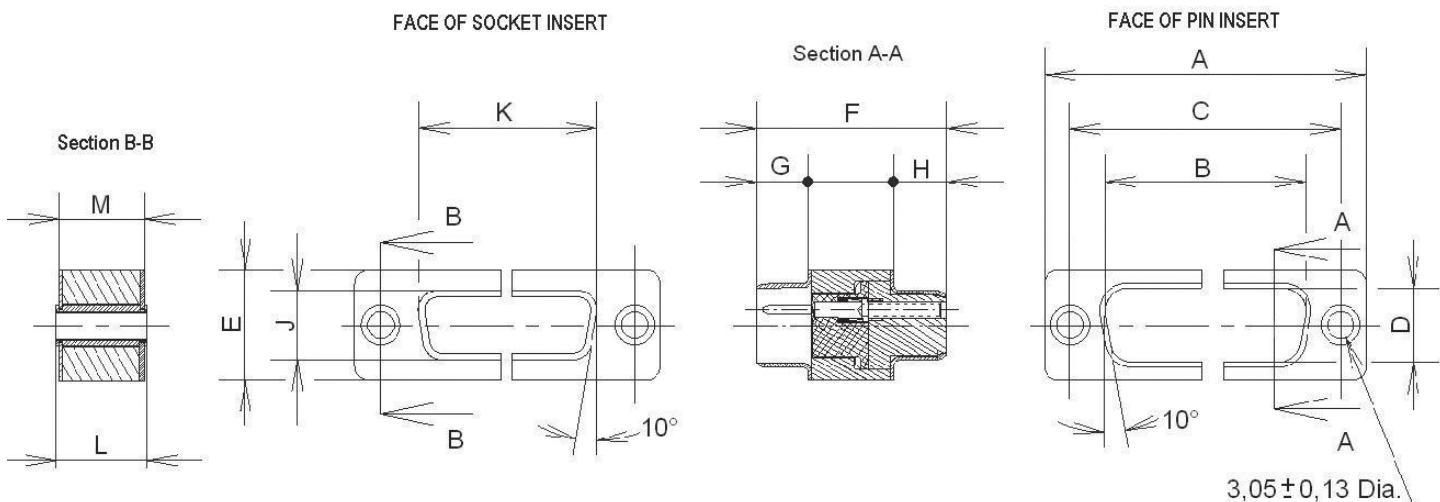
Shell material: Aluminium alloy

Shell finish A174: 25,4µm (1000µin) min electroless Nickel (Modification code A174)

Shell finish FR172: 0.70µm (28µm) min Gold over 25.4µm (1000µm) electroless Nickel (Modification code FR172)

3401-020 D*BMA for Connector Savers D*M/D*MA

Specific Dimensions



| Shell Size mm | A ± 0,38 | B ± 0,13 | C ± 0,13 | D ± 0,13 | E ± 0,38 | F ± 0,25 | G ± * / ** | H ± 0,13 | J ± 0,13 | K ± 0,13 | L ± 0,38 | M ± 0,25 |
|------------------|-------------|-------------|-------------|-------------|-------------|-------------|---------------|-------------|-------------|-------------|-------------|-------------|
| E | 30,81 | 16,92 | 24,99 | 8,36 | 12,55 | 21,87 | 5,94 | 6,18 | 7,90 | 16,33 | 10,59 | 9,86 |
| A | 39,14 | 25,25 | 33,32 | 8,36 | 12,55 | 21,87 | 5,94 | 6,18 | 7,90 | 24,66 | 10,59 | 9,86 |
| B | 53,04 | 38,96 | 47,04 | 8,36 | 12,55 | 21,97 | 5,84 | 6,18 | 7,90 | 38,38 | 10,59 | 9,86 |
| C | 69,32 | 55,42 | 63,50 | 8,36 | 12,55 | 21,97 | 5,84 | 6,18 | 7,90 | 54,84 | 10,59 | 9,86 |
| D | 66,93 | 52,81 | 61,11 | 11,07 | 15,37 | 21,97 | 5,84 | 6,18 | 10,74 | 52,42 | 10,59 | 9,86 |
| F | 69,32 | 56,18 | 63,50 | 12,77 | 17,30 | 21,97 | 5,84 | 6,18 | 12,32 | 55,60 | 10,59 | 9,86 |

* ± 0,12 / ** ± 0,15

| Shell Size inch | A ± .015 | B ± .005 | C ± .005 | D ± .005 | E ± .015 | F ± .010 | G ± * / ** | H ± .005 | J ± .005 | K ± .005 | L ± .015 | M ± .010 |
|--------------------|-------------|-------------|-------------|-------------|-------------|-------------|---------------|-------------|-------------|-------------|-------------|-------------|
| E | 1.213 | .666 | .984 | .329 | .494 | .861 | .234* | .243 | .311 | .643 | .417 | .388 |
| A | 1.541 | .994 | 1.312 | .329 | .494 | .861 | .234* | .243 | .311 | .971 | .417 | .388 |
| B | 2.088 | 1.534 | 1.852 | .329 | .494 | .865 | .230** | .243 | .311 | 1.511 | .417 | .388 |
| C | 2.729 | 2.182 | 2.500 | .329 | .494 | .865 | .230** | .243 | .311 | 2.159 | .417 | .388 |
| D | 2.635 | 2.079 | 2.406 | .436 | .605 | .865 | .230** | .243 | .423 | 2.064 | .417 | .388 |
| F | 2.729 | 2.212 | 2.500 | .503 | .681 | .865 | .230** | .243 | .485 | 2.189 | .417 | .388 |

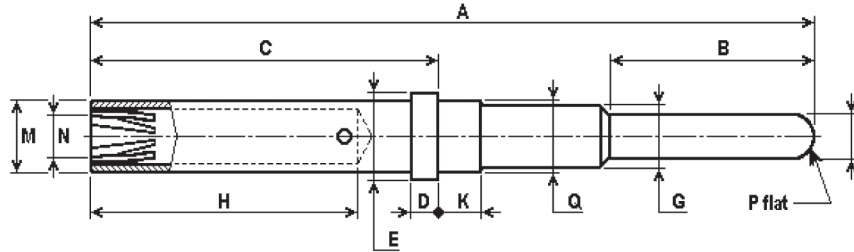
* ± .005 / ** ± .006

Weights

| | Shell Size | Standard Density without contacts | Standard Density with contacts | High Density without contacts | High Density with contacts |
|---|------------|--------------------------------------|-----------------------------------|----------------------------------|-------------------------------|
| Max Weight (grams) per contact | | | 0.25 | | 0.16 |
| Max Weight (grams) per connector saver | E | 9.90 | 12.15 | 9.50 | 11.90 |
| | A | 13.70 | 17.45 | 13.20 | 17.36 |
| | B | 18.40 | 24.65 | 17.80 | 24.84 |
| | C | 23.90 | 33.15 | 23.20 | 33.12 |
| | D | 26.80 | 39.30 | 26.10 | 38.58 |
| | F | N.A. | N.A. | 30,50 | 47,14 |

3401-021 D*BMA for Connector Savers D*M/D*MA – Savers Contacts

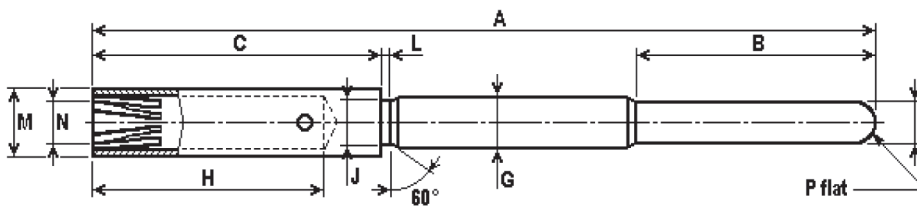
Contact Size 20 for Standard density connectors



| mm | A | B | C | D | ∅ E | ∅ F | ∅ G | H | K | ∅ M | ∅ N | ∅ P | ∅ Q |
|-----|-------|------|------|------|------|------|------|------|------|------|------|------|------|
| Min | 19,76 | 5,50 | 9,55 | 0,74 | 2,08 | 0,99 | 1,65 | 7,60 | 1,10 | 1,80 | 1,07 | - | 1,73 |
| Max | 20,12 | 5,80 | 9,63 | 0,81 | 2,12 | 1,04 | 1,73 | 7,85 | 1,20 | 1,85 | 1,14 | 0,30 | 1,78 |

| (inch) | A | B | C | D | ∅ E | ∅ F | ∅ G | H | K | ∅ M | ∅ N | ∅ P | ∅ Q |
|--------|------|------|------|------|------|------|------|------|------|------|------|------|------|
| Min | .778 | .217 | .376 | .029 | .082 | .039 | .065 | .299 | .043 | .071 | .042 | - | .068 |
| Max | .792 | .228 | .379 | .032 | .083 | .041 | .068 | .309 | .047 | .073 | .045 | .012 | .070 |

Contact Size 22 for high density connectors



| Mm | A | B | C | ∅ F | ∅ G | H | ∅ M | ∅ N | ∅ P | ∅ J | L |
|-----|-------|------|------|------|------|------|------|------|------|------|------|
| Min | 19,50 | 5,95 | 7,28 | 0,75 | 1,17 | 5,55 | 1,52 | 0,78 | - | 0,91 | 0,20 |
| Max | 19,95 | 6,05 | 7,34 | 0,77 | 1,21 | 5,85 | 1,57 | | 0,20 | 1,01 | 0,25 |

| (Inch) | A | B | C | ∅ F | ∅ G | H | ∅ M | ∅ N | ∅ P | ∅ J | L |
|--------|------|------|------|------|------|------|------|------|------|------|------|
| Min | .768 | .234 | .287 | .029 | .046 | .219 | .060 | .031 | - | .036 | .008 |
| Max | .785 | .238 | .289 | .030 | .048 | .230 | .062 | | .008 | .040 | .010 |

Residual magnetism level NMB (200 Gamma max)
For other residual magnetism level, consult factory

Packaging unit: 250 pieces (plastic bag)

Contacts for savers connectors

| Size | ESA/ESCC Quality Level | | FR022 Quality Level | |
|------|------------------------|----------------|---------------------|----------------|
| | Description | Part Number | Description | Part Number |
| 20 | 340102101B | C031-8991-101H | 031-8991-101-FR022 | C031-8991-101D |
| 22 | 340102102B | C031-8992-101H | 031-8992-101-FR022 | C031-8992-101D |

Size 20 for standard density connectors
Size 22 for high density connectors



Dimensions are shown in mm (inch)
Dimensions subject to change

www.ckswitches.com
Rev. 12APR19



*Dimensions are shown in mm (inch)
Dimensions subject to change*



*Dimensions are shown in mm (inch)
Dimensions subject to change*



*Dimensions are shown in mm (inch)
Dimensions subject to change*

X-ON Electronics

Largest Supplier of Electrical and Electronic Components

Click to view similar products for [D-Sub Contacts](#) category:

Click to view products by [C&K](#) manufacturer:

Other Similar products are found below :

[D02-22-26S-10000](#) [8656352067LF](#) [131A15029X](#) [132A11019X](#) [132J22039X](#) [132A11029X](#) [132A11049X](#) [1757912-1](#) [188582-000](#)
[162A11889X](#) [1757913-1](#) [212558-1](#) [030-1955-000](#) [053744-0098](#) [053744-0099](#) [053745-0105](#) [053745-0111](#) [601098N003](#) [86303057NLF](#)
[131A11019X](#) [162A11819X](#) [40-9854MP](#) [1-208778-5](#) [FC120N2](#) [MC7526D/AA](#) [MC8122D/AA](#) [FC4010D-15](#) [FC4006D](#) [121A05329A](#)
[164C16669X](#) [86566620064LF](#) [C330-8997-101H](#) [131A13019X](#) [DLS3XS5AK40X](#) [09692825723](#) [030-1954-000](#) [L17DM53744207](#)
[L17RRD1M11400](#) [030-1952-000](#) [1655496](#) [030-1953-000](#) [030-1953-030](#) [132C11039X](#) [132J15019X](#) [132C15019X](#) [131A10029X](#)
[8638PSC2006LF](#) [8656453067LF](#) [86566520064LF](#) [L17DM537441](#)