

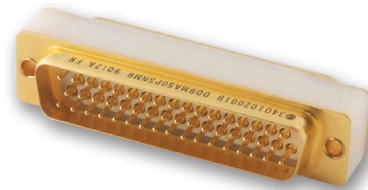
# 3401-020 D\*BMA for Connector Savers D\*M/D\*MA

## Features/Benefits

- **ESA/ESCC 3401/020 (D\*BMA connectors saver)**
- **Same Savers Connectors for D\*MA and D\*M connectors**
- **Standard and High Density available**
- **All size available from 9 to 104 ways**

## Typical Applications

- **Payloads and harnesses testings**
- **To be used when multiple mating/unmating cycles have to be managed**



Connectors used as connector savers in test equipment applications where more than normal mating and unmating would soon degrade a permanently mounted connector

It features the rear release contact retention assembly, making it field repairable

**Normally supplied with the contacts installed, it can be supplied without contacts (suffix F0 in the description, not marked on the connector)**

Male/Female type contacts, size 20 for standard density, size 22 for high density

Packaging unit: 1 piece (plastic bag)

## How to order – ESA/ESCC Quality Level

**3401020 01 B D B B MA 25 PS NMB A174 F0**

**Detail specification number** \_\_\_\_\_

**Variant** \_\_\_\_\_

01: Standard density  
02: High density

**Testing level** \_\_\_\_\_

**Series** \_\_\_\_\_

**Shell size** \_\_\_\_\_

E  
A  
B  
C  
D  
F

**Saver type** \_\_\_\_\_

**Insert type:** MA for two-piece insert with metal retention clips for saver contacts

**Contact information**

Termination modifier  
F0: without contacts (marked on the documentation / not marked on the connector)  
Nothing: with contacts (size 20 for Standard Density / size 22 for High Density)

**Modification code for shell plating**

**Magnetism level**

NMB: 200 Gamma  
NMC: 20 Gamma (on special request)

**Type of contact**

PS: Saver contacts

**Contact arrangement**

**Number of contacts for variant 01:**

E: 9  
A: 15  
B: 25  
C: 37  
D: 50

**Number of contacts for variant 02:**

E: 15  
A: 26  
B: 44  
C: 62  
D: 78  
F: 104

\*Materials and Finishes:

Shell material: Aluminium alloy

Shell finish A174: 25,4µm (1000µin) min electroless Nickel (Modification code A174)

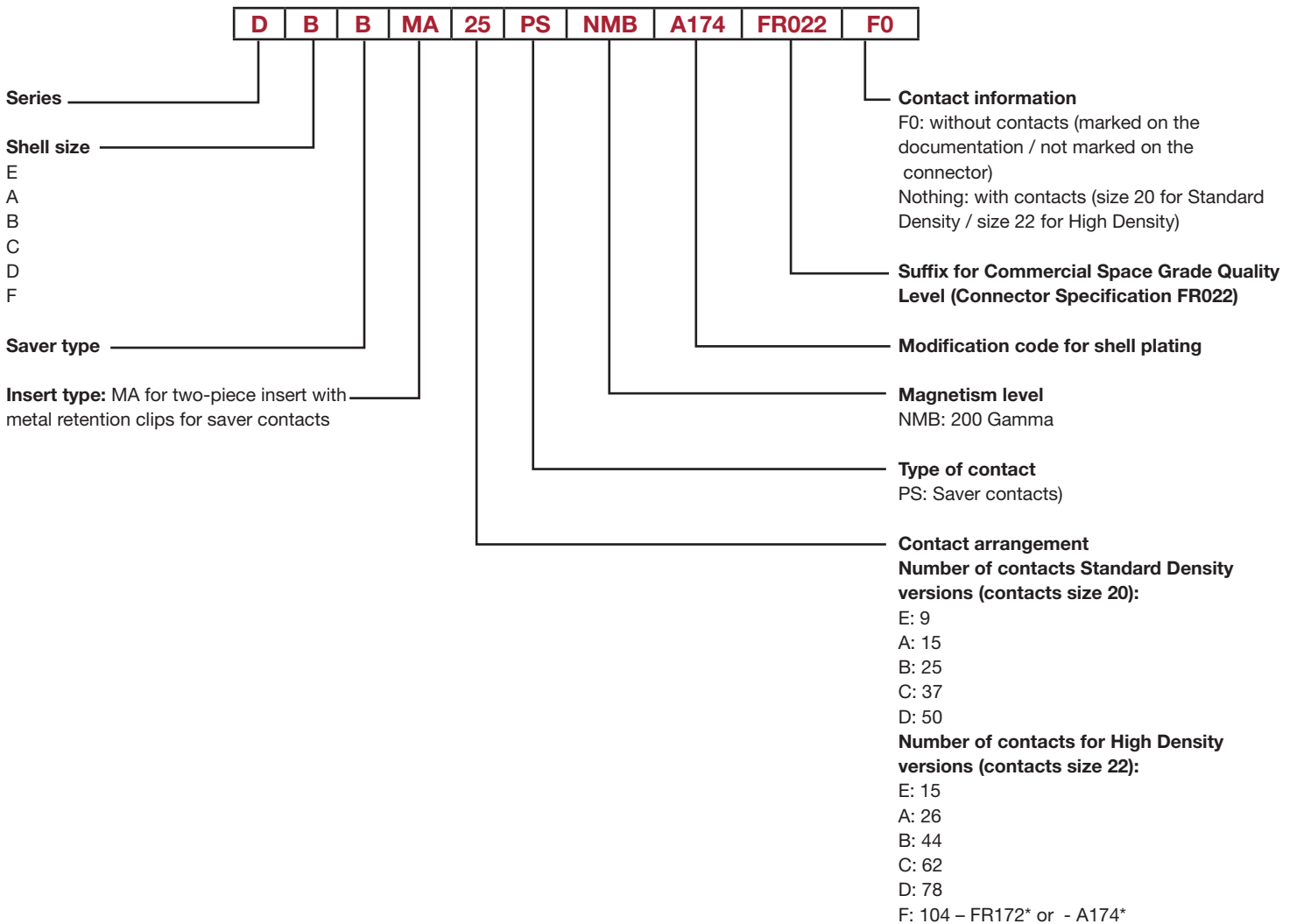
Shell finish FR172: 0.70µm (28µm) min Gold over 25.4µm (1000µm) electroless Nickel (Modification code FR172)



Dimensions are shown in mm (inch)  
Dimensions subject to change

# 3401-020 D\*BMA for Connector Savers D\*M/D\*MA

## How to order – FR022 Quality Level



### \*Materials and Finishes:

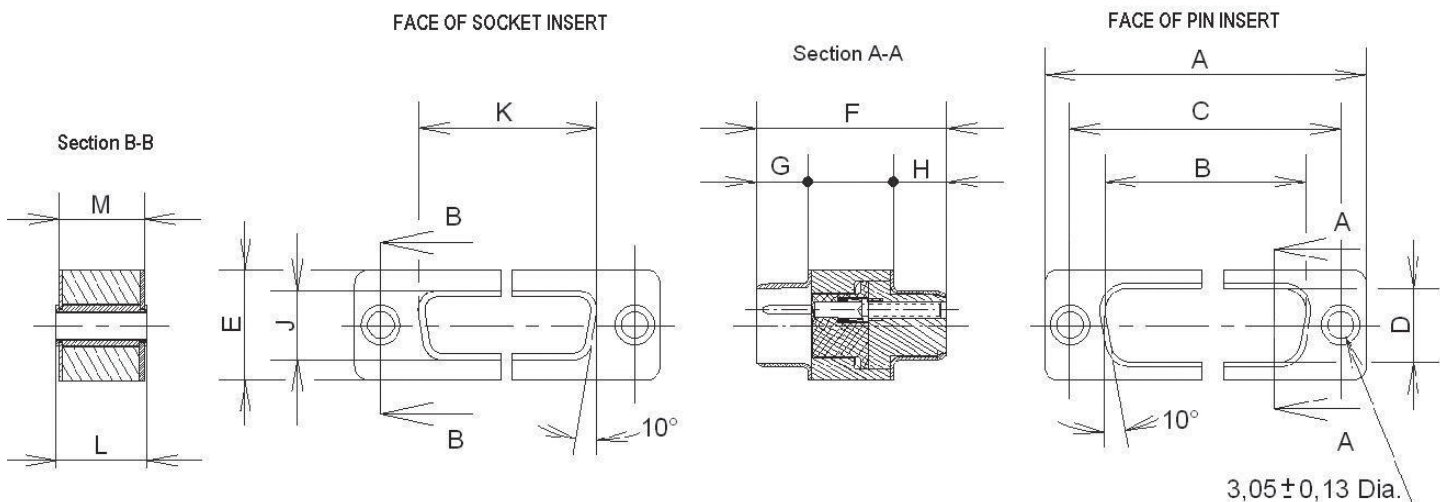
Shell material: Aluminium alloy

Shell finish A174: 25,4µm (1000µin) min electroless Nickel (Modification code A174)

Shell finish FR172: 0.70µm (28µm) min Gold over 25.4µm (1000µm) electroless Nickel (Modification code FR172)

# 3401-020 D\*BMA for Connector Savers D\*M/D\*MA

## Specific Dimensions



Shell Size mm	A ± 0,38	B ± 0,13	C ± 0,13	D ± 0,13	E ± 0,38	F ± 0,25	G ± * / **	H ± 0,13	J ± 0,13	K ± 0,13	L ± 0,38	M ± 0,25
E	30,81	16,92	24,99	8,36	12,55	21,87	5,94	6,18	7,90	16,33	10,59	9,86
A	39,14	25,25	33,32	8,36	12,55	21,87	5,94	6,18	7,90	24,66	10,59	9,86
B	53,04	38,96	47,04	8,36	12,55	21,97	5,84	6,18	7,90	38,38	10,59	9,86
C	69,32	55,42	63,50	8,36	12,55	21,97	5,84	6,18	7,90	54,84	10,59	9,86
D	66,93	52,81	61,11	11,07	15,37	21,97	5,84	6,18	10,74	52,42	10,59	9,86
F	69,32	56,18	63,50	12,77	17,30	21,97	5,84	6,18	12,32	55,60	10,59	9,86

\* ± 0,12 / \*\* ± 0,15

Shell Size inch	A ± .015	B ± .005	C ± .005	D ± .005	E ± .015	F ± .010	G ± * / **	H ± .005	J ± .005	K ± .005	L ± .015	M ± .010
E	1.213	.666	.984	.329	.494	.861	.234*	.243	.311	.643	.417	.388
A	1.541	.994	1.312	.329	.494	.861	.234*	.243	.311	.971	.417	.388
B	2.088	1.534	1.852	.329	.494	.865	.230**	.243	.311	1.511	.417	.388
C	2.729	2.182	2.500	.329	.494	.865	.230**	.243	.311	2.159	.417	.388
D	2.635	2.079	2.406	.436	.605	.865	.230**	.243	.423	2.064	.417	.388
F	2.729	2.212	2.500	.503	.681	.865	.230**	.243	.485	2.189	.417	.388

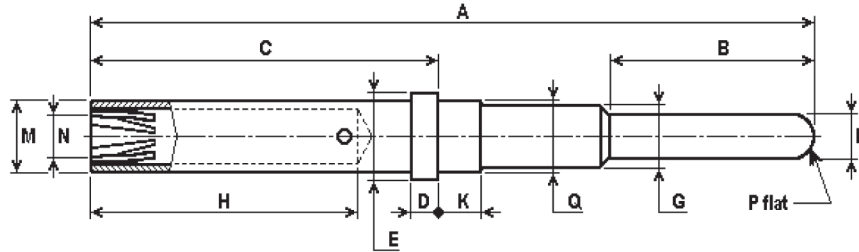
\* ± .005 / \*\* ± .006

## Weights

	Shell Size	Standard Density without contacts	Standard Density with contacts	High Density without contacts	High Density with contacts
<b>Max Weight (grams) per contact</b>			0.25		0.16
<b>Max Weight (grams) per connector saver</b>	E	9.90	12.15	9.50	11.90
	A	13.70	17.45	13.20	17.36
	B	18.40	24.65	17.80	24.84
	C	23.90	33.15	23.20	33.12
	D	26.80	39.30	26.10	38.58
	F	N.A.	N.A.	30,50	47,14

# 3401-021 D\*BMA for Connector Savers D\*M/D\*MA – Savers Contacts

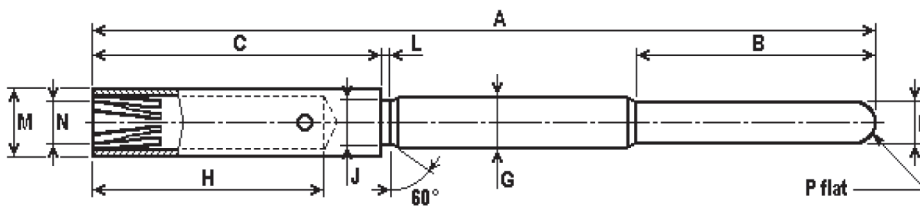
## Contact Size 20 for Standard density connectors



mm	A	B	C	D	∅ E	∅ F	∅ G	H	K	∅ M	∅ N	∅ P	∅ Q
Min	19,76	5,50	9,55	0,74	2,08	0,99	1,65	7,60	1,10	1,80	1,07	-	1,73
Max	20,12	5,80	9,63	0,81	2,12	1,04	1,73	7,85	1,20	1,85	1,14	0,30	1,78

(inch)	A	B	C	D	∅ E	∅ F	∅ G	H	K	∅ M	∅ N	∅ P	∅ Q
Min	.778	.217	.376	.029	.082	.039	.065	.299	.043	.071	.042	-	.068
Max	.792	.228	.379	.032	.083	.041	.068	.309	.047	.073	.045	.012	.070

## Contact Size 22 for high density connectors



Mm	A	B	C	∅ F	∅ G	H	∅ M	∅ N	∅ P	∅ J	L
Min	19,50	5,95	7,28	0,75	1,17	5,55	1,52	0,78	-	0,91	0,20
Max	19,95	6,05	7,34	0,77	1,21	5,85	1,57		0,20	1,01	0,25

(Inch)	A	B	C	∅ F	∅ G	H	∅ M	∅ N	∅ P	∅ J	L
Min	.768	.234	.287	.029	.046	.219	.060	.031	-	.036	.008
Max	.785	.238	.289	.030	.048	.230	.062		.008	.040	.010

Residual magnetism level NMB (200 Gamma max)  
For other residual magnetism level, consult factory

Packaging unit: 250 pieces (plastic bag)

## Contacts for savers connectors

Size	ESA/ESCC Quality Level		FR022 Quality Level	
	Description	Part Number	Description	Part Number
20	340102101B	C031-8991-101H	031-8991-101-FR022	C031-8991-101D
22	340102102B	C031-8992-101H	031-8992-101-FR022	C031-8992-101D

Size 20 for standard density connectors  
Size 22 for high density connectors



Dimensions are shown in mm (inch)  
Dimensions subject to change



*Dimensions are shown in mm (inch)  
Dimensions subject to change*



*Dimensions are shown in mm (inch)  
Dimensions subject to change*



*Dimensions are shown in mm (inch)  
Dimensions subject to change*

## X-ON Electronics

Largest Supplier of Electrical and Electronic Components

*Click to view similar products for [D-Sub Tools & Hardware](#) category:*

*Click to view products by [C&K](#) manufacturer:*

Other Similar products are found below :

[000-01-09-132](#) [000-01-21-132](#) [000-01-31-162](#) [572019-00105-70](#) [000-01-37-162](#) [621-250-113-115](#) [D110550-2](#) [D20418-137](#) [780-518-50SG6-WS](#) [86552009](#) [86553115TLF](#) [86553117TLF](#) [1230032-1](#) [1-5021101-2](#) [1589283-4](#) [160-000-005R031](#) [16-000230](#) [160-025-004R031](#) [160-000-137R000](#) [160-020-209R000](#) [164C03939A](#) [177-505-A-2-2](#) [1-966830-8](#) [21018-6](#) [21028-2](#) [2-1393560-9](#) [JS-1000](#) [L17D204182M3E](#) [L17D53018](#) [300X10779X](#) [160X10189X](#) [160X10419X](#) [160X10959X](#) [162-000-050R000](#) [21018-5](#) [212561-3](#) [248C21550X](#) [CF15P](#) [QLOCKPOST-2](#) [D110277](#) [500-008NF1K-01](#) [500-008NF3R3KS-01](#) [500-017M09FN](#) [500-017M15MHN](#) [500-024M1](#) [500-068M3](#) [5-1393561-5](#) [C115373-0001](#) [C115373-0002](#) [3342-4-KIT](#)