

RAFIX 22 QR - Contact block with silver contacts, without coupling, screw terminals, 1 NC
5.00.100.139/0000



Dimensions

| | |
|------------------------------|---------------------|
| Dimensions with coupling | 39.5 x 49.9 x 30 mm |
| Mounting depth without cable | 56.4 mm |

Mechanical design

| | |
|--|--|
| Mounting | snap on coupling and actuator |
| Contact system | bridge-contact self cleaning |
| Contact materials | Ag |
| Contact arrangement | 1 NC |
| NC contact forcibly actuated acc. to IEC 60947-5-1 | yes |
| Terminals | screw terminals |
| Terminal marking | color encoded |
| Robustness | 100 N |
| Wire range solid wires without wire end sleeves | 2 x 0.75 ... 2.5 mm ² |
| Wire range stranded wires without end sleeves | 2 x 1.0...1.5 (2 x 0.08 ... 2.5) mm ² |
| Stripping length, solid or stranded | 8 mm |
| Wire range with wire end sleeves | 2 x 0.75 ... 1.5 mm ² |

Electric characteristics acc. to IEC 60947

| | |
|--|--|
| Rated insulation voltage AC/DC | 400 V |
| Rated peak voltage | 6,000 V |
| Rated operating current I _e AC 12 / DC 12 | 10 A |
| Rated operating current I _e AC-15 | 125 V/10 A, 250 V/6 A, 400 V/3.5 A |
| Rated operating current I _e DC-13 Q300 | 24V/2.75A, 60V/1.1A, 125V/0.55A, 250V/0.275A |
| Degree of pollution | 3 |
| Positive opening travel | 3 mm |
| Operating speed | 5 ... 1000 mm/c |

Electric characteristics acc. to IEC 61058

| | |
|-------------------------------------|--|
| Resistive load AC | 10 A / 250 V; 7.5 A / 400 V |
| Motor load AC | 6 A / 250 V; 4 A / 400 V (5 A / 250 V) |
| Peak input current filament lamp AC | 36 A |
| Peak capacity input current AC | 100 A |
| Protection class | II |

Lamp characteristics

| | |
|----------------------|--------|
| Lamp characteristics | BA 9 s |
|----------------------|--------|

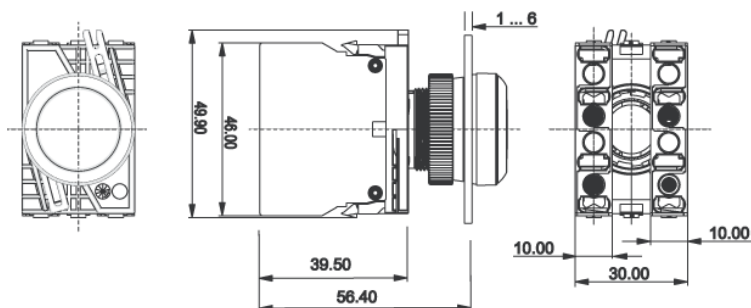
Other specifications

| | |
|--|--|
| Operating life at 10 A/250 V AC | 70,000 (10A), 200,000 (5A) |
| Switching reliability at 24V/5mA DC | 10×10^{-6} |
| Robustness | acc. to IEC 60947-5-5 |
| Corresponding to CE | acc. EU-guideline NSR 72/73 |
| Shock resistance acc. to IEC 60068-2-27 | 15 g at 11 ms, amplitude half sinusoidal |
| Resistance to vibrations acc. to IEC 60068-2-6 | 5 g at 10 ... 500 Hz |
| Ambient temp. operating min. | -25 °C |
| Ambient temp. operating max. | +70°C (+50°C) |
| Storage temperature min. | -40 °C |
| Storage temperature max. | +80 °C |
| Flame class acc. to UL 94 | V 0 |
| Hot wire ignition acc. to IEC 60695-2-1 | yes |
| Environmental resistance | acc. to IEC 60068-2-14, -30, -33 and -78 |
| ROHS compliant | yes |
| REACH compliant | yes |

Silver contacts, 1 NO, quick connector



with contact block



X-ON Electronics

Largest Supplier of Electrical and Electronic Components

Click to view similar products for [Switch Contact Blocks / Switch Kits](#) category:

Click to view products by [C&K](#) manufacturer:

Other Similar products are found below :

[61-8770.17](#) [M2SA-7010](#) [704.905.2](#) [704.915.5](#) [84-8512.2320](#) [A01RTC8](#) [A02504](#) [A02512](#) [A3KJ-7010](#) [BS001](#) [190-17504-003](#) [190-17505-001](#) [190-17508-001](#) [190-17509-002](#) [190-17509-006](#) [A02506](#) [190-17501-001](#) [190-17506-001](#) [190-17509-003](#) [190-17509-005](#) [GLZ304](#) [51401](#) [BS010](#) [BST-D](#) [HW-S01](#) [XESP2021](#) [61-8480.22](#) [61-8650.17](#) [704.908.1](#) [704.908.5](#) [704.915.3](#) [HA-C2V](#) [S4](#) [704.918.4](#) [5.00.100.105/0000](#) [84-8511.5320](#) [A3CA-7121](#) [84-8511.6320](#) [704.902.1](#) [A0310Y](#) [51-971.F22](#) [5.05.510.632/0000](#) [190-17502-003](#) [190-17507-002](#) [190-17500-006](#) [190-17510-001](#) [1.20.119.002/0000](#) [2MN6-1PA224](#) [Kit05-Keylocks](#) [Kit14-Switch Assortment](#)