

# D6 Key Switch



The D6 is a single-pole, momentary action, normally open keyswitch specially designed for digital electronic controls.

Its small size enables keyboard design with minimum center spacing of 12.7 mm (0.500).

The commoned terminals offer the possibility of X, Y coding on just a single sided printed circuit board.

A total travel of 0.8 mm (0.0315) combined with a snap effect provides the user with a smooth, gentle, yet positive tactile feedback.

Built-in buttons (square or round) are available in several colors and have been designed to fit directly on front panels.

The D6 version with plunger 3.3 × 3.3 mm (0.130 × 0.130) can accept any standard or customer-designed button.

Flat D6 can be actuated with customer designed buttons or behind a membrane.

A version exists for high temperature, resisting wave soldering in severe conditions. This type is offered only in black.

## Applications

- Video, TV sets, remote control, video and disc recorder
- Audio, car radio, portable radio
- Test and measuring equipment
- Automobiles
- Electronic games
- Domestic appliances
- Telephones and intercoms

## Construction

Function	Momentary
Contact arrangement	1 make contact = SPST, NO
Distance between button centers, min.	12.7 mm (0.500 inch)
Contacts	PC pins

## Electrical data

Switching power max.	6 VA
Switching voltage max.	100 V AC
Switching current max.	100 mA AC
Dielectric strength (50 Hz/1 Min.)	1000 V AC
Operating life with max. switching power	≅ 2.5 × 10 <sup>5</sup> operations
Contact resistance	≅ 100 mΩ
Insulation resistance	≅ 10 <sup>11</sup> Ω
Contact bounce	≅ 3 ms

## Mechanical data

Switching travel	0.8 ± 0.2 (0.031 ± 0.0078)
Operating force	1.3N ± 30% (130 grams ± 30%)

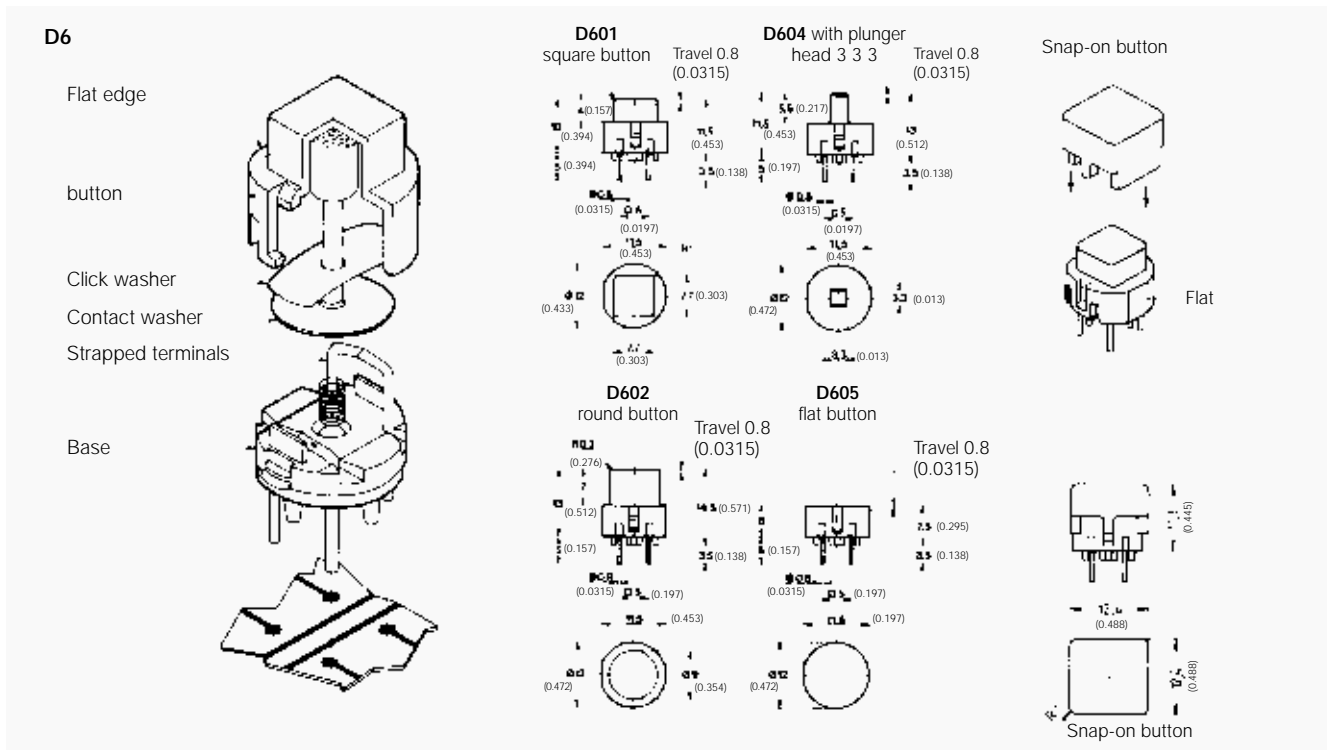
## Further data

Contact material	Silver plated	
Insulation material	base	PBT (white color) PBT for high temperature (blue color)
	button	ABS high temperature
Operating temperature	- 20°C to + 85°C	
Climatic category	21 days at 40°C	
Hand soldering	350°C for 3 seconds	
Wave or bath soldering	225°C for 5 seconds	
Cleaning	Use solvents compatible with ABS.	

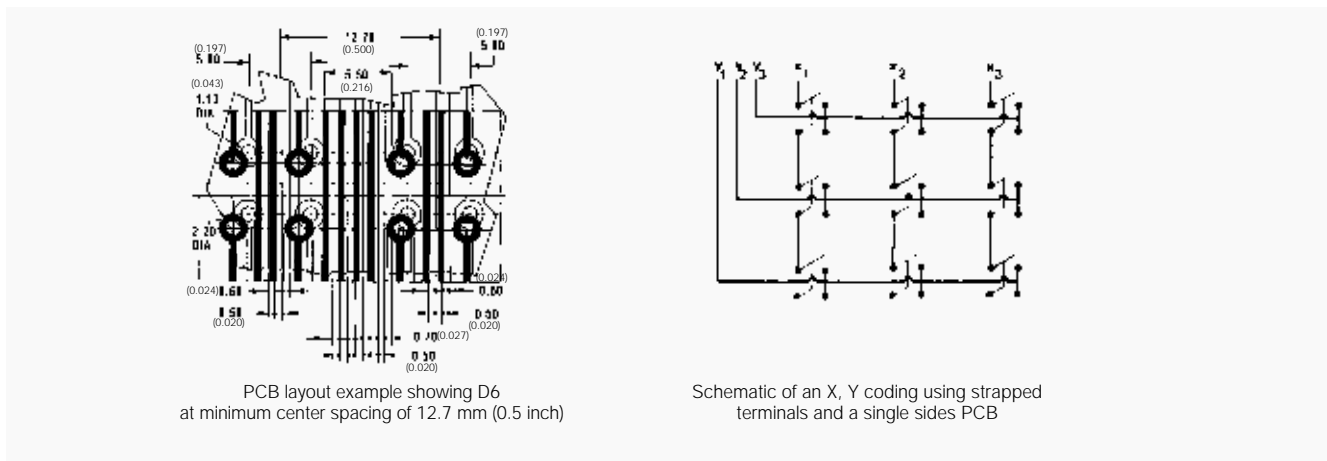
Ordering code: see next page.

# D6 Key Switch

## Dimensional Drawings



## PCB layout



Ordering code		1	2	3
		<b>Example:</b>		
1	<b>Designation:</b> D6	D6	R	30
2	<b>Switch style:</b> C = square, R = round, F <sup>1</sup> = flat, L <sup>1</sup> = square 3.3 mm (0.130 inch)			
3	<b>Switch color:</b> 00 = white, 10 = grey, 30 = yellow, 40 = red, 50 = green, 60 = blue, 80 = ivory, 90 = black			

<sup>1</sup>) Note: Switch styles F and L only available in black.

Ordering code for D6 button: Snap-on buttons for switch style C (square, supplied in bulk)		1	2	3
		<b>Example:</b>		
1	<b>Button:</b> BTN	BTN	D6	30
2	<b>Type:</b> D6			
3	<b>Button color:</b> 00 = white, 10 = grey, 30 = yellow, 40 = red, 50 = green, 60 = blue, 80 = ivory, 90 = black			

## X-ON Electronics

Largest Supplier of Electrical and Electronic Components

*Click to view similar products for C&K manufacturer:*

Other Similar products are found below :

[RS1 KRSA BK N C 121280](#) [M8373113-211](#) [NE18CTII 2A EE 4AMP](#) [KSA0A531LFT](#) [SERU AU BRAUN 604039](#) [110036](#) [BTNK1060](#)  
[PTS645VH58 LFS](#) [7101J50V5QE2](#) [7101K2CWZBE](#) [7101MD9ABE2](#) [7101SDV7QE](#) [7101SDZBE2](#) [7103T1CWV3GE](#) [7105K2CWZQE](#)  
[7108J2ZQE1](#) [7201TCWCBE](#) [7203MCWCQE](#) [7203T1ZQE](#) [7207SYCBE](#) [7208L41YZQE](#) [7211MHWBE](#) [7215J1AV2BE2](#) [7215JBV6BE](#)  
[7215L3YZQE](#) [ET05LD1AGE](#) [ET21J1AVBE2](#) [7401J3ZQE3](#) [7411J3ZQE1](#) [752708000](#) [FA0115RN02Q](#) [8161LHZ3QE22](#) [8161LHZQE2](#)  
[FLT 2U EE 01A](#) [MP01R133CBE](#) [A10403RNZQE](#) [1.20126.0030000](#) [R10807RN02Q](#) [D501J12S206HQA](#) [12TL402](#) [ADPFF3J04AW](#)  
[1.30073.6200200](#) [DM22J11S205PQ](#) [AP4D200SZBE](#) [DT450T](#) [E101J3V31QE2](#) [E101JAAV2QE](#) [E201J11CQE32](#)