

KSA & KSL Series Sealed Tact Switch

Features/Benefits

- Designed for automatic or manual insertion
- Cambered terminals to ensure self retention
- Top or side actuated
- Large choice of caps
- RoHS compliant and compatible

Typical Applications

- Automotive
- Industrial
- Telecommunication networks



Specification

CONTACT ARRANGEMENT: SPST, N.O.
 DOUBLE OVERMOLDING ON TERMINAL
 MEMBRANE SEALING
 TERMINALS: PC pins, ground pin optional

Mechanical

| Type | Actuation force N (grams) | Operating life (operations) | Travel to make |
|----------|---------------------------|-----------------------------|----------------|
| KSA0M211 | 1 - 1,8 | 100,000 | 0,5 ± 0,2 |
| KSA0M311 | 1 - 1,8 | 1,000,000 | 0,5 ± 0,2 |
| KSA0M411 | 2,25 - 3,75 | 100,000 | 0,6 ± 0,2 |
| KSA0M511 | 4,2 - 7,0 | 100,000 | 0,7 ± 0,2 |
| KSA0M911 | 2,25 - 3,75 | 500,000 | 0,6 ± 0,2 |
| KSL0M211 | 1 - 1,8 | 100,000 | 0,5 ± 0,2 |
| KSL0M311 | 1 - 1,8 | 1,000,000 | 0,5 ± 0,2 |
| KSL0M411 | 2,25 - 3,75 | 100,000 | 0,6 ± 0,2 |
| KSL0M511 | 4,2 - 7 | 100,000 | 0,7 ± 0,2 |
| KSL0M911 | 2,25 - 3,75 | 500,000 | 0,6 ± 0,2 |

Electrical

| | Silver | Gold |
|--------------------------------|---------------------|--------|
| MAXIMUM POWER: | 1 VA | 0.2 VA |
| MAXIMUM VOLTAGE: | 32 VDC | 32 VDC |
| MINIMUM VOLTAGE: | 20 mV | 20 mV |
| MAXIMUM CURRENT: | 50 mA | 10 mA |
| MINIMUM CURRENT: | 1 mA | 1 mA |
| DIELECTRIC STRENGTH: | 300 Vrms | |
| CONTACT RESISTANCE: | < 100m Ω | |
| INSULATION RESISTANCE (100 V): | > 10 ⁹ Ω | |
| BOUNCE TIME: | < 1 ms | |

Environmental

| | Silver | Gold |
|------------------------|---------------|----------------|
| OPERATING TEMPERATURE: | -40°C to 90°C | -40°C to 125°C |
| STORAGE TEMPERATURE: | -40°C to 90°C | -55°C to 125°C |

Process

Wave soldering compatible with lead free soldering profile.

Packaging

Can be delivered in tubes of 65 pieces for automatic insertion or in boxes of 500 pieces for manual insertion (250 pieces for KSL, KSLV, KSAV).

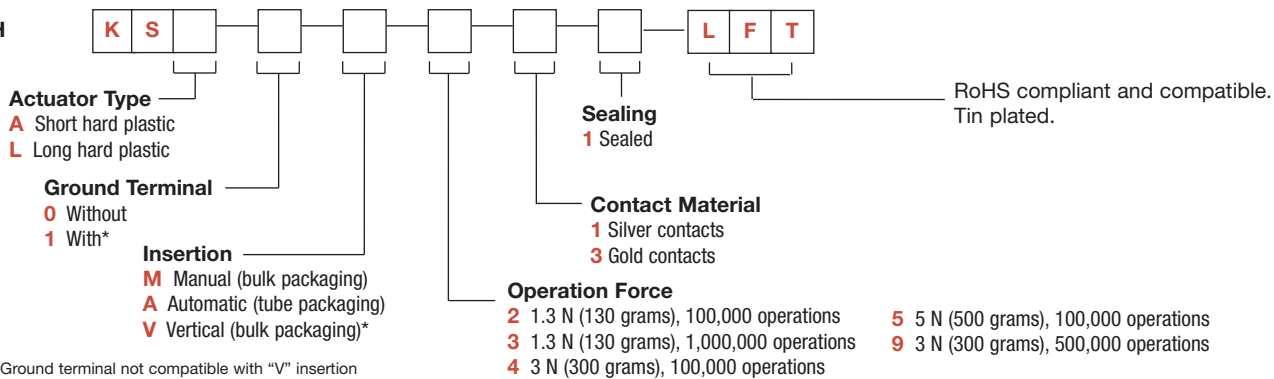
How To Order

Our easy build-a-switch concept allows you to mix and match options to create the switch you need. To order, select desired option from each category and place it in the appropriate box.

However, please note that all the combinations of these options are not feasible.

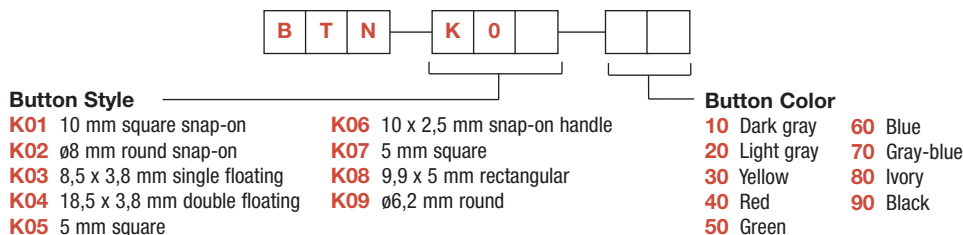
For any part number different from those listed above, please consult your local representative.

SWITCH



*Note: "1" Ground terminal not compatible with "V" insertion

BUTTONS Buttons must be ordered separately and will be supplied in bulk.



*NOTE: Please note that all buttons are not RoHS compliant. Please check the compliance with your C&K sales representative.



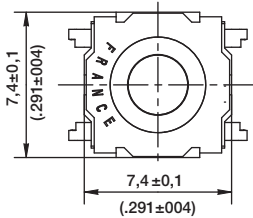
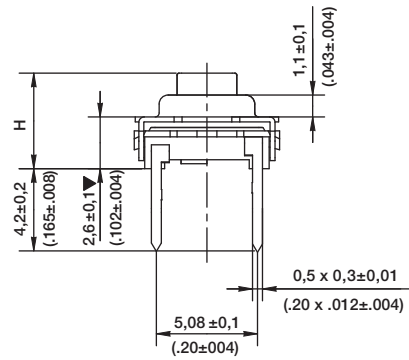
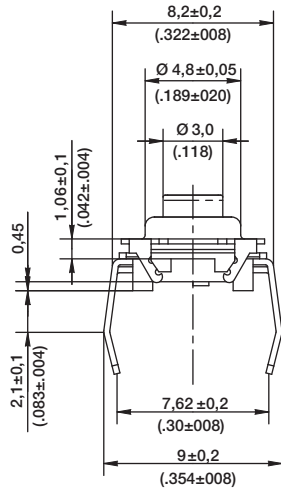
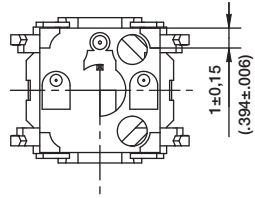
Dimensions shown in: mm (inch)
 Specifications and dimensions subject to change

www.ck-components.com

KSA & KSL Series Sealed Tact Switch

ACTUATOR TYPE

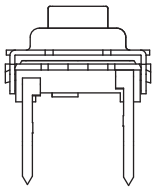
KSA & KSL



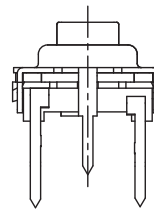
| Type | H mm | inch |
|------|---------|--------|
| KSA | 4,7±0,2 | (.185) |
| KSL | 9,9±0,2 | (.390) |

GROUND TERMINAL

0 WITHOUT



1* WITH



*Not compatible with "V" insertion



Dimensions shown in: mm (inch)
Specifications and dimensions subject to change

www.ck-components.com

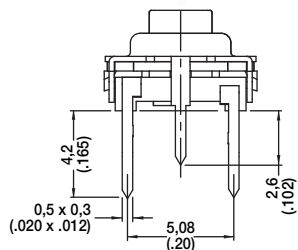
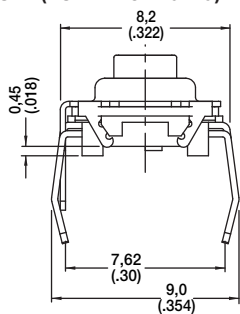
Tactile Switches

B

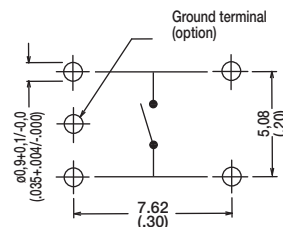
KSA & KSL Series Sealed Tact Switch

INSERTION

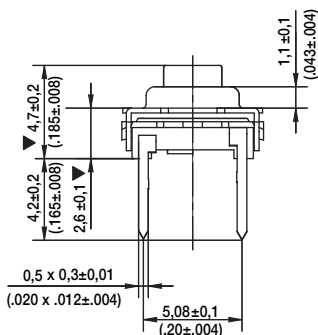
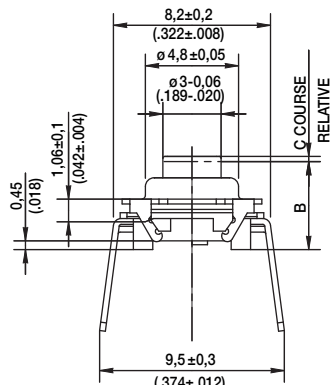
M MANUAL (BULK PACKAGING)



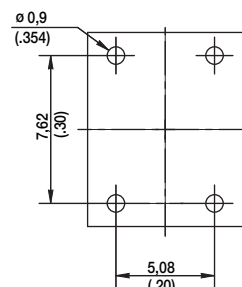
PCB LAYOUT



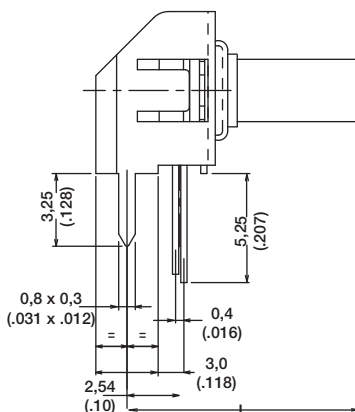
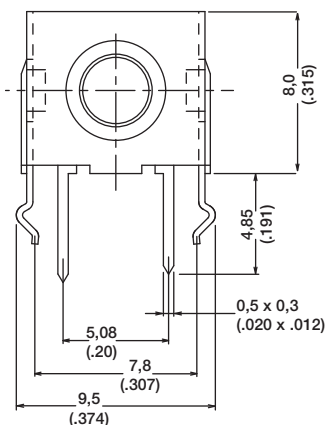
A AUTOMATIC (TUBE PACKAGING, 65 PIECES PER TUBE)



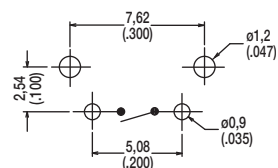
PCB LAYOUT



V VERTICAL



PCB LAYOUT



DIMENSION L

| Type | L mm | inch |
|-------|------|------|
| KSA0V | 5,8 | .228 |
| KSL0V | 11,1 | .437 |

OPERATING FORCE

| OPTION CODE | OPERATING FORCE |
|-------------|---|
| 2 | 1.3 N (130 grams) 100,000 operations |
| 3 | 1.3 N (130 grams) 1,000,000 operations |
| 4 | 3.0 N (300 grams) 100,000 operations |
| 5 | 5.0 N (500 grams) 100,000 operations |
| 9 | 3.0 N (300 grams) 500,000 operations |



First Angle
Projection

Dimensions shown in: mm (inch)
Specifications and dimensions subject to change



KSA & KSL Series Sealed Tact Switch

CONTACT MATERIAL



| OPTION CODE | CONTACT MATERIAL |
|-------------|------------------|
| 1 | Silver contacts |
| 3 | Gold contacts |

SEALING



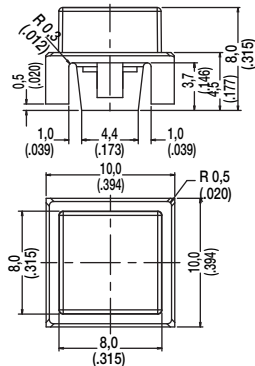
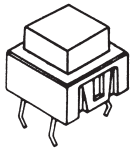
| OPTION CODE | SEALING |
|-------------|------------------------------|
| 1 | Totally sealed - sealed IP64 |

BUTTONS

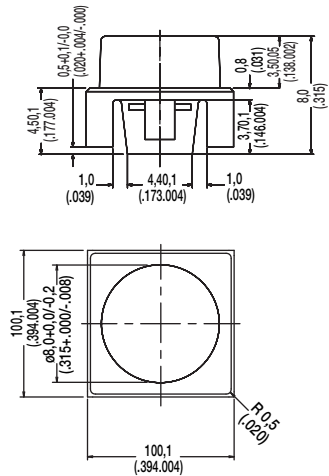
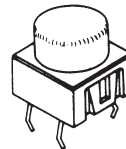
Buttons must be ordered separately and will be supplied in bulk.

| BUTTON TYPE | KSA | KSL | KSAV | KSLV |
|-------------|-----|-----|------|------|
| K01 | X | | | |
| K02 | X | | | |
| K03 | X | X | X | X |
| K04 | X | X | X | X |
| K05 | | X | | X |
| K06 | X | | | |
| K07 | | X | | X |
| K08 | | X | | X |
| K09 | | X | | X |

K01



K02



Dimensions shown in: mm (inch)
Specifications and dimensions subject to change



Tactile Switches

B

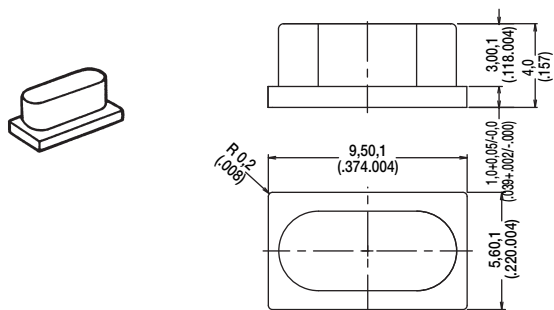
KSA & KSL Series Sealed Tact Switch



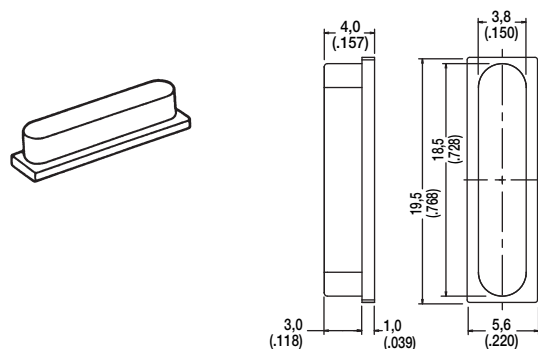
B

Tactile Switches

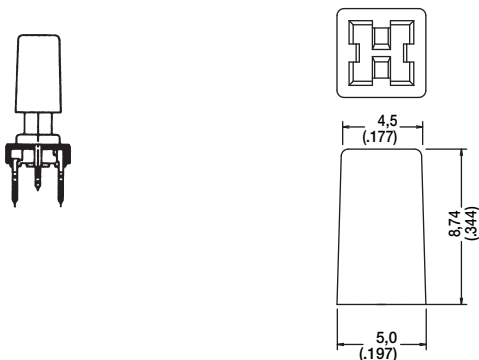
K03



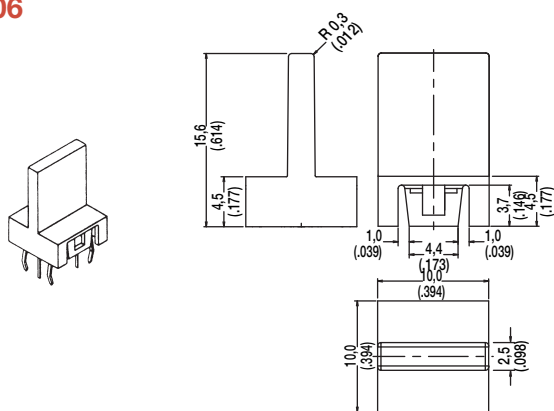
K04



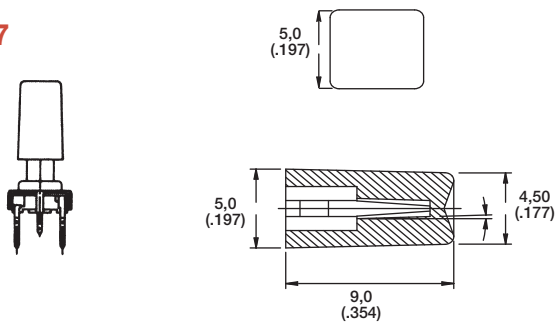
K05



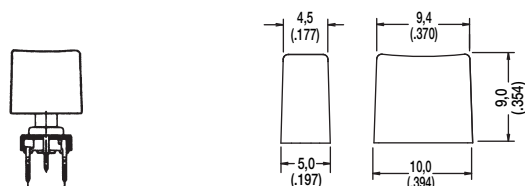
K06



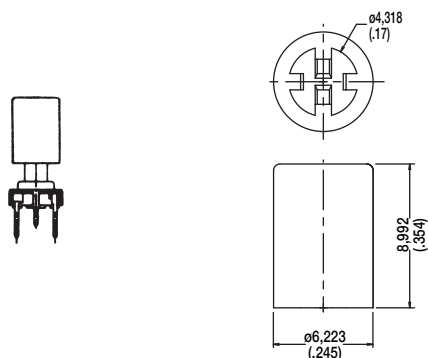
K07



K08



K09



Dimensions shown in: mm (inch)
Specifications and dimensions subject to change



X-ON Electronics

Largest Supplier of Electrical and Electronic Components

Click to view similar products for [Switch Bezels](#) / [Switch Caps](#) category:

Click to view products by [C&K](#) manufacturer:

Other Similar products are found below :

[896805000](#) [LW1A-B2-R](#) [LW2A-B1-G](#) [LW2A-B1-S](#) [61-9221.0](#) [61-9221.9](#) [61-9593.0](#) [61-9593.2](#) [61-9600.1](#) [704.604.4](#) [704-6089](#) [704-6097](#)
[704.955.3](#) [76](#) [760203000](#) [760503000](#) [766601000](#) [MG12KB](#) [MH11](#) [MH13](#) [MH16](#) [MHU31](#) [800C2BLK](#) [MJ621](#) [MJ623](#) [MJ626](#) [MJ627](#) [908-](#)
[1634](#) [92-343.200](#) [92-343.400](#) [95CAP-001](#) [95CAP-010](#) [95CAP-112](#) [11-932.7](#) [99-920.8](#) [A0162J](#) [A0163D](#) [11-931.2](#) [11-932.5](#) [11-937](#)
[A16ZT-5011B](#) [121160200](#) [AT496F](#) [AT496H](#) [AW-RF8](#) [161006](#) [1631032](#) [1631034](#) [1631040](#) [1802169](#)