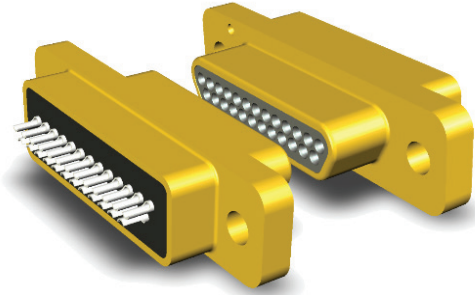


Features and Benefits

- High performance Micropin™ contact system (“twist pin” spring male contact and tubular socket contact)
- Solderable contacts
- Harnesses length flexibility
- Non-Outgassing
- Low Size Connectors
- Low Weight

Typical Applications

- Space equipment (engineering model)
- Satellites harnesses and payloads
- Avionics / Military
- Automotive / Medical / Industrial applications



Specification

- High performance Micro-miniature connectors meet stringent tests for outgassing and residual magnetism and are suitable for use in Space Engineering Model, Avionics, Military, Medical and Industrial applications.
- Suitable for Board to Board, Board to Cable or Cable to Cable applications.
- Twist Pin Contacts Technology.
- Sizes available: 9, 15, 21, 25, 31, 37 and 51 ways.
- Accepted wires size: Insulated wire AWG26 and AWG28.
- Distance between 2 adjacent contacts: 1.27mm (.050 inch).
- Distance between 2 contacts rows: 1.09mm (.043 inch).

Electrical & Mechanical Characteristics

CHARACTERISTIC	SPECIFICATION
Working Voltage (sea level)	150 Vrms
Rated Current AWG 26	2.5 A
Rated Current AWG 28	1.5 A
Contact Resistance	5 mΩ (rated current)
Insulation Resistance	5000 MΩ min
Voltage Proof	600 Vrms /2.0mA (leakage current)
Temperature range	-55/+125 °C

TYPE	MATING/UNMATING FORCE (N MAX)	UNMATING FORCE (N MIN)	WEIGHT (G)
Size 9	20	1.3	2.4
Size 15	33	2.0	3.3
Size 21	47	2.9	4.2
Size 25	55	3.5	4.8
Size 31	69	4.3	5.7
Size 37	82	5.1	6.7
Size 51	113	7.1	8.2

Quality Level

- “Commercial Space Grade”.
- C&K Connector Specification CS FR022, for low cost products manufactured:
 - in the same ESA qualified site
 - Through the same piece parts
 - With lighter controls, documentation and traceability.
- The connectors are totally compatible, interchangeable and intermateable with ESA quality level connectors ESCC 3401/029 (MDM connectors), 3401/41 (connector Savers), 3401/032 (accessories), 3401/077 (MDMA connectors), 3401/078 (contacts) and 3401/087 (backshells).

Process to use it

- Wire stripping.
- Cables soldering onto contacts.
- Wires cable installed by the end user.

Options

- Optional captive nuts or float mounting.

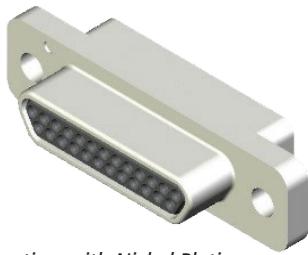
Packaging

- Individual packaging.
- Each Micro-D connector is sold and delivered with a dust cap in individual plastic bag.
- Each socket Micro-D connector is sold and delivered with interfacial seal.

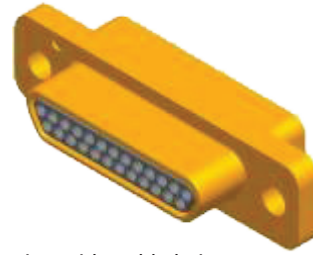
HOW TO ORDER

CONNECTOR

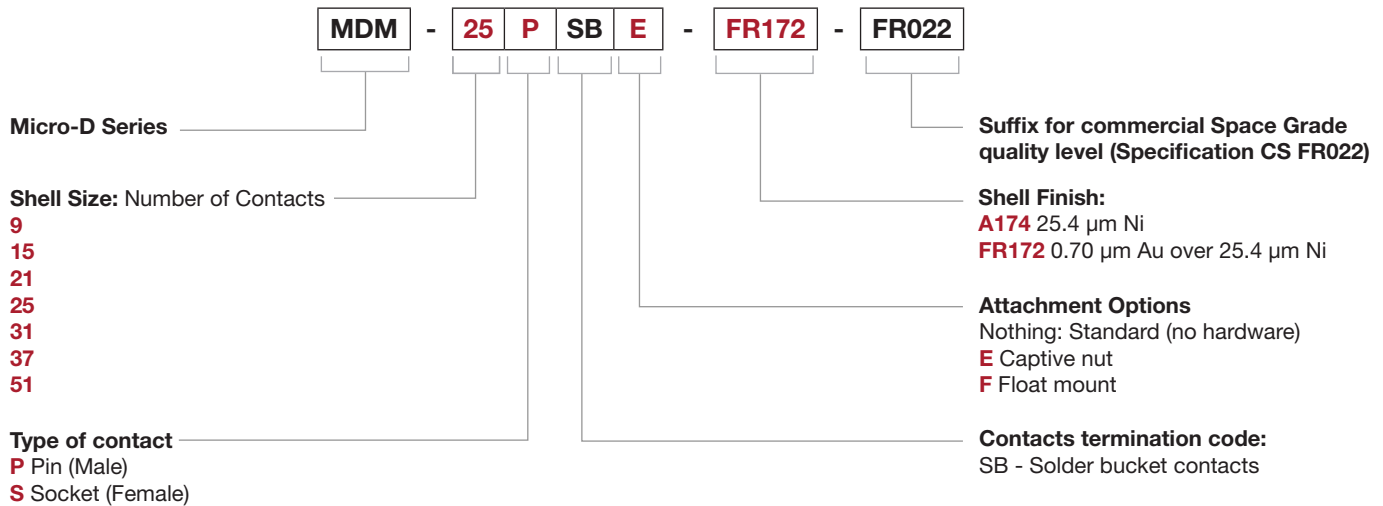
Our easy build-a-connector concept allows you to mix and match options to create the Micro-D connector you need. To order, select desired option from each category and place it in the appropriate box.



Pin connection with Nickel Plating



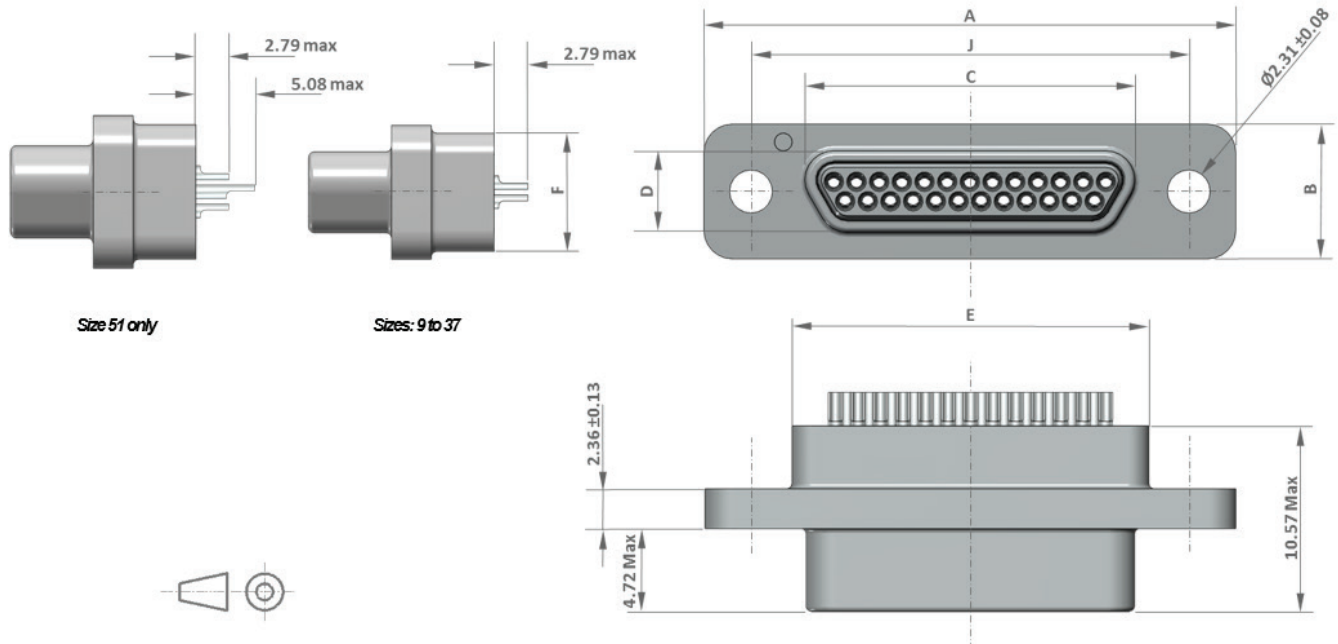
Pin connection with Gold Plating



MATERIALS & FINISHES

COMPONENT	MATERIAL	FINISH
Shell	Aluminium alloy	01: 25.4 µm electroless Nickel over Copper underlay
		02: 0.70 µm Gold over 25.4 µm electroless Nickel
Insulator	Liquid Crystal Polymer	UL 94-V0, Glass-filled, Black Color
Female Contacts	Copper Alloy	1.27 µm Gold over Copper underlay
Male Contacts	Copper Alloy	1.27 µm Gold over Copper underlay
Accessories (E & F)	Stainless Steel	303 type, passivated
Interfacial Seals	Fluorosilicone elastomer	Pink color
Dust Cap	Polyethylene	Black color, antistatic.

CONNECTOR DIMENSIONS

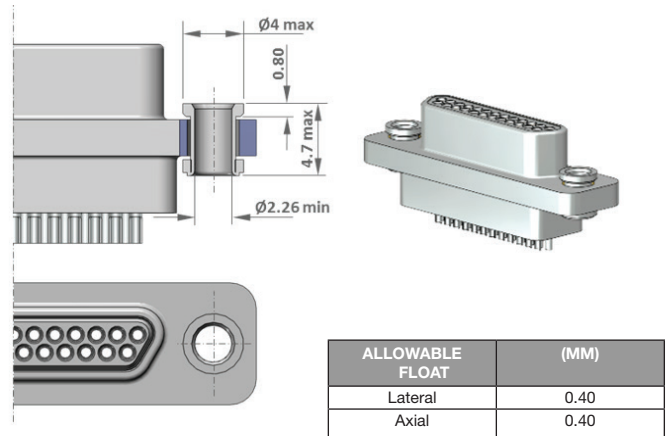
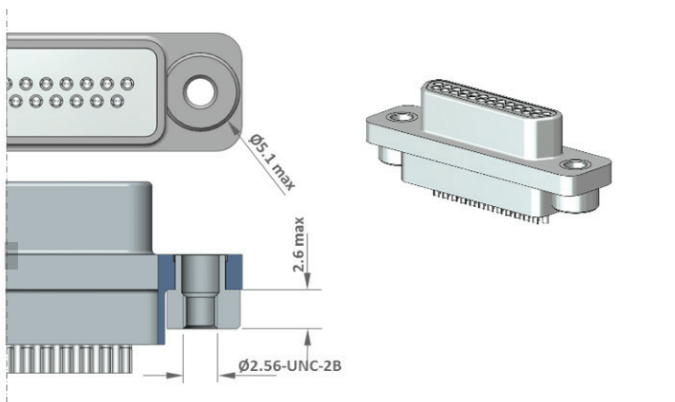


SHELL SIZE	A ±0.25	B ±0.22	C ±0.14	D ±0.15	E ±0.25	F ±0.13	J ±0.13
9P	19.68	7.60	8.31	4.54	9.91	6.63	14.35
9S	19.68	7.60	8.64	4.87	9.91	6.63	14.35
15P	23.50	7.60	12.12	4.54	13.72	6.63	18.16
15S	23.50	7.60	12.45	4.87	13.72	6.63	18.16
21P	27.30	7.60	15.93	4.54	17.53	6.63	21.97
21S	27.30	7.60	16.26	4.87	17.53	6.63	21.97
25P	29.84	7.60	18.47	4.54	20.07	6.63	24.51
25S	29.84	7.60	18.80	4.87	20.07	6.63	24.51
31P	33.65	7.60	22.28	4.54	23.88	6.63	28.32
31S	33.65	7.60	22.61	4.87	23.88	6.63	28.32
37P	37.46	7.60	26.09	4.54	27.69	6.63	32.13
37S	37.46	7.60	26.42	4.87	27.69	6.63	32.13
51P	36.20	8.70	24.83	5.68	26.42	7.65	30.86
51S	36.20	8.70	25.15	6.01	26.42	7.65	30.86

ATTACHMENT OPTIONS

Captive Nut (Option E)

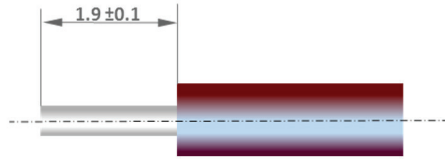
Floating Mount (Option F)



PROCESS – RECOMMENDED INSTRUCTION

Wire Stripping

Cut wire to length and strip insulation per below illustration. Check for broken or frayed wires.



Recommended wire:



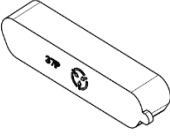
3901 013 01 B: PTFE insulated wire AWG28

3901 013 02 B: PTFE insulated wire AWG26

3901 002 61 B: Polyimide insulated wire AWG28

3901 002 56 B: Polyimide insulated wire AWG26

ACCESSORIES

INTERFACIAL SEAL	SIZE	ESA/ESCC DESCRIPTION	C&K P/N
	9S	340103212B	C115373-0050C
	15S	340103213B	C115373-0051C
	21S	340103214B	C115373-0052C
	25S	340103215B	C115373-0053C
	31S	340103216B	C115373-0054C
	37S	340103217B	C115373-0055C
	51S	340103219B	C115373-0056C
MALE SCREWLOCK	DESCRIPTION		C&K P/N
	MDM-115288-6916-FR022		C115288-6916
DUST CAP	SIZE	DESCRIPTION	C&K P/N
	9P	MDM-DUSTCAP-9P-FR022	C115288-6927
	9S	MDM-DUSTCAP-9S-FR022	C115288-6928
	15P	MDM-DUSTCAP-15P-FR022	C115288-6929
	15S	MDM-DUSTCAP-15S-FR022	C115288-6930
	21P	MDM-DUSTCAP-21P-FR022	C115288-6931
	21S	MDM-DUSTCAP-21S-FR022	C115288-6932
	25P	MDM-DUSTCAP-25P-FR022	C115288-6933
	25S	MDM-DUSTCAP-25S-FR022	C115288-6934
	31P	MDM-DUSTCAP-31P-FR022	C115288-6935
	31S	MDM-DUSTCAP-31S-FR022	C115288-6936
	37P	MDM-DUSTCAP-37P-FR022	C115288-6937
	37S	MDM-DUSTCAP-37S-FR022	C115288-6938
	51P	MDM-DUSTCAP-51P-FR022	C115288-6939
51S	MDM-DUSTCAP-51S-FR022	C115288-6940	

For the complete range of accessories and details, consult our MDM accessories datasheet.

CONNECTORS DESCRIPTION AND C&K PART NUMBERS

SHELL	CONTACT TYPE	CONTACT #	ATTACHMENT OPTIONS					
			STANDARD CONNECTOR		CONNECTOR WITH CAPTIVE NUT (E)		CONNECTOR WITH FLOATING MOUNT (Y)	
			ESA/ESCC DESCRIPTION	C&K P/N	ESA/ESCC DESCRIPTION	C&K P/N	ESA/ESCC DESCRIPTION	C&K P/N
Nickel	Pin	9	MDM-9PSB-A174-FR022	C115288-6005	MDM-9PSBE-A174-FR022	C115288-6555	MDM-9PSBF-A174-FR022	C115288-6521
		15	MDM-15PSB-A174-FR022	C115288-6097	MDM-15PSBE-A174-FR022	C115288-6558	MDM-15PSBF-A174-FR022	C115288-6560
		21	MDM-21PSB-A174-FR022	C115288-6043	MDM-21PSBE-A174-FR022	C115288-6562	MDM-21PSBF-A174-FR022	C115288-6564
		25	MDM-25PSB-A174-FR022	C115288-6098	MDM-25PSBE-A174-FR022	C115288-6566	MDM-25PSBF-A174-FR022	C115288-6568
		31	MDM-31PSB-A174-FR022	C115288-6079	MDM-31PSBE-A174-FR022	C115288-6570	MDM-31PSBF-A174-FR022	C115288-6572
		37	MDM-37PSB-A174-FR022	C115288-6069	MDM-37PSBE-A174-FR022	C115288-6574	MDM-37PSBF-A174-FR022	C115288-6576
		51	MDM-51PSB-A174-FR022	C115288-6219	MDM-51PSBE-A174-FR022	C115288-6578	MDM-51PSBF-A174-FR022	C115288-6580
	Socket	9	MDM-9SSB-A174-FR022	C115288-6042	MDM-9SSBE-A174-FR022	C115288-6582	MDM-9SSBF-A174-FR022	C115288-6522
		15	MDM-15SSB-A174-FR022	C115288-6076	MDM-15SSBE-A174-FR022	C115288-6585	MDM-15SSBF-A174-FR022	C115288-6587
		21	MDM-21SSB-A174-FR022	C115288-6008	MDM-21SSBE-A174-FR022	C115288-6589	MDM-21SSBF-A174-FR022	C115288-6416
		25	MDM-25SSB-A174-FR022	C115288-6077	MDM-25SSBE-A174-FR022	C115288-6592	MDM-25SSBF-A174-FR022	C115288-6593
		31	MDM-31SSB-A174-FR022	C115288-6078	MDM-31SSBE-A174-FR022	C115288-6595	MDM-31SSBF-A174-FR022	C115288-6597
		37	MDM-37SSB-A174-FR022	C115288-6070	MDM-37SSBE-A174-FR022	C115288-6599	MDM-37SSBF-A174-FR022	C115288-6601
		51	MDM-51SSB-A174-FR022	C115288-6099	MDM-51SSBE-A174-FR022	C115288-6603	MDM-51SSBF-A174-FR022	C115288-6605
Gold	Pin	9	MDM-9PSB-FR172-FR022	C115288-6119	MDM-9PSBE-FR172-FR022	C115288-6556	MDM-9PSBF-FR172-FR022	C115288-6557
		15	MDM-15PSB-FR172-FR022	C115288-6121	MDM-15PSBE-FR172-FR022	C115288-6559	MDM-15PSBF-FR172-FR022	C115288-6561
		21	MDM-21PSB-FR172-FR022	C115288-6355	MDM-21PSBE-FR172-FR022	C115288-6563	MDM-21PSBF-FR172-FR022	C115288-6565
		25	MDM-25PSB-FR172-FR022	C115288-6123	MDM-25PSBE-FR172-FR022	C115288-6567	MDM-25PSBF-FR172-FR022	C115288-6569
		31	MDM-31PSB-FR172-FR022	C115288-6356	MDM-31PSBE-FR172-FR022	C115288-6571	MDM-31PSBF-FR172-FR022	C115288-6573
		37	MDM-37PSB-FR172-FR022	C115288-6124	MDM-37PSBE-FR172-FR022	C115288-6575	MDM-37PSBF-FR172-FR022	C115288-6577
		51	MDM-51PSB-FR172-FR022	C115288-6357	MDM-51PSBE-FR172-FR022	C115288-6579	MDM-51PSBF-FR172-FR022	C115288-6581
	Socket	9	MDM-9SSB-FR172-FR022	C115288-6118	MDM-9SSBE-FR172-FR022	C115288-6583	MDM-9SSBF-FR172-FR022	C115288-6584
		15	MDM-15SSB-FR172-FR022	C115288-6120	MDM-15SSBE-FR172-FR022	C115288-6586	MDM-15SSBF-FR172-FR022	C115288-6588
		21	MDM-21SSB-FR172-FR022	C115288-6358	MDM-21SSBE-FR172-FR022	C115288-6590	MDM-21SSBF-FR172-FR022	C115288-6591
		25	MDM-25SSB-FR172-FR022	C115288-6122	MDM-25SSBE-FR172-FR022	C115288-6411	MDM-25SSBF-FR172-FR022	C115288-6594
		31	MDM-31SSB-FR172-FR022	C115288-6359	MDM-31SSBE-FR172-FR022	C115288-6596	MDM-31SSBF-FR172-FR022	C115288-6598
		37	MDM-37SSB-FR172-FR022	C115288-6125	MDM-37SSBE-FR172-FR022	C115288-6600	MDM-37SSBF-FR172-FR022	C115288-6602
		51	MDM-51SSB-FR172-FR022	C115288-6360	MDM-51SSBE-FR172-FR022	C115288-6604	MDM-51SSBF-FR172-FR022	C115288-6606

AMERICAS

Tel: +1.617.969.3700

ASIA

Tel: +852.3713.5288

EUROPE

Tel: +33.1.60.24.51.51



X-ON Electronics

Largest Supplier of Electrical and Electronic Components

Click to view similar products for [D-Sub Tools & Hardware](#) category:

Click to view products by [C&K](#) manufacturer:

Other Similar products are found below :

[173112-0667](#) [173112-0759](#) [173112-0967](#) [173112-0291](#) [173112-0456](#) [000-01-09-132](#) [000-01-21-132](#) [000-01-31-162](#) [572019-00105-70](#)
[000-01-37-162](#) [621-250-113-115](#) [D20418-2R](#) [D20418-J3F](#) [70521CLF](#) [70524BLF](#) [70527BLF](#) [70527CLF](#) [F1042-1PLAH](#) [750643-1](#) [780-010-06G4-00C](#) [780-518-50SG6-WS](#) [863004ATLF](#) [86552009](#) [86553115TLF](#) [86553117TLF](#) [86553156LF](#) [FSGK1/5](#) [980-8554-000](#) [980-8555-000](#)
[980-8557-000](#) [980-8558-000](#) [1230032-1](#) [1-5021101-2](#) [15-000050](#) [1589283-4](#) [160-000-005R031](#) [16-000230](#) [160-020-109R000](#) [160-025-004R031](#) [160-015-003R031](#) [160-020-209R000](#) [160X10909X](#) [164C03939A](#) [177-505-A-2-2](#) [177-505-C-4-4](#) [179-013-1H](#) [1-966830-8](#) [21018-621028-3](#) [213622-5](#)