

# CG Series Single Pole Power Rocker Switches

## Features/Benefits

- Bevelled frame
- Illuminated versions available
- Easy panel mount installation

## Typical Applications

- Computers and peripherals
- Small appliances
- Instrument panels
- Industrial controls
- RoHS compliant



**UL** **UL 61058-1**

## Specifications

CONTACT RATING:  
 16 AMPS @ 125 VAC, 10 AMPS @ 250 VAC.  
 10 AMPS @ 250 VAC, 6 AMPS @ 250 VAC.  
 ELECTRICAL LIFE: 10,000 make and break cycles at full load.  
 INSULATION RESISTANCE: 10<sup>8</sup> Ω min.  
 DIELECTRIC STRENGTH: 1,500 VRMS @ sea level.  
 OPERATING TEMPERATURE: -20°C to +85°C

## Materials

HOUSING AND ACTUATOR: 6/6 nylon (UL94V-2), black, matte finish.  
 ILLUMINATED ACTUATOR: Polycarbonate, matte finish.  
 CENTER CONTACTS: Silver plated, copper alloy.  
 END CONTACTS: Silver plated.  
 ALL TERMINALS: Silver plated, copper alloy.

**NOTE:** Specifications and materials listed above are for switches with standard options. For information on specific and custom switches, consult Customer Service Center.

## Build-A-Switch

To order, simply select desired option from each category and place in the appropriate box. Available options are shown and described on pages G-87 through G-89. For additional options not shown in catalog, consult Customer Service Center.

<input type="checkbox"/> <input type="checkbox"/> <input type="checkbox"/> <input type="checkbox"/> <input type="checkbox"/> <input type="checkbox"/> <input type="checkbox"/> <input type="checkbox"/> <input type="checkbox"/> <input type="checkbox"/> <input type="checkbox"/> <input type="checkbox"/> <input type="checkbox"/> <input type="checkbox"/> <input type="checkbox"/> <input type="checkbox"/> <input type="checkbox"/> <input type="checkbox"/> <input type="checkbox"/> <input type="checkbox"/>	
<b>Switch Function</b> <input type="checkbox"/>	
<b>CG101</b> SPDT On-None-On <b>CG102</b> SPST On-None-Off <b>CG103</b> SPDT On-Off-On <b>CG105</b> SPDT Mom-Off-Mom <b>CG12</b> * SPST On-None-Off	
<b>Actuator</b> <input type="checkbox"/>	
<b>J1</b> Rocker <b>J2</b> **Two-tone rocker <b>J3</b> Illuminated rocker	<b>Actuator Color</b> <input type="checkbox"/>
	<b>2</b> Black <b>1</b> White <b>3</b> Red <b>R</b> Red, illuminated <b>A</b> Amber, illuminated <b>G</b> Green, illuminated
<b>Mounting Style/Color</b> <input type="checkbox"/>	
<b>S2</b> Snap-in, black <b>S1</b> Snap-in, white	
<b>Termination</b> <input type="checkbox"/>	
<b>05</b> .250" quick connect	
<b>Actuator Marking</b> <input type="checkbox"/>	
<b>(NONE)</b> No marking <b>D</b> ON-OFF <b>H</b> "O I" - international ON-OFF <b>P</b> "O -" international ON-OFF	
<b>Contact Rating</b> <input type="checkbox"/>	
<b>QF</b> Silver	
<b>Lamp Rating</b> <input type="checkbox"/>	
<b>(NONE)</b> No lamp <b>7</b> 125 VAC neon <b>8</b> 250 VAC neon	

\* CG12 — for switches with both marking and illumination

\*\* J2 — refer to table on next page for actuator options

Rocker



Dimensions are shown: Inches (mm)  
 Specifications and dimensions subject to change



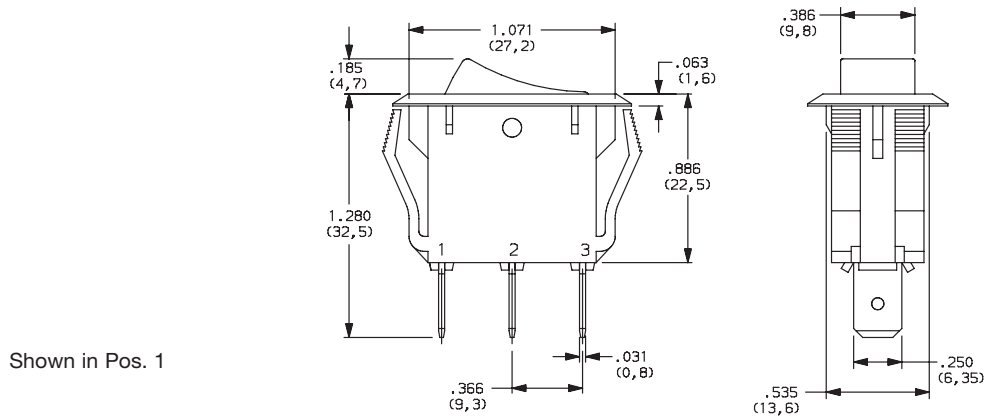
# CG Series Single Pole Power Rocker Switches

## SWITCH FUNCTION



NO. POLES	MODEL NO.	SWITCH FUNCTION			CONNECTED TERMINALS			SCHEMATIC
		Pos. 1	Pos. 2	Pos. 3	Pos. 1	Pos. 2	Pos. 3	
		C&K marking on opposite side			C&K marking on opposite side			
SP	<b>CG101</b>	ON	NONE	ON	1-2		2-3	
	<b>CG102</b>	ON	NONE	OFF	1-2	N/A	OPEN	
	<b>CG103</b>	ON	OFF	ON	1-2	OPEN	2-3	
	<b>CG105</b>	MOM	OFF	MOM	1-2	OPEN	2-3	
	<b>CG12 *</b>	ON	NONE	OFF	1-2	N/A	OPEN	

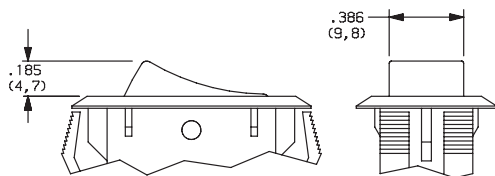
\* CG12 - for switches with both marking and illumination



## ACTUATOR

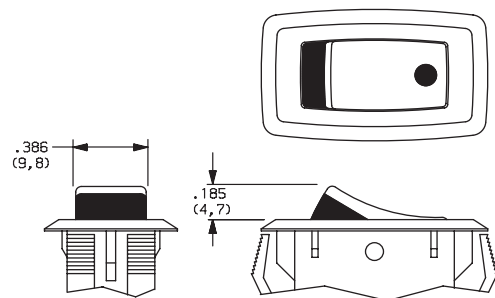


- J1** ROCKER
- J3** ILLUMINATED ROCKER



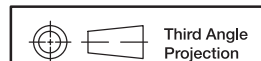
NOTE: J3 actuator available with CG102 switch function only.

- J2** TWO-TONE ROCKER



NOTE: Available with CG102 switch function only.

Rocker



Third Angle Projection

Dimensions are shown: Inches (mm)  
Specifications and dimensions subject to change



# CG Series Single Pole Power Rocker Switches

## ACTUATOR COLOR



ACTUATOR	OPTION CODE	ACTUATOR COLOR
<b>J1</b>	<b>2</b>	BLACK
	<b>1</b>	WHITE
	<b>3</b>	RED
<b>J3</b>	<b>R</b>	RED, ILLUMINATED
	<b>A</b>	AMBER, ILLUMINATED
	<b>G</b>	GREEN, ILLUMINATED

OPTION CODE	ACTUATOR COLOR	
	TOP	BOTTOM
<b>1</b>	WHITE	RED
<b>2</b>	WHITE	BLACK
<b>3</b>	RED	WHITE
<b>4</b>	BLACK	WHITE
<b>5</b>	BLACK	RED

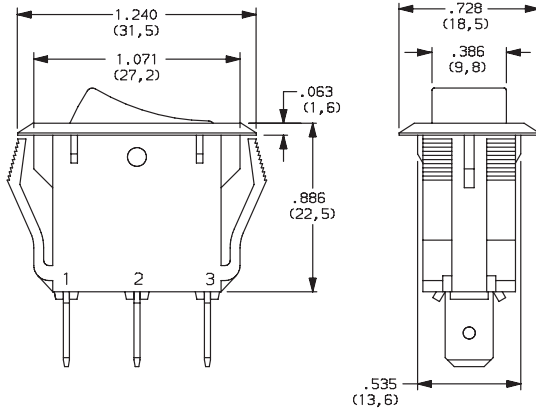
J2 actuator only

## MOUNTING STYLE/COLOR



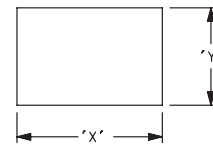
**S2** SNAP-IN, BLACK

**S1** SNAP-IN, WHITE



Shown in Pos. 1

### PANEL MOUNTING

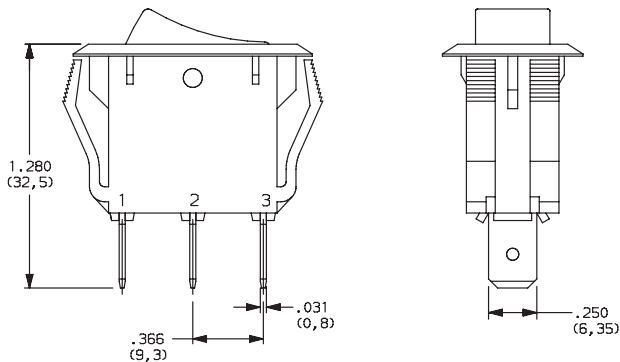


PANEL THICKNESS	"X"	"Y"
0.030-0.049 (0,75-1,25)	1.087-.004 (27,6-0,1)	0.543+.004 (13,8+0,1)
0.049-0.079 (1,25-2,0)	1.094-.004 (27,8-0,1)	0.543+.004 (13,8+0,1)
0.079-0.118 (2,0-3,0)	1.102-.004 (28,0-0,1)	0.543+.004 (13,8+0,1)

## TERMINATION



**05** .250" QUICK CONNECT



Shown in Pos. 1



# CG Series Single Pole Power Rocker Switches

## ACTUATOR MARKING



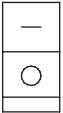
**NONE** NO MARKING



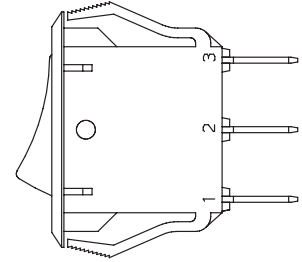
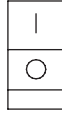
**D** ON-OFF



**H** 01



**P** 0-



**NOTE:** Orientation of actuator marking and terminals.

Shown in Pos. 1

## CONTACT MATERIAL



OPTION CODE	CONTACT AND TERMINAL MATERIAL	RATINGS	
<b>QF</b>	SILVER	POWER	16 AMPS @ 125 VAC; 10 AMPS @ 250 VAC 10 AMPS @ 250 VAC

\* Note: See Technical Data section of this catalog for RoHS compliant and compatible definitions and specifications.



## LAMP RATING



**(NONE)** NO LAMP

**7** 125 VAC 33kΩ NEON

**8** 250 VAC 150kΩ NEON

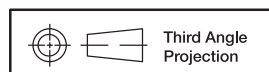
**NOTE:** Lamp rating for J3 actuator option.

Rocker



G

**C&K**



Dimensions are shown: Inches (mm)  
Specifications and dimensions subject to change

## X-ON Electronics

Largest Supplier of Electrical and Electronic Components

*Click to view similar products for [Rocker Switches](#) category:*

*Click to view products by [C&K](#) manufacturer:*

Other Similar products are found below :

[LTI LA6E-1S-WH-RC-FN12VXCR1](#) [6-1571986-9](#) [8007K26N324V52](#) [8055K32Z7V](#) [8055K52Z7V](#) [8138K20E6M50](#) [84206L](#) [84312LX](#)  
[PREDD5-07F-BB0GW](#) [999-16716-002](#) [999-16716-003](#) [999-16716-004](#) [A101J1V3Q004](#) [A101J2ZQ004](#) [A101J4ZQ004](#) [A101J51CB0004](#)  
[A103J1ZQ004](#) [A201J1AQ004](#) [A201J3ZB004](#) [A201J50ZQ004](#) [A203J51ZQ0004](#) [A435S1YZQ](#) [H8500XBBBBBL-A](#) [H8653VBBG2577W](#)  
[HB130CHNWWNAAC](#) [R13112ABB-602W](#) [1251.0303](#) [AE205J60V3B004](#) [1352.0107](#) [1571099-3](#) [1571987-4](#) [1571987-5](#) [1571989-7](#)  
[1571988-5](#) [B123J77V7B2](#) [B226J50W4Q22P](#) [B433J37ZQ22M](#) [160212E](#) [1634200-7](#) [1801.1164](#) [1839.1502](#) [PANEL-PLUG-VHP-BLACK](#)  
[PANEL-PLUG-VHP-WT](#) [K1ABBSCADN](#) [KG312A2DXD246X](#) [250011E714](#) [2600HM11E](#) [2600R21E](#) [2637LH/2A7/122048L0](#)  
[2639LH/2A7/127000L0](#)