

CRE Series 10mm DIP Coded Rotary Switches

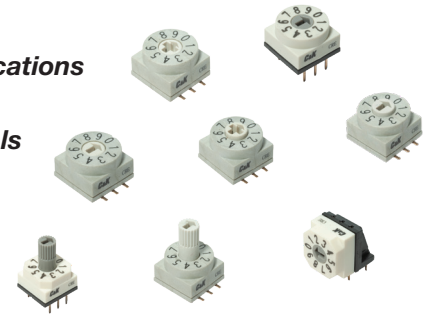
H
DIP

Features/Benefits

- **Process sealed – withstands soldering and cleaning**
- **Thru-hole and surface mount models**
- **New designs with different actuators**
- **RoHS compatible and compliant**
- **New generation price competitive**
- **IP65**

Typical Applications

- **Address switching applications**
- **Data storage devices**
- **Computer and peripherals**
- **Instrumentation**



Specifications

CONTACT RATING: 42 V DC 150mA (switching), 200mA (non-switching)

MECHANICAL & ELECTRICAL LIFE: 10,000 cycles

INITIAL CONTACT RESISTANCE: 200 mΩ max.

INSULATION RESISTANCE: 100 MΩ min.

OPERATING TEMPERATURE: -40°C to 85°C.

STORAGE TEMPERATURE: -40°C to 85°C.

OPERATING FORCE: 700 gf max.

SOLDER CONDITIONS:

- Straight and right-angle types: Iron soldering 2s/340°C, wave soldering 5s/280°C
- Through-hole and SMT types: Iron soldering 2s/340°C, wave soldering: 5s/280°C, reflow soldering 10s/260°C

SOLDERABILITY: Dip and look solderability testing per C&K spec #448

PACKAGING: Switches are supplied in rigid dispensing tubes in full-tube quantities only, this may affect order quantities. Number of switches per tube varies with model. Tape and reel packing also available with exception for the right-angle “A” type terminations.

Materials

COVER:

- Straight and right-angle types: Nylon#66 (G45%)
- Through-hole and SMT types: LCP (G30%)

BASE:

- Straight and right-angle types: Nylon#66 (G45%)
- Through-hole and SMT types: LCP (G30%)

ACTUATOR:

- Straight and right-angle types: Poly Acetal
- Through-hole and SMT types: Nylon#66 (G45%)

CONTACTS: Brass with Gold nickel plating

TERMINALS: Brass with Gold nickel plating

How To Order

The Build-A Switch concept allows you to mix and match options to create the switch you need. Below is a complete listing of options shown in catalog. To order, simply select desired option from each category and place in the appropriate box.

<p>Number of positions</p> <p>04 4 position</p> <p>06 6 position</p> <p>08 8 position</p> <p>10 10 position</p> <p>16 16 position</p>	<p>Coding</p> <p>R Real or BCD code</p> <p>C Complement code</p>	<p>Shape of surface</p> <p>OT Octagon Type</p> <p>RD Round Type</p>	<p>Actuator</p> <p>M0 Flush, Screw type “->” [Slot Screw Drive Type]</p> <p>M1 Flush, Screw type “+” [Cross Screw Drive Type]</p> <p>L0 Extended, Screw type “->” [Slot Screw Drive Type]</p> <p>P0 Protrusion, Screw type “->” [Slot Screw Drive Type]</p> <p>P1 Protrusion, Screw type “+” [Cross Screw Drive Type]</p>	<p>Terminations</p> <p>A Right Angle, PC Thru-hole (Only available for actuator M0 & M1)</p> <p>C PC Thru-hole</p> <p>S Gull Wing</p>	<p>Packaging</p> <p>(None) Tube</p> <p>R Tape & Reel (Not available for termination type A & C)</p>
---	---	--	--	---	--

Remarks in Annotation



Third Angle
Projection

CRE Series 10mm DIP Coded Rotary Switches

CODING

DIP I

R Real Code

04 POSITION

		Real Code				
04 POSITION		C	1	2	4	8
0	0	•	•			
1	1	•		•		
2	2	•			•	
3	3	•				•

06 POSITION

		Real Code				
06 POSITION		C	1	2	4	8
0	0	•	•			
1	1	•		•		
2	2	•			•	
3	3	•				•
4	4	•	•	•		
5	5	•				•
6	6	•				

08 POSITION

		Real Code				
08 POSITION		C	1	2	4	8
0	0	•	•			
1	1	•		•		
2	2	•			•	
3	3	•				•
4	4	•	•	•		
5	5	•				•
6	6	•				
7	7	•	•	•	•	

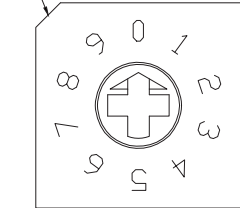
10 POSITION

		Real Code				
10 POSITION		C	1	2	4	8
0	0	•	•			
1	1	•		•		
2	2	•			•	
3	3	•				•
4	4	•	•	•		
5	5	•				•
6	6	•				
7	7	•	•	•	•	
8	8	•				•
9	9	•	•	•	•	•

16 POSITION

		Real Code				
16 POSITION		C	1	2	4	8
0	0	•	•			
1	1	•		•		
2	2	•			•	
3	3	•				•
4	4	•	•	•		
5	5	•				•
6	6	•				
7	7	•	•	•	•	
8	8	•				•
9	9	•	•	•	•	•
A	A	•				•
B	B	•				
C	C	•	•	•	•	
D	D	•				•
E	E	•				
F	F	•	•	•	•	•

PIN 1 INDICATOR



C Complement Code

04 POSITION

		Complement Code				
04 POSITION		C	1	2	4	8
0	0	•	•	•	•	•
1	1	•	•	•	•	•
2	2	•	•	•	•	•
3	3	•	•	•	•	•

06 POSITION

		Complement Code				
06 POSITION		C	1	2	4	8
0	0	•	•	•	•	•
1	1	•	•	•	•	•
2	2	•	•	•	•	•
3	3	•	•	•	•	•
4	4	•	•	•	•	•
5	5	•	•	•	•	•

08 POSITION

		Complement Code				
08 POSITION		C	1	2	4	8
0	0	•	•	•	•	•
1	1	•	•	•	•	•
2	2	•	•	•	•	•
3	3	•	•	•	•	•
4	4	•	•	•	•	•
5	5	•	•	•	•	•
6	6	•	•	•	•	•
7	7	•	•	•	•	•

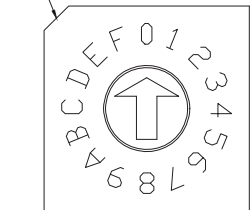
10 POSITION

		Complement Code				
10 POSITION		C	1	2	4	8
0	0	•	•	•	•	•
1	1	•	•	•	•	•
2	2	•	•	•	•	•
3	3	•	•	•	•	•
4	4	•	•	•	•	•
5	5	•	•	•	•	•
6	6	•	•	•	•	•
7	7	•	•	•	•	•
8	8	•	•	•	•	•
9	9	•	•	•	•	•

16 POSITION

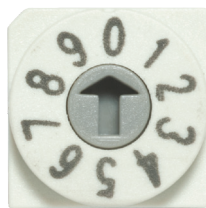
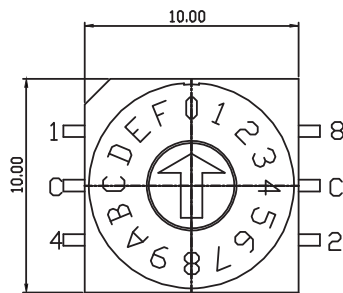
		Complement Code				
16 POSITION		C	1	2	4	8
0	0	•	•	•	•	•
1	1	•	•	•	•	•
2	2	•	•	•	•	•
3	3	•	•	•	•	•
4	4	•	•	•	•	•
5	5	•	•	•	•	•
6	6	•	•	•	•	•
7	7	•	•	•	•	•
8	8	•	•	•	•	•
9	9	•	•	•	•	•
A	A	•	•	•	•	•
B	B	•	•	•	•	•
C	C	•	•	•	•	•
D	D	•	•	•	•	•
E	E	•	•	•	•	•
F	F	•	•	•	•	•

PIN 1 INDICATOR

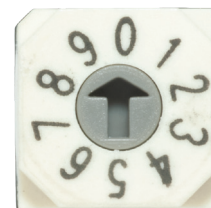
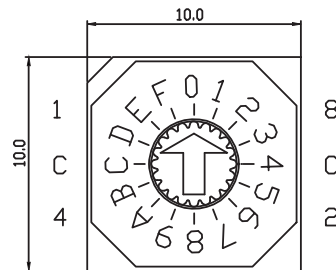


SHAPE OF SURFACE

RD Round Type



OT Octagon Type



Third Angle Projection

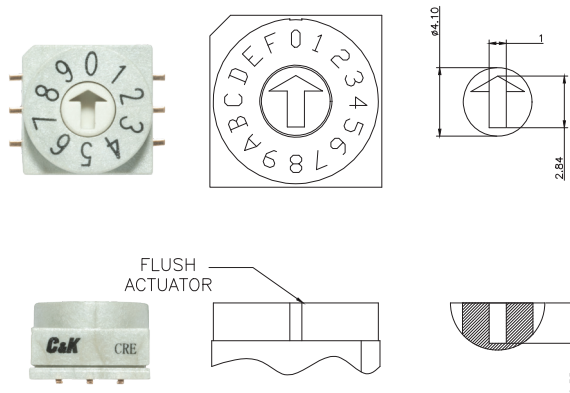
CRE Series 10mm DIP Coded Rotary Switches



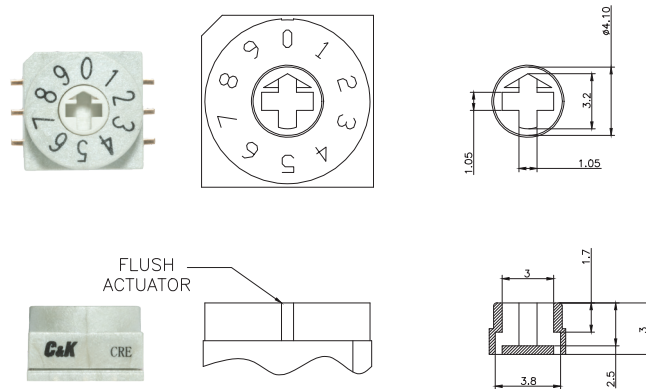
DIP

ACTUATOR

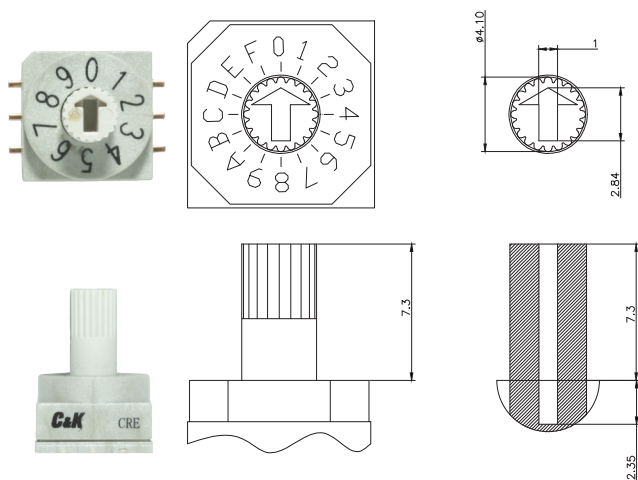
M0 Flush, Screw type “->”



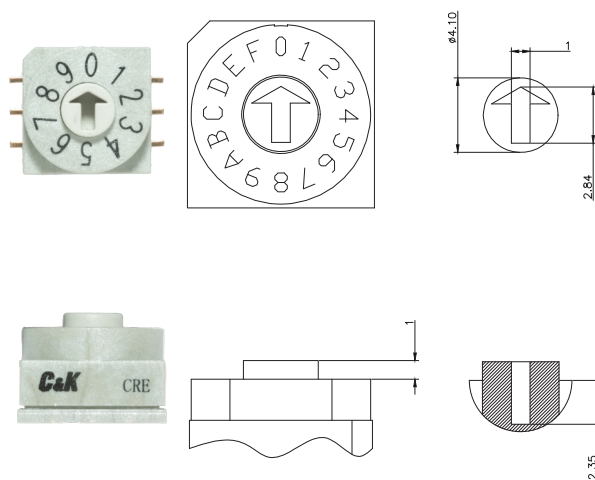
M1 Flush, Screw type “+”



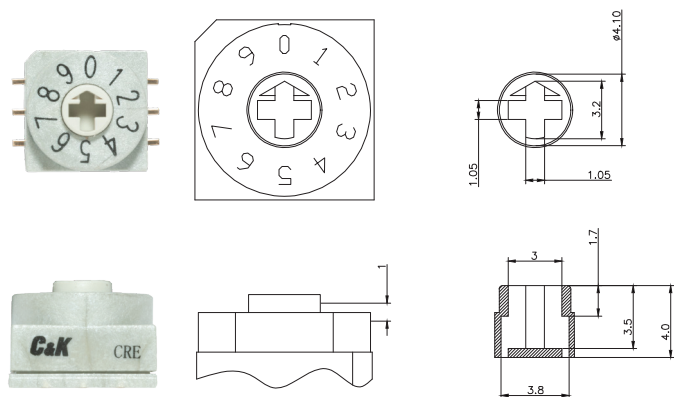
L0 Extended, Screw type “->”



P0 Protrusion, Screw type “->”



P1 Protrusion, Screw type “+”



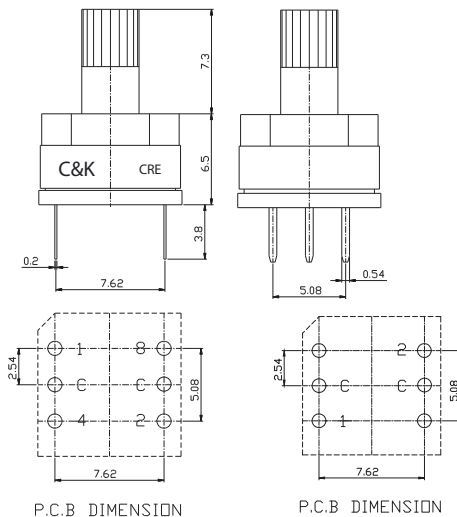
Third Angle
Projection

Dimensions are shown: Inch (mm)
Specifications and dimensions subject to change

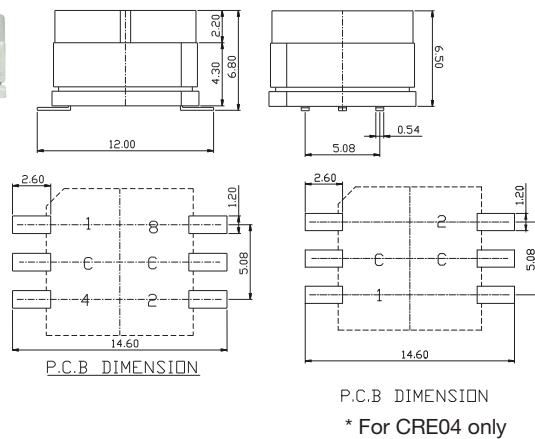
CRE Series 10mm DIP Coded Rotary Switches

TERMINATIONS

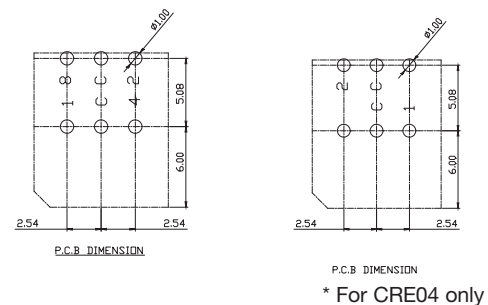
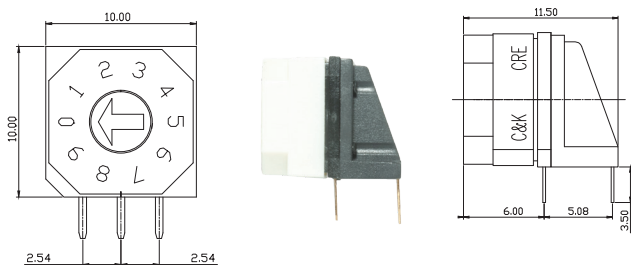
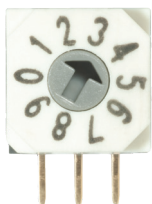
C PC Thru-hole



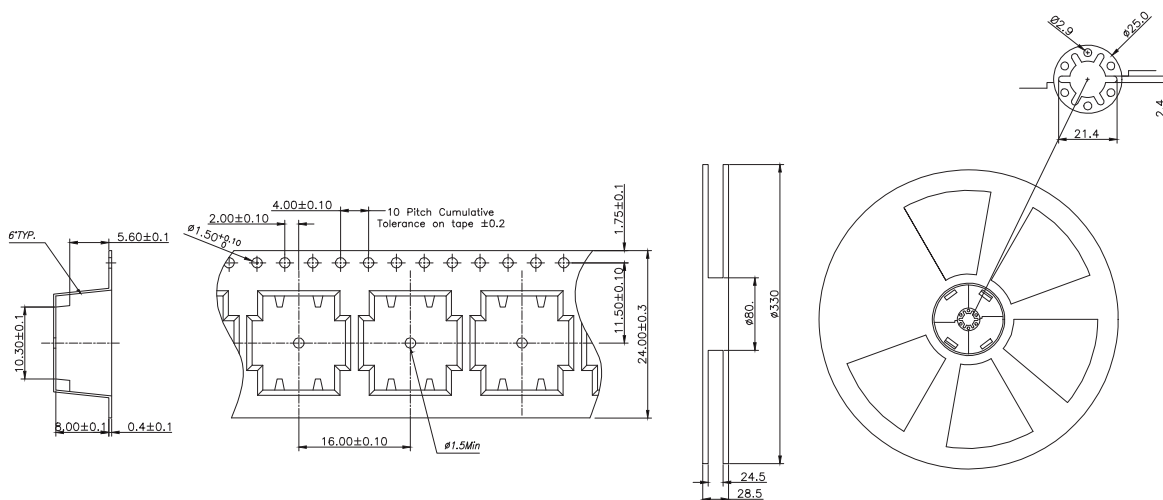
S Gull wing



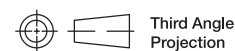
A Right Angle Thru-hole



TAPE & REEL



TAPE & REEL: 600 pcs



Third Angle Projection



3 Dec 21

Dimensions are shown: Inch (mm)
Specifications and dimensions subject to change

X-ON Electronics

Largest Supplier of Electrical and Electronic Components

Click to view similar products for [Coded Rotary Switches](#) category:

Click to view products by [C&K](#) manufacturer:

Other Similar products are found below :

[94HCB08W](#) [94HCB10WR](#) [PT65503RT](#) [P60AS703](#) [P60A503](#) [P65THR101L254](#) [RTE16 LFTSVTPL 13613](#) [GSDR-10S](#) [CRD10CM0SBR](#)
[DRS4116](#) [RTE1600R44](#) [ERD110RSZ](#) [ERD116CSZ](#) [ERD116RSZ](#) [ERD716M06Z](#) [94HBB16WT](#) [94HBB10WT](#) [94HAC10T](#) [94HAB16T](#)
[94HAB10WT](#) [94HAB10RAT](#) [94HAB08WT](#) [ERD216RSZ](#) [ND3FR10P](#) [DRR3110](#) [S-4010TA](#) [94HCB16WT](#) [94HCB16T](#) [94HCB10RAT](#)
[94HCB08T](#) [94HAB16RAT](#) [94HAB10T](#) [94HAB08T](#) [S-2031A](#) [S-1010A](#) [RTE1000V14](#) [RTBH31BS10ANNZP](#) [PT65501L254](#) [PT65127L254](#)
[PT65502L508](#) [1-1825007-1](#) [1-1825007-6](#) [ND3FR16B](#) [ND3FR16P-R](#) [SMR14116](#) [RTE0400N04](#) [RTE1000N14](#) [RTE1002G14](#) [RTE1002N14](#)
[RTE1010N14](#)