

## Features/Benefits

- Easy X, Y coding on single side PCB
- Positive/ smooth tactile feedback
- High temperature
- Wide variety of colors & styles
- Illuminated versions available
- RoHS compliant and compatible

## Typical Applications

- Video
- Electronic games
- Appliances



## Construction

FUNCTION: momentary  
 CONTACT ARRANGEMENT: 1 make contact (SPST), NO  
 DISTANCE BETWEEN BUTTON CENTERS, MIN.: 12,7 (0.500)  
 TERMINALS: PC pins

## Electrical

|   | Non-Illuminated  | Illuminated   |
|---|--|---|
| SWITCHING POWER MAX.:                     | 3 VA   | 0.35 VA   |
| SWITCHING VOLTAGE MAX.:                   | 32 V DC  | 35 V DC   |
| SWITCHING CURRENT MAX.:                   | 100 mA DC  | 10 mA DC  |
| OPERATING LIFE with max. switching power: | Version F1: 250 000 operations<br>Version F2: 100 000 operations | Version F1: 100 000 operations<br>Version F2: 30 000 operations |
| CONTACT RESISTANCE:                       | ≤100 mΩ  | ≤200 mΩ   |
| DIELECTRIC STRENGTH (50 Hz / 1 min):      | 250 V  |   |
| INSULATION RESISTANCE:                    | ≥10 <sup>9</sup> Ω   |   |
| BOUNCE TIME:                              | ≤10 ms   |   |

## Mechanical

|                   | Non-Illuminated  | Illuminated  |
|-------------------|--|--|
| SWITCHING TRAVEL: | Version F1: 0.2 mm ≤ Te ≤ 1.0 mm<br>Version F2: 0.3 mm ≤ Te ≤ 1.1 mm | 0.4 mm ≤ Te ≤ 0.8 mm   |
| OPERATING FORCE:  | Version F1: 0.8N ≤ Fa ≤ 1.8N<br>Version F2: 2.0N ≤ Fa ≤ 3.5N         | Version F1: 0.8N ≤ Fa ≤ 1.8N<br>Version F2: 1.5N ≤ Fa ≤ 2.5N |
| SEALING:          | IP40   |  |

## Environmental

|                        | Non-Illuminated | Illuminated   |
|------------------------|-----------------|---------------|
| OPERATING TEMPERATURE: | -20°C to 85°C   | -20°C to 60°C |

## Process

### SOLDERABILITY:

Wave soldering, compatible with lead free soldering profile  
 Hand soldering, 350°C for 3 seconds

## Packaging

The D6 switches are delivered in boxes containing 10 trays with 250 pieces each:  
 Total 2,500 pieces per box.  
 The D6 buttons are delivered in bulk with 2500 pieces per box.

# D6 SPST Momentary Key Switches

## How To Order

Our easy build-a-switch concept allows you to mix and match options to create the switch you need. To order, select desired option from each category and place it in the appropriate box.

### NON-ILLUMINATED

#### Switch

**Series**  
**D6C** Square  
**D6R** Round  
**D6L\*** Plunger  
**D6F\*\*** Flat

**Switch Color**  
**00** White  
**10** Gray  
**30** Yellow  
**40** Red  
**50** Green  
**60** Blue  
**90** Black

**Force**  
**F1** 1.3N (STD)  
**F2** 2.5N

RoHS compliant and compatible product

\*Available only in color 90 (black)  
 \*\* Available only in color 90 (black) and 00 (white)

#### Button

Buttons can be ordered separately  
 Shipped in bulk

D6 button for use with D6C only

**Series**  
**BTND6** Button

**Button Color**  
**00** White  
**10** Gray  
**30** Yellow  
**40** Red  
**50** Green  
**60** Blue  
**90** Black

Version F1 or F2

### ILLUMINATED

#### Switch

**Series**  
**D6R** Round

**LED**  
**L** LED

**LED Color 1**  
**WH** White  
**YE** Yellow  
**RD** Red  
**GN** Green  
**BU** Blue  
**PG** Pure Green  
**AM** Amber

**LED Color 2**  
**WH** White  
**YE** Yellow  
**RD** Red  
**GN** Green  
**BU** Blue  
**PG** Pure Green  
**AM** Amber

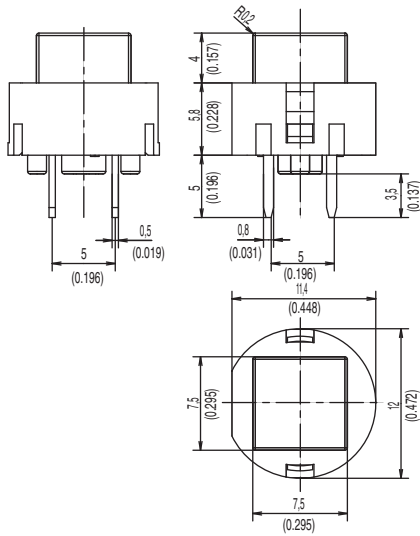
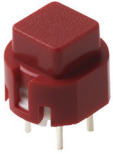
**Force**  
**F1** 1.3N  
**F2** 2.0N

RoHS compliant and compatible product

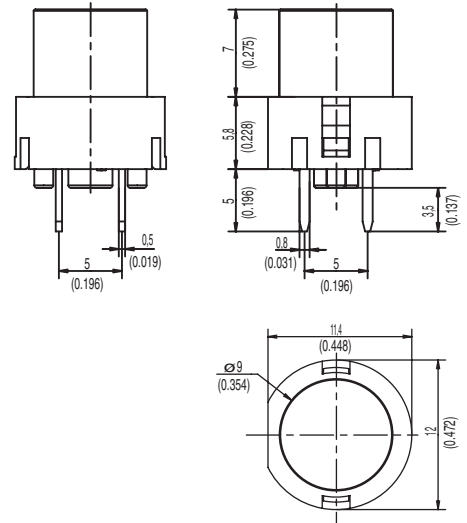
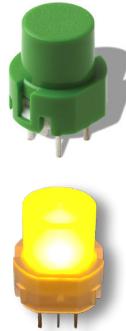
# D6 SPST Momentary Key Switches

## SERIES

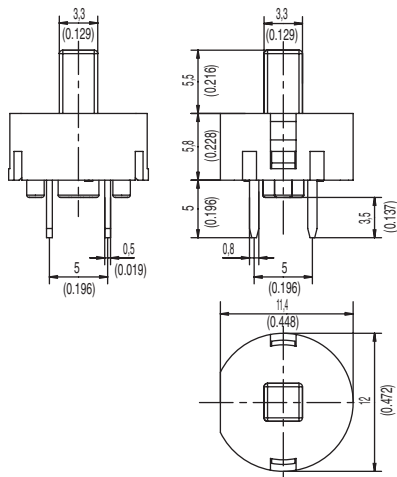
**D6C**



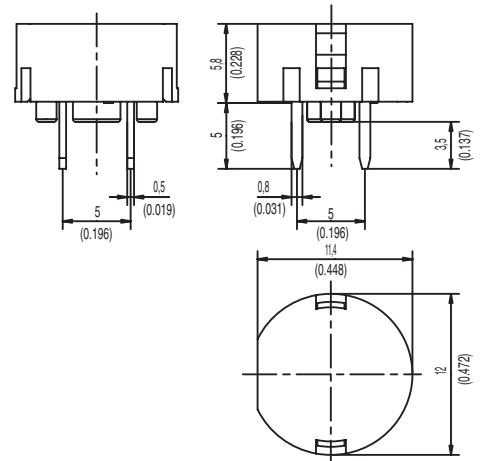
**D6R**



**D6L ONLY AVAILABLE IN BLACK**



**D6F**

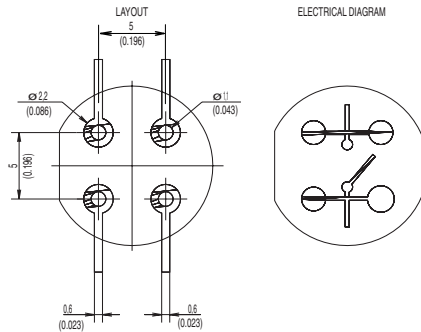


Dimensions are shown: mm  
Specifications and dimensions subject to change

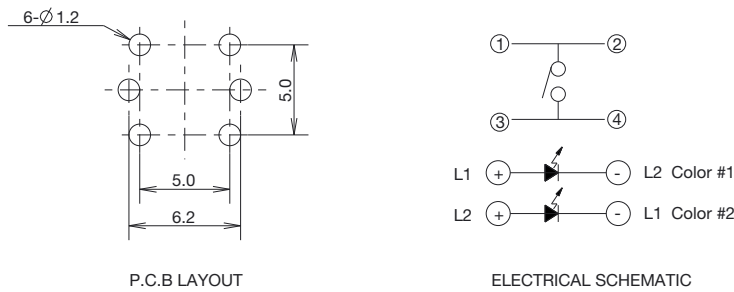
# D6 SPST Momentary Key Switches

## PCB LAYOUT

### Switch (Non-Illuminated)



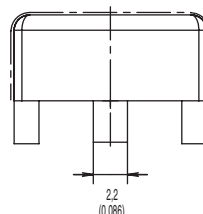
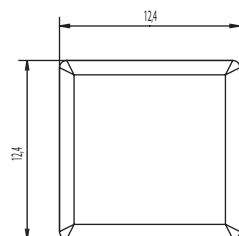
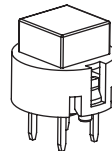
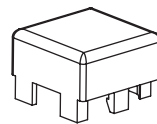
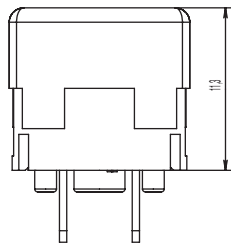
### Switch (Illuminated)



## BUTTON AVAILABLE

**BTND6** Buttons must be ordered separately. Shipped in bulk.

**NOTE:** Only compatible with D6C



| OPTION CODE | BUTTON COLOR |
|-------------|--------------|
| 00          | WHITE        |
| 10          | GRAY         |
| 30          | YELLOW       |
| 40          | RED          |
| 50          | GREEN        |
| 60          | BLUE         |
| 90          | BLACK        |



Dimensions are shown: mm  
Specifications and dimensions subject to change

## X-ON Electronics

Largest Supplier of Electrical and Electronic Components

*Click to view similar products for [Pushbutton Switches](#) category:*

*Click to view products by [C&K](#) manufacturer:*

Other Similar products are found below :

[8940K2012](#) [LW1L-M1C10V-A](#) [LW1L-M1C70-A](#) [LW2L-A1C20M-GD](#) [LW2L-M1C20M-A](#) [60324L](#) [M22-D-R-GB0/K11](#) [M7E-HRN2](#)  
[67021K512](#) [67081K512X](#) [701PB580](#) [7199K101](#) [810K12910](#) [810KSV30B](#) [MML21EA2ADK](#) [MML21KA3ABK](#) [MML23KA3AC05K-001](#)  
[MML23KW3AA01W](#) [8418K2](#) [8442K3](#) [8450K1](#) [860K11911T01A](#) [861901](#) [861K11911T01A07](#) [861K13810T00A14](#) [861K13911](#)  
[8646AB6X718UL](#) [8646ABUL](#) [9001KXRK](#) [907AYY100](#) [PMHD155A1](#) [9533CD4+U574+U4922](#) [95-414.000](#) [99-450.837](#) [99-453.837](#)  
[PV3H2B0NN-341](#) [1203MRA](#) [A22NZBGANGA](#) [A22NZBNANGA](#) [A22NZMPATRA](#) [A2PMA1X03EC56](#) [A3A-5123-02](#) [A3A-7140](#) [A3A-7310](#) [A3A-7340](#) [A3U-TMW-A2C-5M](#) [A595](#) [12037A2ULCSA](#) [ABD122N-B](#) [1211390004](#)