

ENC Series Optical Encoder



Features/Benefits

- Clear detent/haptic feel
- Two channel, 2-bit code output
- Quadrature (Incremental type)
- Integrated pushbutton
- Panel mount with screw thread
- Cable and connector termination

Typical Applications

- Automotive interior control
- Industrial equipment
- Test & Instrumentation
- Medical equipment

Specifications

ROTARY

ELECTRICAL & MECHANICAL

OPERATING VOLTAGE: DC 5 ± 0.25V, 30mA max.

OUTPUT VOLTAGE: Logic high > 3V DC
Logic low < 1V DC

ROTATIONAL TORQUE: 265 gf-cm initially

MECHANICAL LIFE: 300K cycles

PUSHBUTTON

ELECTRICAL & MECHANICAL

OPERATING VOLTAGE: DC 5V, 10mA

INITIAL CONTACT RESISTANCE: 10 ohm max.

ACTUATION FORCE: 600 ± 20% gf

SHAFT TRAVEL: 0.74 ± 0.2mm

CONTACT BOUNCE: < 4ms make, < 10ms break

MECHANICAL LIFE: 300K cycles

Environmental Data

OPERATING TEMPERATURE: -40°C to + 90°C

OPERATING RELATIVE HUMIDITY: ≤ 96% RH, +40°C

STORAGE TEMPERATURE: -40°C to +90°C

Materials

ACTUATOR: Zinc Alloy

HOUSING FRAME: Zinc Alloy

DETENT ROTOR: POM, HB

DETENT SPRING: SUS

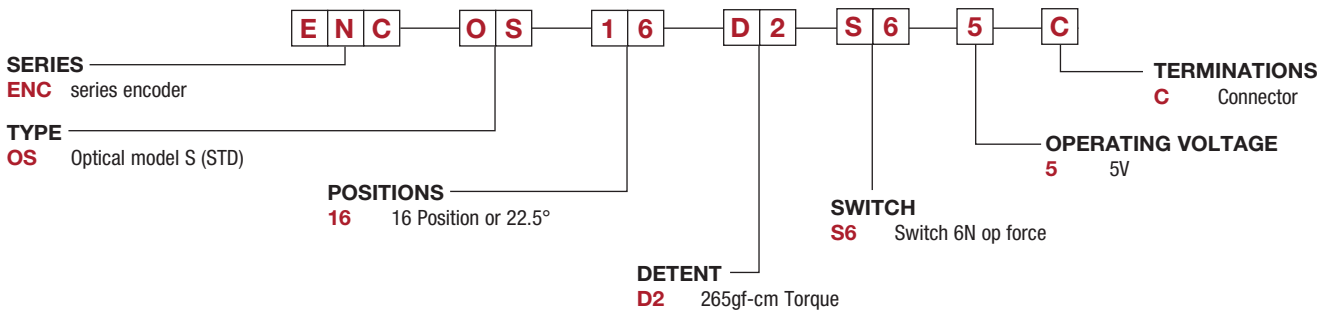
HOUSING UPPER: PA66, V0

HOUSING LOWER: POM, HB

PUSHBUTTON DOME: SUS

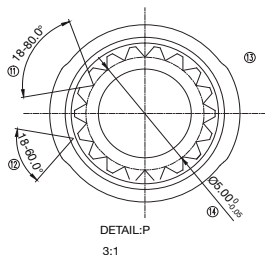
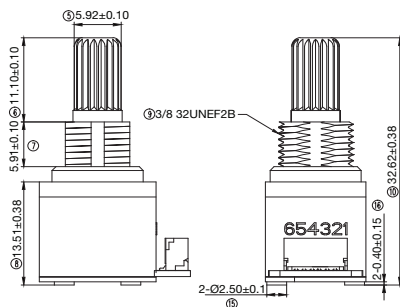
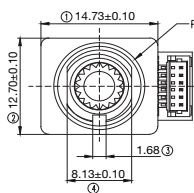
Build-A-Switch

Product specifications and technical information listed above are for standard offer on Optical Encoder. For special options and custom request, please contact your sales representative.



ENC Series Optical Encoder

PART NUMBER	PACKAGING
ENCOS16D2S65C	Tray



K

Rotary

X-ON Electronics

Largest Supplier of Electrical and Electronic Components

Click to view similar products for [Encoders](#) category:

Click to view products by [C&K](#) manufacturer:

Other Similar products are found below :

[6-1393048-0](#) [6-1393048-5](#) [62AG22-H5-P](#) [62B22-LP-030C](#) [63K25](#) [63K32](#) [63KS100](#) [63KS64](#) [63R100](#) [63R50-020](#) [63RS256-060](#) [700-09-36](#)
[RE12D300-201-1](#) [1393047-3](#) [2-1393047-2](#) [T101-5C2-111-M1](#) [T101-5C3-111-M1](#) [T101-5C4-111-M1](#) [385001M0439](#) [385001M0216](#)
[V23401H1409B101](#) [V23401T8002B802](#) [V23401U6019B609](#) [E69-1](#) [E69DF10](#) [E69-FCA](#) [62B11-LP-100S](#) [62B11-LPP-040C](#) [62N11-P](#)
[62S22-H9-120S](#) [62S30-L0-200C](#) [62V15-02-080S](#) [63K64](#) [63KS100-040](#) [63R64-050](#) [63RS64](#) [700-16-16](#) [V23401D3002B301](#)
[V23401D1001B102](#) [3-1393048-1](#) [63KS128](#) [63KS256](#) [1-1879391-5](#) [GH65C11-N-SO](#) [62S15-M0-P](#) [1393047-1](#) [E69-FCA02](#) [E69-FCA04](#)
[E69-DF20](#) [E69-DF2](#)