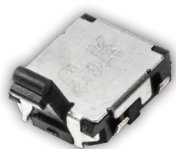


# FDSE Series Micro Mini Angled Actuated Detect Switches

**NEW**



## Features/Benefits

- Extremely small package size
- Angled Actuation
- Flat or Bending Terminations
- Long Travel Type
- RoHS Compatible and Compliant

## Typical Applications

- Consumer electronics
- Medical devices
- Safety control devices

## Specifications

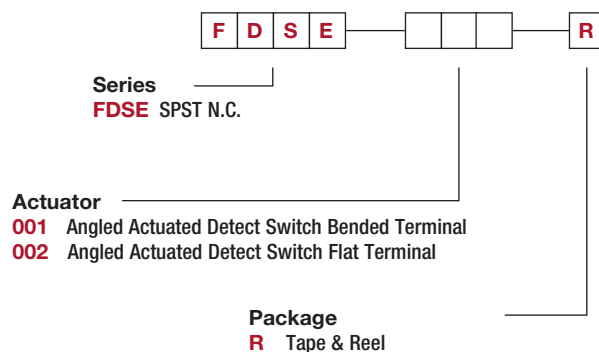
CONTACT RATING: 100  $\mu$ A @ 3VDC, 1 mA @ 5 VDC  
 MECHANICAL & ELECTRICAL LIFE: 50,000 operations  
 CONTACT RESISTANCE: 3  $\Omega$  max  
 INSULATION RESISTANCE: 100M  $\Omega$  min 100 VDC  
 DIELECTRIC STRENGTH: 100VAC @ 1 minute  
 OPERATING TEMPERATURE: -40°C to +85°C  
 OPERATING FORCE: 35 gf max.  
 TRAVEL: 3.14 mm or 60°  
 SOLDERABILITY: According to lead free solder profiles  
 PACKAGING: 2,000 pieces per reel.

## Materials

BASE: PA9T  
 COVER: C7701R  
 ACTUATOR: PA 46  
 MOVABLE CONTACT: Beryllium Copper  
 TERMINALS: Phosphor Bronze, Ag over Ni Plating

## Build-A-Switch

Complete part numbers for FDSE Series are shown below.



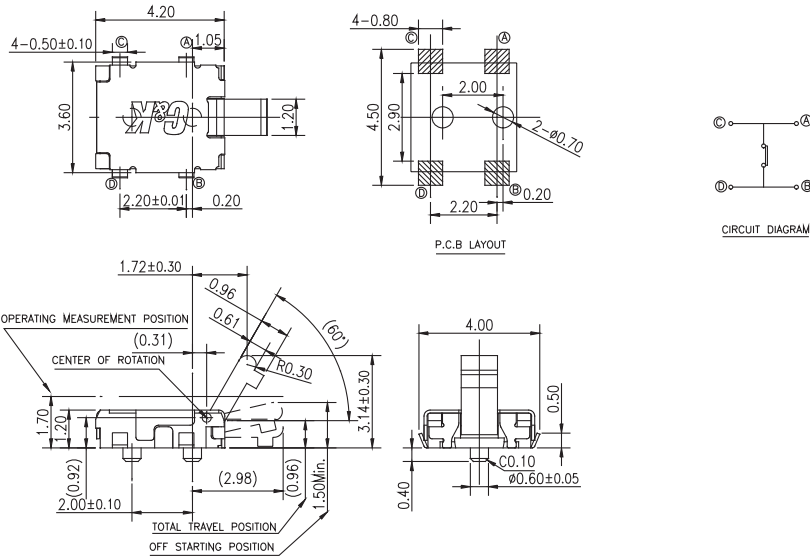
Detect

**NEW**

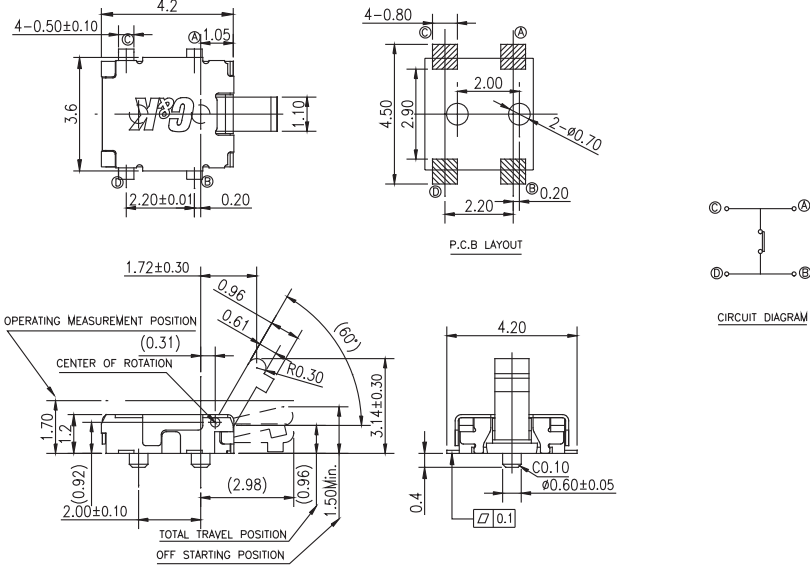
# FDSE Series Micro Mini Angled Actuated Detect Switches

## SERIES

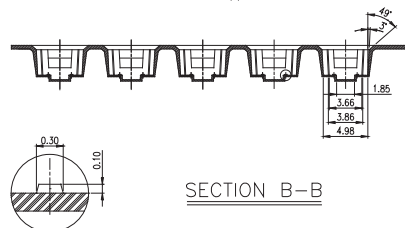
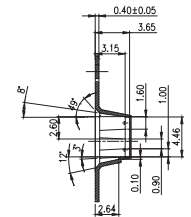
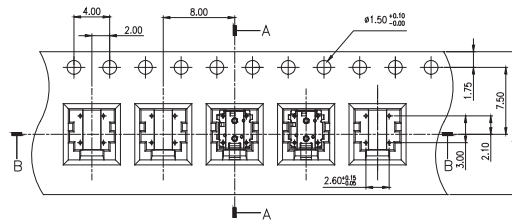
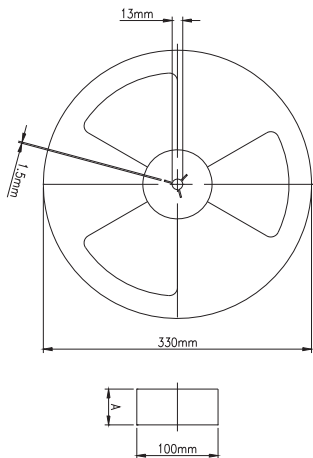
### FDSE001R



### FDSE002R



## TAPE & REEL



**Detect**

## X-ON Electronics

Largest Supplier of Electrical and Electronic Components

*Click to view similar products for [Detector Switches](#) category:*

*Click to view products by [C&K](#) manufacturer:*

Other Similar products are found below :

[E3S-LS5C4S](#) [SPVQ850300](#) [21075-6](#) [SPVQ860100](#) [K2CU-F20A-F AC220](#) [D3DM0005H](#) [D3DM0001E](#) [D3DM0003A](#) [HARB0012](#) [PP2-7H1-2D2](#) [PP1-FB7-2D2](#) [PP2-7U1-2B2](#) [PP1-ET7-2B2](#) [MR1000AWA](#) [MR1000BWA](#) [ESE-31R11T](#) [ESE-23F101](#) [ESE-13V01D](#) [ESE-13V01C](#) [ESE-13V01A](#) [ESE-13H01B](#) [ESE-11MH1T](#) [ESE-11MH2T](#) [ESE-11MV1](#) [ESE-31L11T](#) [HDS001R](#) [SPVL110102](#) [ESE-11MV1T](#) [ESE-13V01B](#) [ESE-23J101](#) [SPPW811200](#) [ESE-58R61B](#) [SPVQ361300](#) [ESE-58R11B](#) [SPVT210201](#) [SPVL120101](#) [ESE-24CMV9T](#) [DS080](#) [DS0900502RP](#) [T0-SCB22MP1NC1](#) [T0-SCB22MP1NSX](#) [ESE-13H01A](#) [ESE-13H01C](#) [ESE-13H01D](#) [ESE-18R63D](#) [ESE-24CMH6T](#) [SPVN210101](#) [SPPB110300](#) [SPPB120200](#) [SPPB1A0100](#)