

# HDT Series Micro Mini Surface Mount Detect Switches



## Features/Benefits

- Low profile package
- Design allows top or side actuation
- Low actuation force, 35 grams max.
- Pick and place compatible, available in tape & reel packaging
- RoHS compliant and compatible
- Halogen free

## Typical Applications

- Consumer electronics
- Computers
- Medical devices
- ATCA and MicroTCA devices

## Specifications

CONTACT RATING: 1 mA 5 VDC  
 MECHANICAL AND ELECTRICAL LIFE: 100,000 cycles min.  
 CONTACT RESISTANCE: 500 m Ω max. initial.  
 INSULATION RESISTANCE: 100 M Ω min. between adjacent contacts.  
 OPERATING TEMPERATURE: -40°C to + 85°C  
 STORAGE TEMPERATURE: -40°C to + 85°C  
 PACKAGING: Tape & reel

## Materials

BASE: PA 46 (UL94V-0)  
 COVER: PA 46 (UL94V-0)  
 ACTUATOR: PA 46 (UL94V-0)  
 MOVABLE BLADE: Stainless Steel, Ag over Ni plating.  
 TERMINALS: Phosphor Bronze, Ag plating.  
 SOLDERABILITY: Lead free compatible - No clean.

**NOTE:** Specifications and materials listed above are for switches with standard options. For information on specific and custom switches, consult Customer Service Center.

## Build-A-Switch

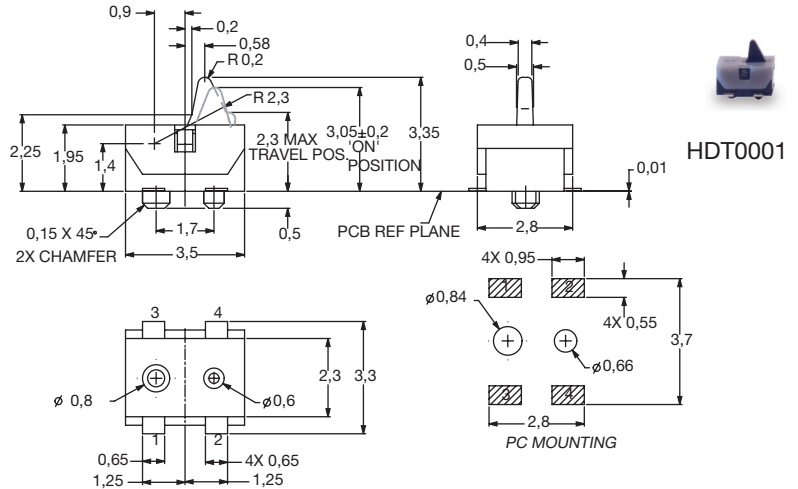
Complete part numbers for HDT Series are shown below.

PART NUMBER	PACKAGING	SCHEMATIC
<b>HDT0001</b>	TAPE & REEL 2,450 per reel	

**NOTE:** Available with no locating posts by adding "NP" (HDT0001NP) to Part Number.

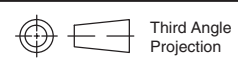
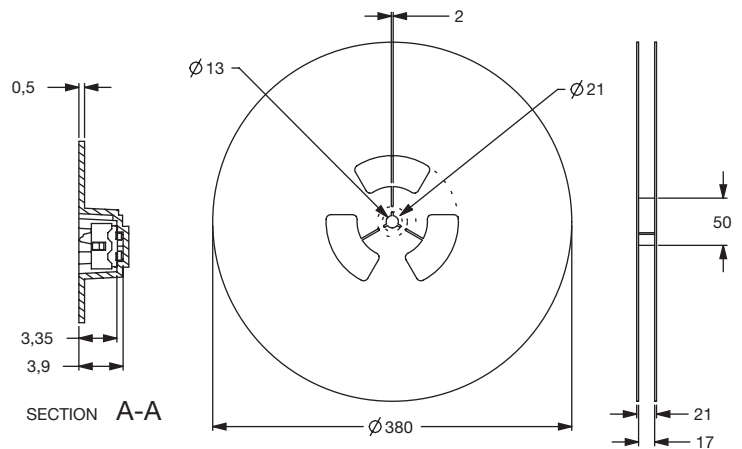
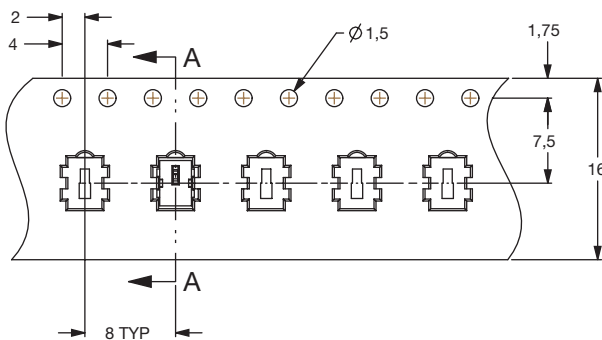
### TRAVEL:

Pre-travel: 0.3 mm  
 Overtravel: 0.75 mm  
 Total: 1.05 mm



## TAPE & REEL

### HDT0001



Third Angle Projection

Dimensions are shown: mm  
 Specifications and dimensions subject to change



# HDT Series Micro Mini Surface Mount Detect Switches

## HDT0004

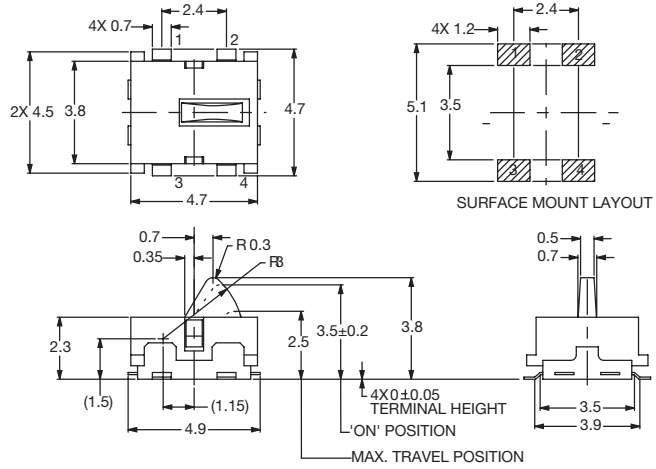


HDT0004

PART NUMBER	PACKAGING	SCHEMATIC
<b>HDT0004</b>	TAPE & REEL 2,800 per reel	

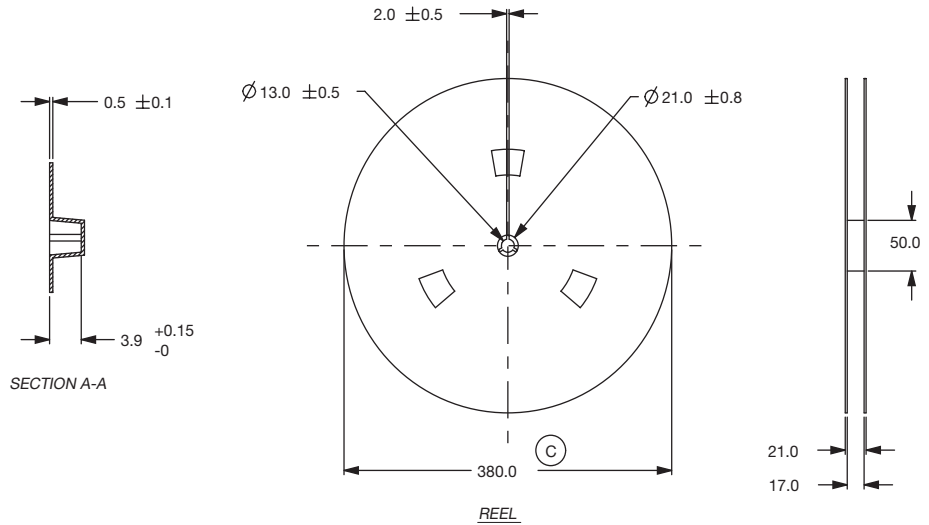
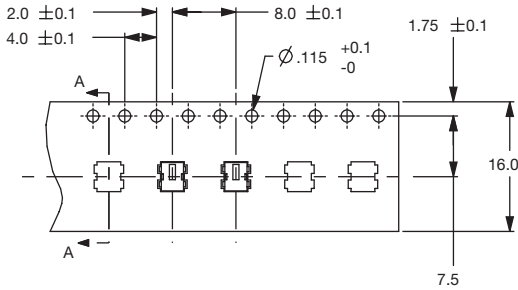
**TRAVEL:**

Pre-travel: 0.3 mm  
Overtravel: 1.0 mm  
Total: 1.3 mm



## TAPE & REEL

HDT0004



## HDT0104



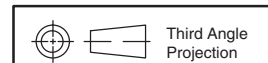
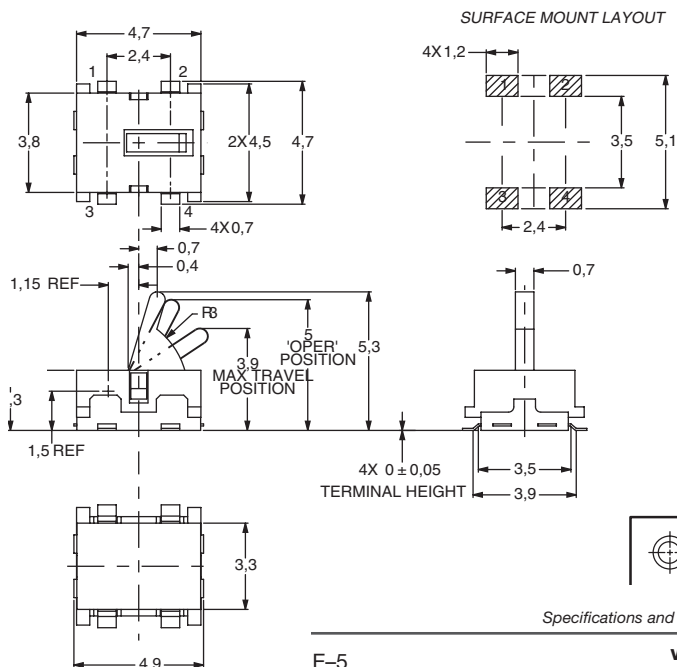
HDT0104

PART NUMBER	PACKAGING	SCHEMATIC
<b>HDT0104</b>	TAPE & REEL 2,500 per reel	

**NOTE:** This product comes without locating post

**TRAVEL:**

Pre-travel: 0.3 mm  
Overtravel: 1.1 mm  
Total: 1.4 mm



Dimensions are shown: mm  
Specifications and dimensions subject to change



29 Sep 21

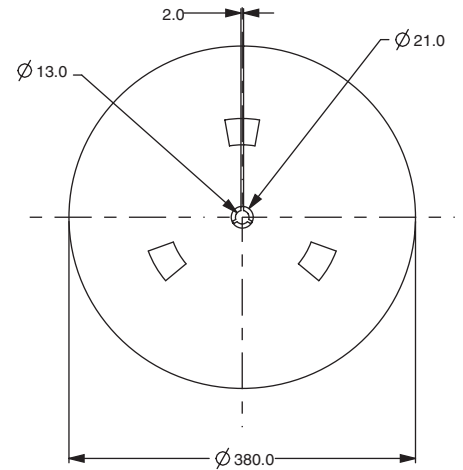
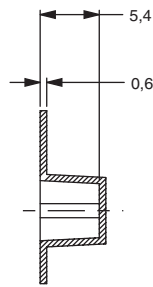


Detect

# HDT Series Micro Mini Surface Mount Detect Switches

## TAPE & REEL

### HDT0104



### HDT0204



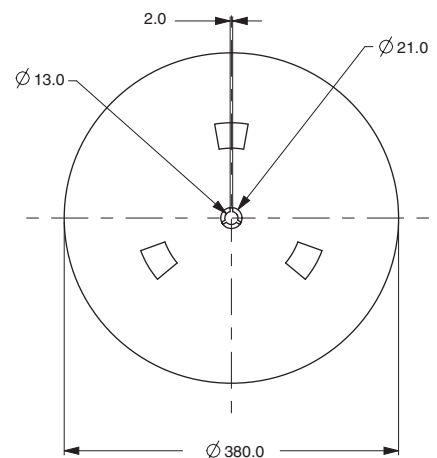
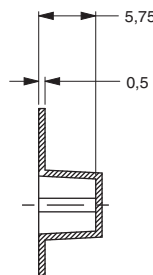
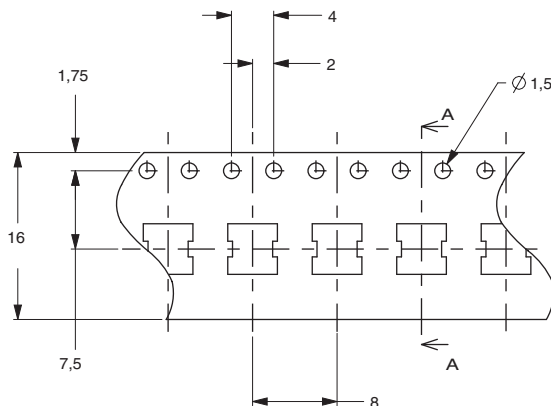
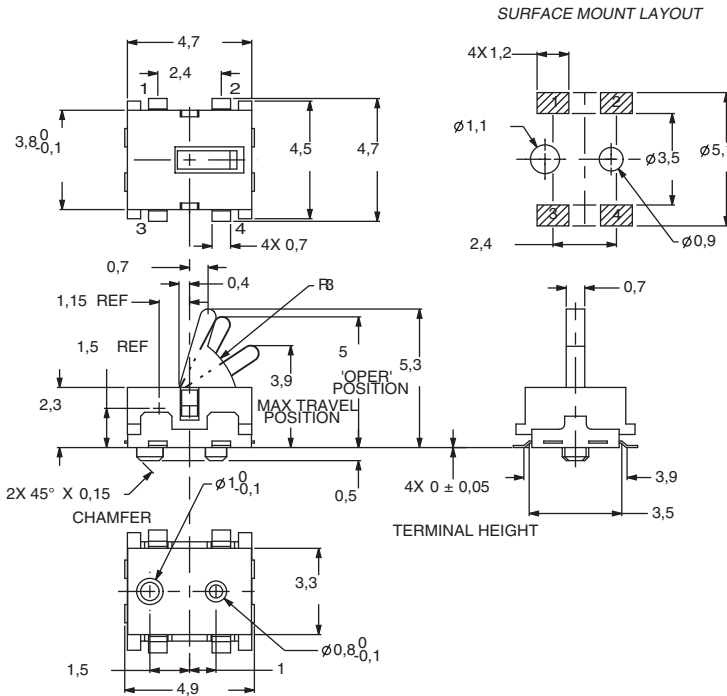
HDT0204

PART NUMBER	PACKAGING	SCHEMATIC
<b>HDT0204</b>	TAPE & REEL 1,400 per reel	

**NOTE:** This product comes with locating post

**TRAVEL:**

- Pre-travel: 0.3 mm
- Overtravel: 1.1 mm
- Total: 1.4 mm



Detect



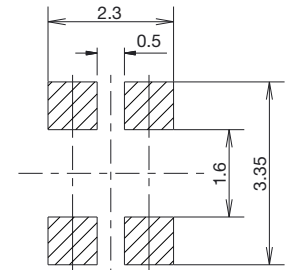
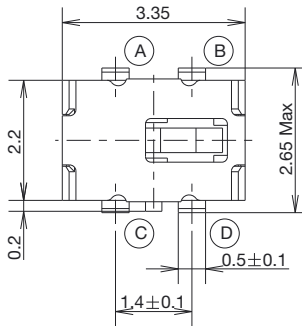
# HDT Series Micro Mini Surface Mount Detect Switches

## HDT0301



HDT0301

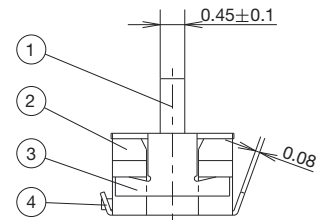
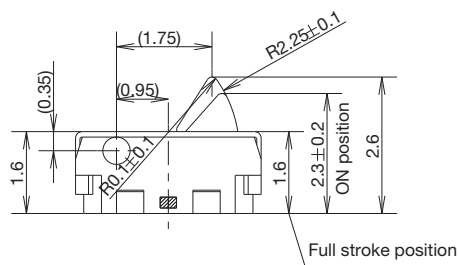
PART NUMBER	PACKAGING	SCHEMATIC
<b>HDT0301</b>	TAPE & REEL 3,000 per reel	



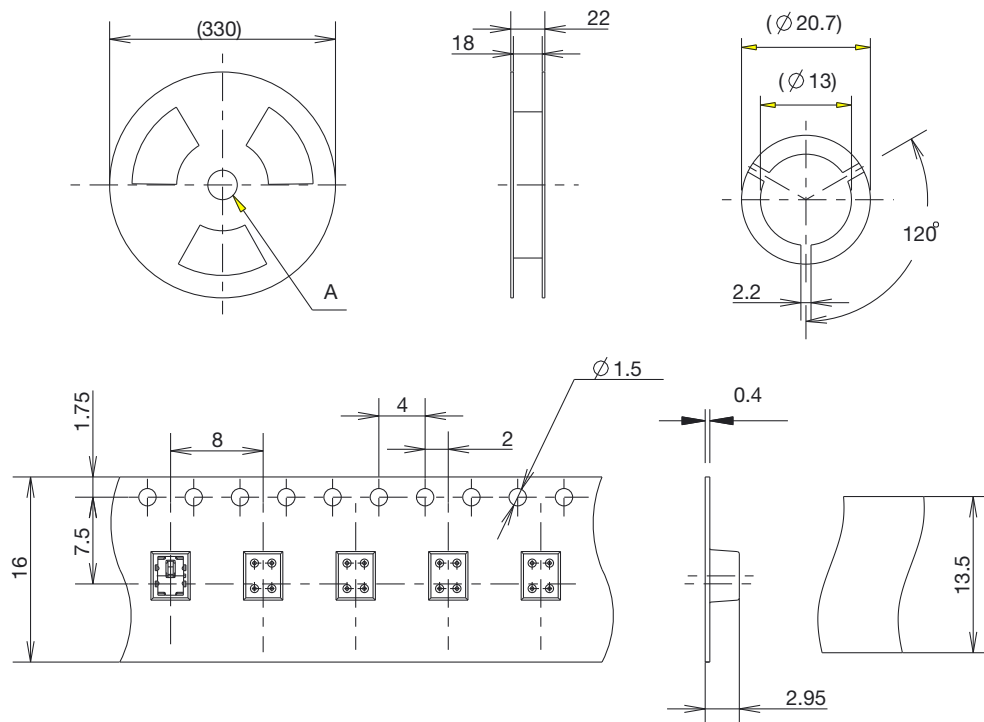
PCB LAND DIMENSION  $\pm 0.05$

### TRAVEL:

- Pre-travel: 0.3 mm
- Overtravel: 0.7 mm
- Total: 1.0 mm



## TAPE & REEL



→ Roll-direction



Detect

## X-ON Electronics

Largest Supplier of Electrical and Electronic Components

*Click to view similar products for [Detector Switches](#) category:*

*Click to view products by [C&K](#) manufacturer:*

Other Similar products are found below :

[E3S-LS5C4S](#) [SPVQ850300](#) [21075-6](#) [SPVQ860100](#) [K2CU-F20A-F AC220](#) [D3DM0005H](#) [D3DM0001E](#) [D3DM0003A](#) [HARB0012](#) [PP2-7H1-2D2](#) [PP1-FB7-2D2](#) [PP2-7U1-2B2](#) [PP1-ET7-2B2](#) [MR1000AWA](#) [MR1000BWA](#) [ESE-31R11T](#) [ESE-23F101](#) [ESE-13V01D](#) [ESE-13V01C](#) [ESE-13V01A](#) [ESE-13H01B](#) [ESE-11MH1T](#) [ESE-11MH2T](#) [ESE-11MV1](#) [ESE-31L11T](#) [HDS001R](#) [SPVL110102](#) [ESE-11MV1T](#) [ESE-13V01B](#) [ESE-23J101](#) [SPPW811200](#) [ESE-58R61B](#) [SPVQ361300](#) [ESE-58R11B](#) [SPVT210201](#) [SPVL120101](#) [ESE-24CMV9T](#) [DS080](#) [DS0900502RP](#) [T0-SCB22MP1NC1](#) [T0-SCB22MP1NSX](#) [ESE-13H01A](#) [ESE-13H01C](#) [ESE-13H01D](#) [ESE-18R63D](#) [ESE-24CMH6T](#) [SPVN210101](#) [SPPB110300](#) [SPPB120200](#) [SPPB1A0100](#)