

K5V Illuminated Tact Switch



Features

- Gold plated dome contact SPST/SPDT
- Excellent ergonomics
- High bright leds
- Reduced space usage on board
- 40 N overload
- Tape and reel
- RoHS compliant and compatible

Typical Applications

- When backlighting and switch are required to be a "2 in 1" component
- The dome contact secures a superior contact reliability in time
- The ergonomics of K5V provides a long travel, a sharp tactile feel and an audible click
- Server, storage, automotive, network infrastructure, medical

Specification

FUNCTION: momentary action
 CONTACT ARRANGEMENT: Normally Open + Normally Closed
 TERMINALS:
 THT: Through hole terminals with positioning pegs
 SMT: Surface mount terminals with positioning pegs
 PM: Panel mount solder terminals with wire hole

Mechanical

Version	Operating force FA ¹ Newtons (grams)	Operating life (operations)	Travel (total travel) mm(mm)
THT, SMT, PM	4.0 (400)	25,000	1.2 (2.4)

¹ Tolerances of operating force FA is ± 25%.

Packaging

THT: 60 pieces per tray; 1800 pieces per box
 SMT: 330 pieces per reel (reel ø 360mm); 1320 pieces per box
 PM: 60 pieces per tray; 2100 pieces per box

Electrical

POWER MIN/MAX: 0.02VA / 1.0VA
 VOLTAGE MIN/MAX: 20mVdc – 32 Vdc
 CURRENT MIN/MAX: 0.1mA – 100mA
 CONTACT RESISTANCE: <150m Ω
 INSULATION RESISTANCE: >1G Ω initial, >10M Ω after damp heat
 BOUNCE TIME: <5ms

Environmental

OPERATING TEMPERATURE: -40°C to 85°C
 STORAGE TEMPERATURE: -50°C to 85°C
 RELATIVE HUMIDITY: 90 to 96% according to NF EN 60068-2-30
 PROTECTION: dust protection and flux tight
 OVERLOAD: 40N min

Process

SMT	Soldering: Compatible with the lead free soldering profile No washing
THT	Soldering: Compatible with the lead free soldering profile No washing
PM	Soldering: Low wattage soldering iron (25-50 watts max). Solder time 3 seconds max. No washing

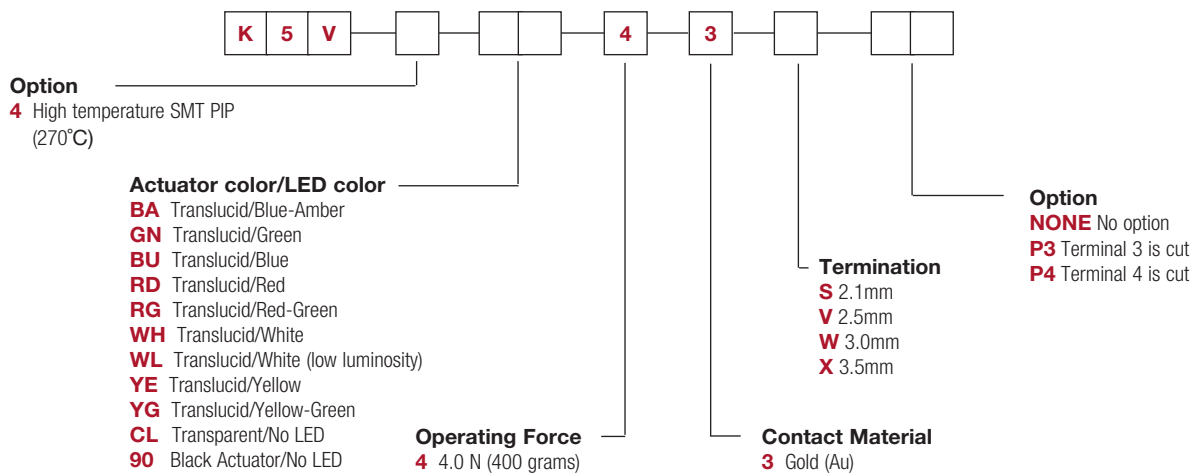
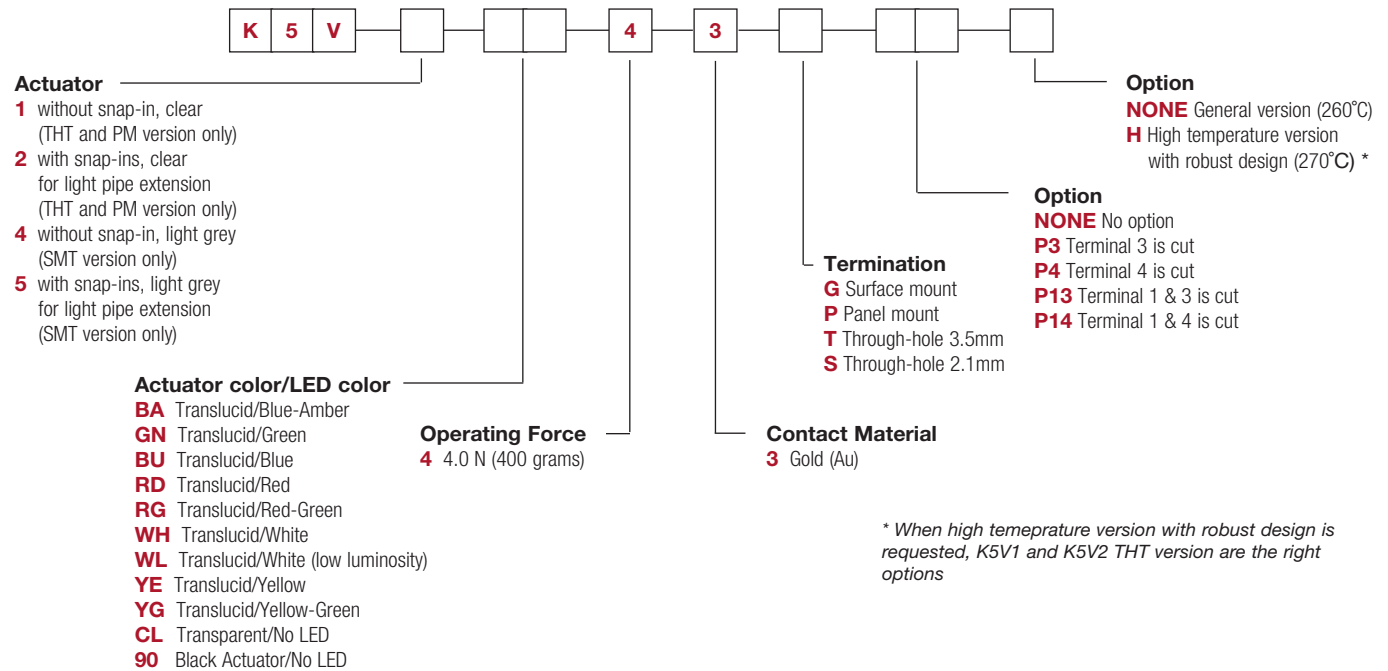
Materials

LEAD FREE
 CONTACTS: Au over Ni
 SOLDERING: Au over Ni
 HOUSING: Thermoplastic UL94 V0

K5V Illuminated Tact Switch

How To Order

Our easy build-a-switch concept allows you to mix and match options to create the switch you need. To order, select desired option from each category and place it in the appropriate box.

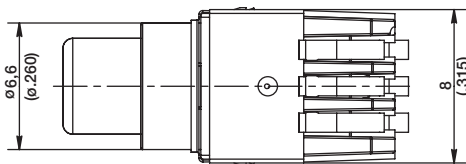
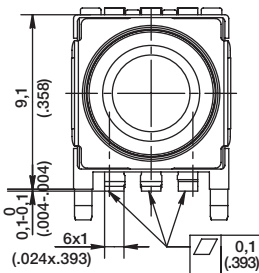
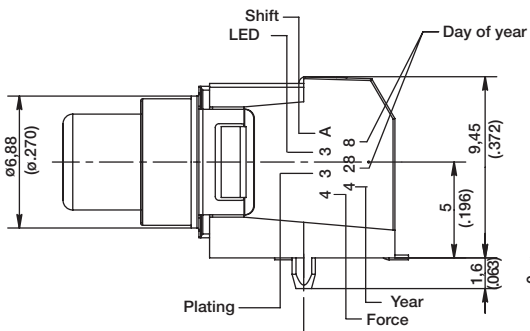
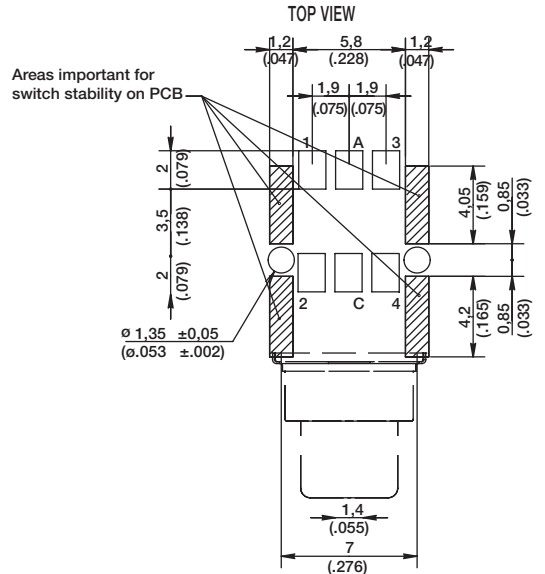
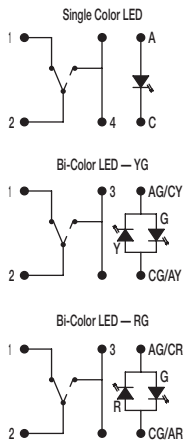
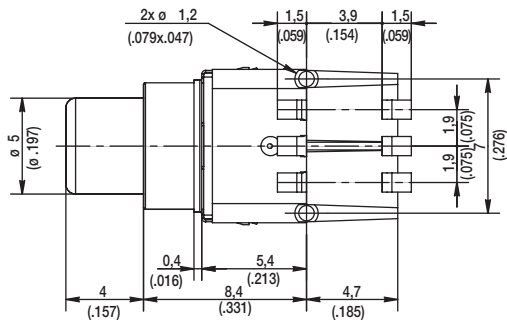


K5V Illuminated Tact Switch

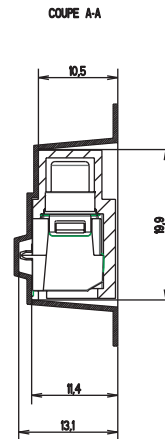
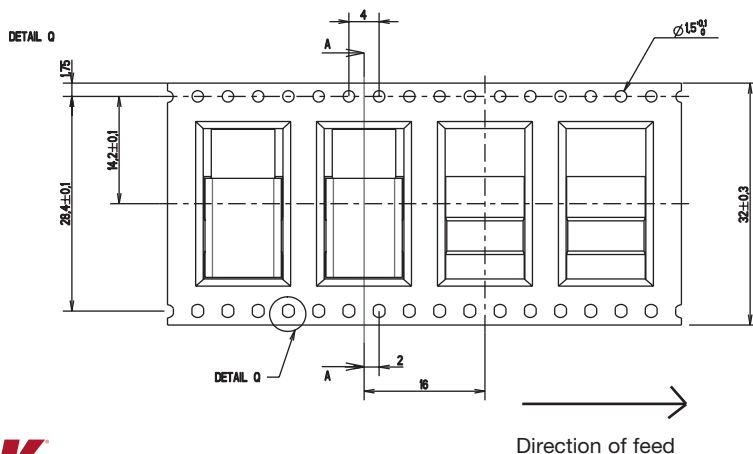
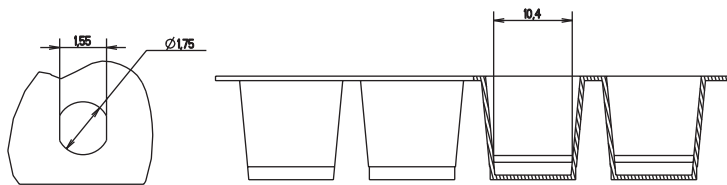
K5V SMT

ELECTRICAL DIAGRAM

RECOMMENDED PCB LAYOUT (WITH HOLES)



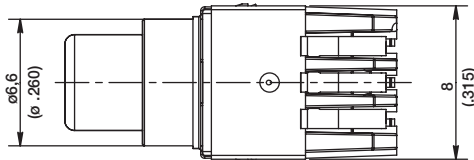
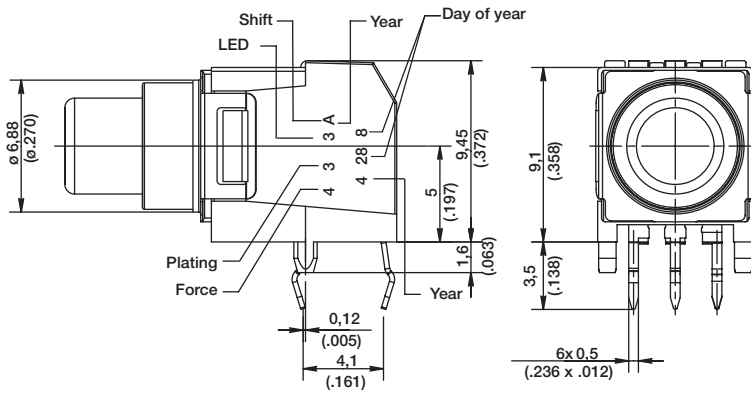
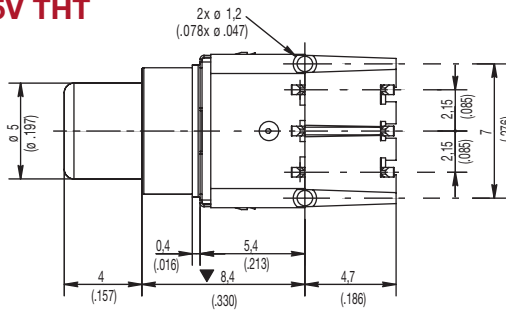
TAPE & REEL



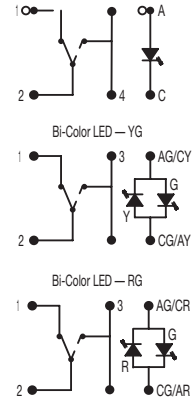
Dimensions are shown: mm
Specifications and dimensions subject to change

K5V Illuminated Tact Switch

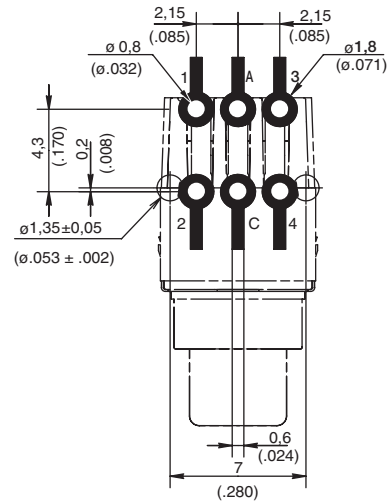
K5V THT



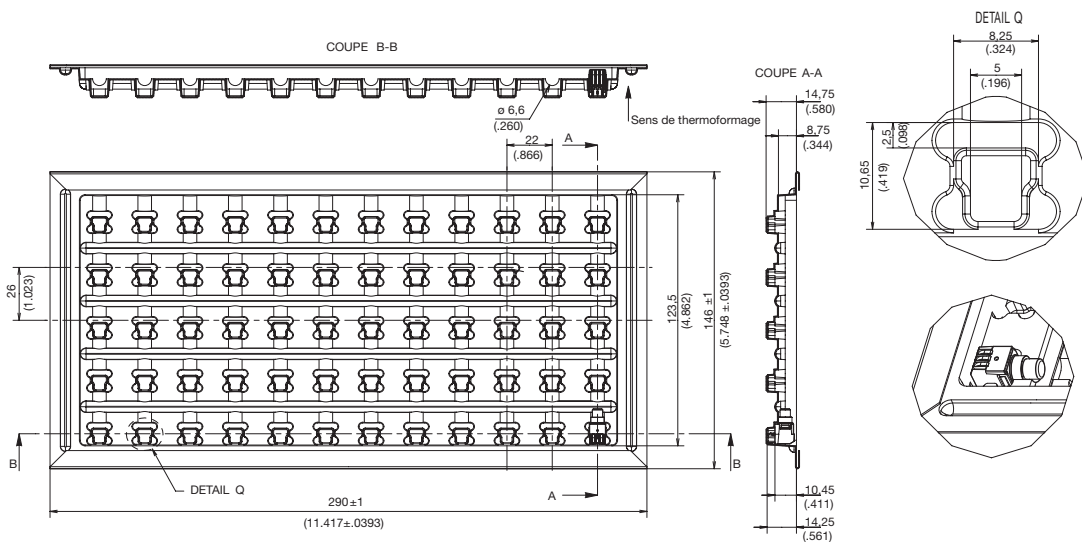
ELECTRICAL DIAGRAM



RECOMMENDED PCB LAYOUT (WITH HOLES) TOP VIEW



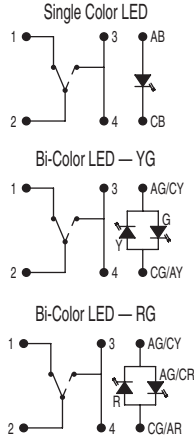
TRAY



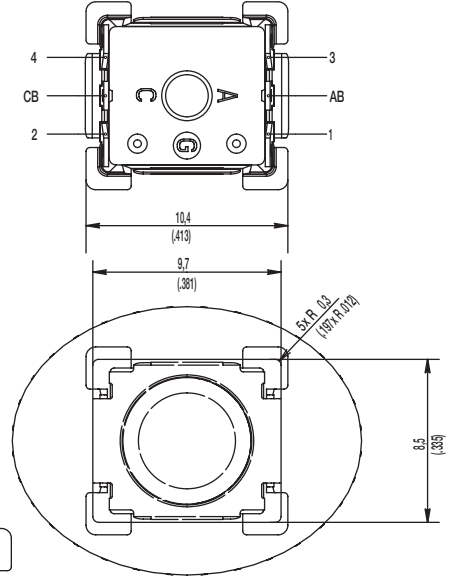
K5V Illuminated Tact Switch

K5V PM

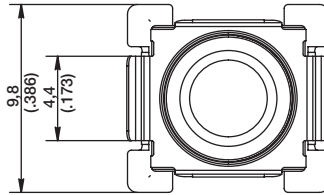
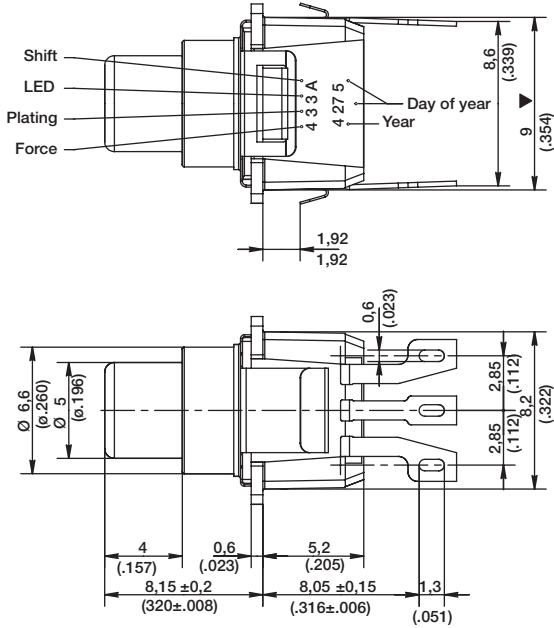
ELECTRICAL DIAGRAM



TERMINAL REFERENCES

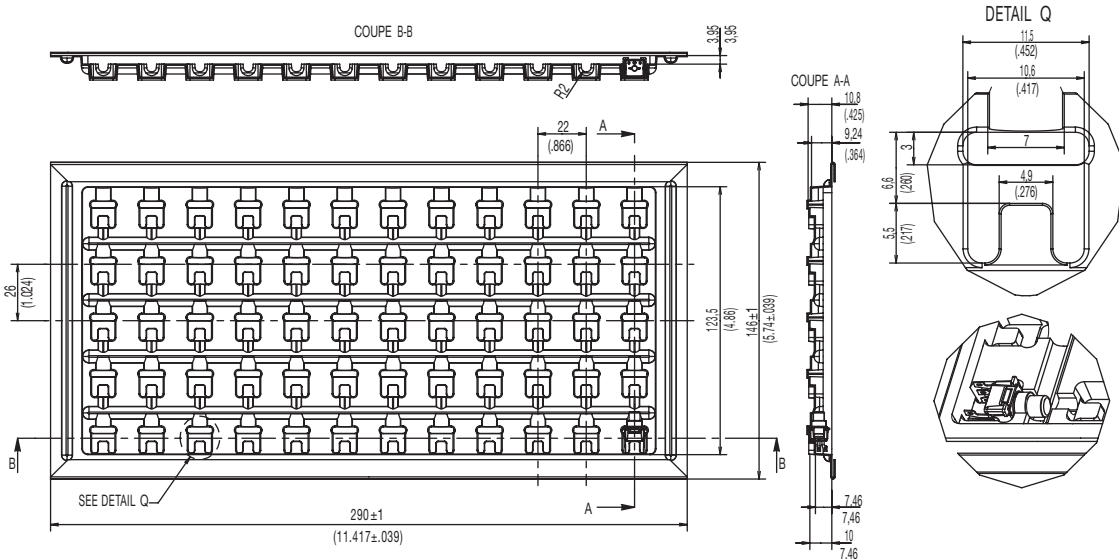


PRODUCT IDENTIFICATION AND DATE CODES



TRAY

SUITABLE FOR PANEL THICKNESS OF 1.8MM MAX



26 Aug 20

X-ON Electronics

Largest Supplier of Electrical and Electronic Components

Click to view similar products for [Tactile Switches](#) category:

Click to view products by [C&K](#) manufacturer:

Other Similar products are found below :

[KMR633NG](#) [LFG](#) [5GTH9202242](#) [6426-201-11343](#) [MJ1226](#) [MJTP1230BL](#) [MJTPSHW](#) [1-1977223-0](#) [1-1977120-4](#) [ADTSA62NV](#)
[ADTSA62RV](#) [ADTSA63KV](#) [ADTSA644NV](#) [ADTSM24NVTR](#) [ADTSMW66NV](#) [ADTSMW67RV](#) [ATM533VTR](#) [B3F-3123](#) [B3F-6055A](#)
[B3F-B32-01-KIT](#) [1977177-8](#) [1977266-1](#) [2-1977223-4](#) [2-1977223-7](#) [ADTS644KV](#) [ADTSA61RV](#) [ADTSA62KV](#) [ADTSA63NV](#)
[ADTSA63RV](#) [ADTSA65NV](#) [ADTSM21NSVTR](#) [ADTSM25RVTR](#) [ADTSM32NVTR](#) [ADTSM61YVTR](#) [ADTSM63SVTR](#)
[ADTSM644KVTR](#) [ADTSMW64RV](#) [ADTSMW69NV](#) [FSMRA4JHA04](#) [D38999/20JJ37SA](#) [TL1105B](#) [TL1105J](#) [ATM534VTR](#) [MJ1221](#)
[MJ1227](#) [506E00201](#) [MJTP1109A](#) [MJTPSHWA](#) [MJTPSJW69N](#) [3FTL600RAS](#) [3FTL640RAS](#)