

## Features/Benefits

- Excellent tactile feel
- Wide variety of LED's, travel and actuation forces
- Designed for low-level switching
- Detector version available
- RoHS compliant

## Typical Applications

- Automotive
- Industrial electronics
- Computers and network equipment



## Construction

FUNCTION: momentary action  
 CONTACT ARRANGEMENT: 1 make contact = SPST, N.O.  
 DISTANCE BETWEEN BUTTON CENTERS:  
 min. 7,5 and 11,8 (0.295 and 0.465)  
 TERMINALS: Snap-in pins, tinned  
 MOUNTING: Soldered by PC pins, locating pins  
 PC board thickness: 1,5 (0.0591)

## Mechanical

TOTAL TRAVEL/SWITCHING TRAVEL: 1,5/0,9 (0.059/0.035)  
 PROTECTION CLASS: IP 40 according to DIN/IEC 529

- 1) Voltage rise: 300 V/s  
 2) According to DIN 41640; IEC 512-2  
 3) Higher values upon request

## Packaging

THT: bulk in boxes of 500 pieces  
 SMT: bulk in boxes of 500 pieces  
 reels of 500 pieces (with LED) or 750 pieces (without LED)

## Electrical

SWITCHING POWER MIN./MAX.: 0.02 mW / 3 W DC  
 SWITCHING VOLTAGE MIN./MAX.: 2 V DC / 30 V DC  
 SWITCHING CURRENT MIN./MAX.: 10 mA / 100 mA DC  
 DIELECTRIC STRENGTH (50 Hz)<sup>1) 2)</sup>: ≥ 300 V  
 OPERATING LIFE: ≥ 2 x 10<sup>5</sup> operations<sup>3)</sup>  
 ≥ 1 X 10<sup>5</sup> operations for SMT version  
 CONTACT RESISTANCE: Initial ≤ 50 mΩ  
 INSULATION RESISTANCE: ≥ 10<sup>10</sup> Ω  
 BOUNCE TIME: ≤ 1 ms  
 Operating speed 100 mm/s (3.94/s)

## Environmental

OPERATING TEMPERATURE: -40°C to 85°C.  
 STORAGE TEMPERATURE: -40°C to 95°C.

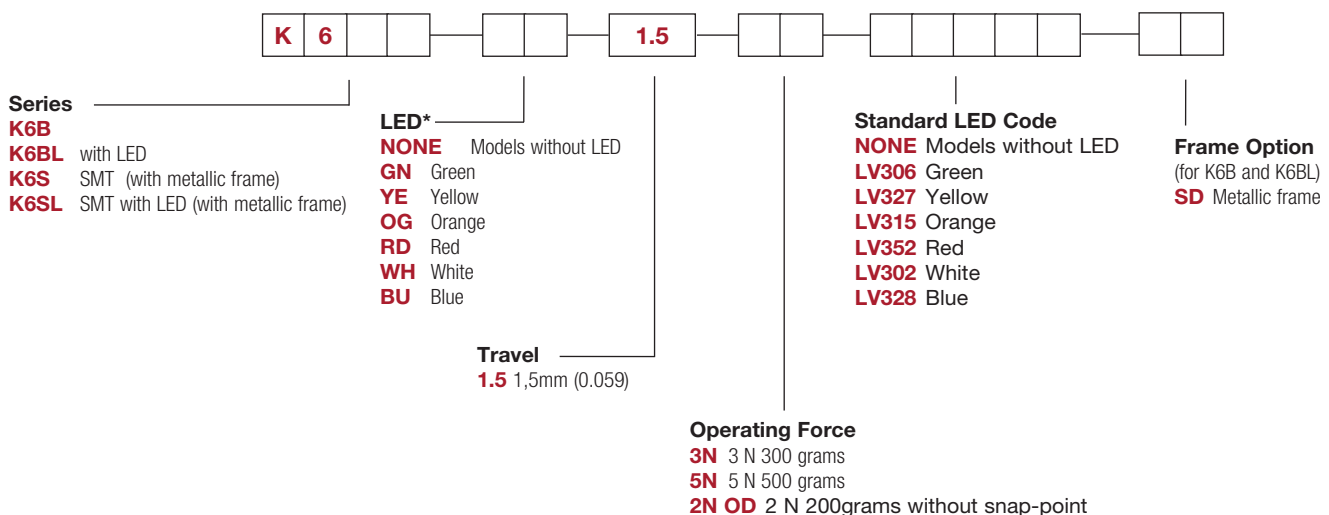
## Process

SOLDERABILITY:  
 THT: wave soldering, compatible with lead free soldering profile  
 Hand soldering, 350°C for 3s  
 SMT: not compatible with lead free reflow profile  
 245°C for 5s

## How To Order

Our easy build-a-switch concept allows you to mix and match options to create the switch you need. To order, select desired option from each category and place it in the appropriate box.

Note: Some of the configurations may not be available or could require some development.



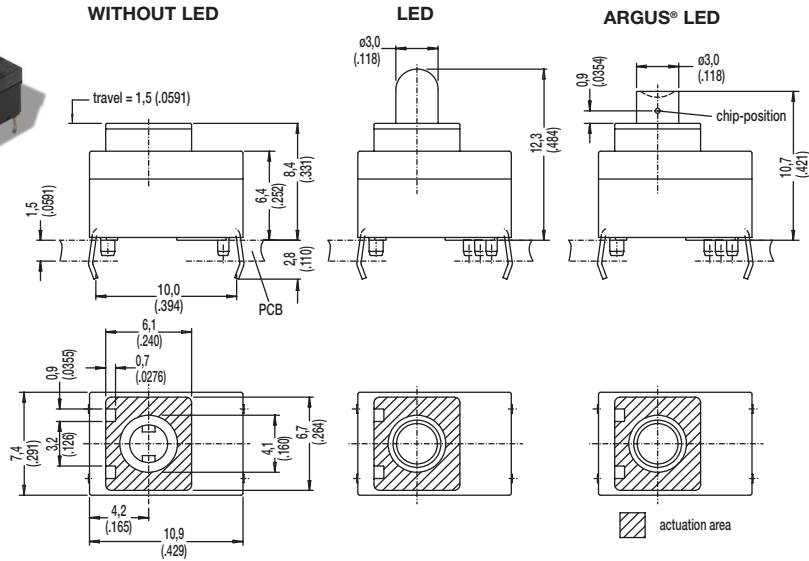
\* Additional LED colors available by request.

# K6 Miniature Key Switches

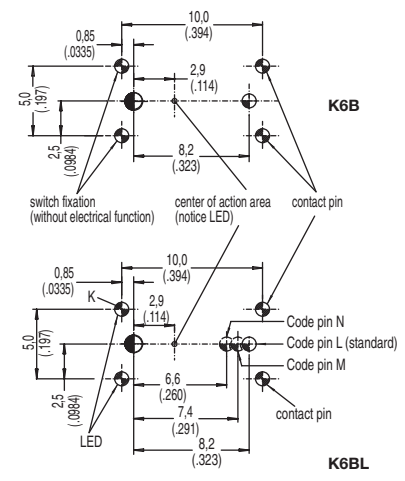
SERIES

**K6B** WITHOUT LED

**K6BL** WITH LED



### PCB LAYOUT, MOUNTING SIDE

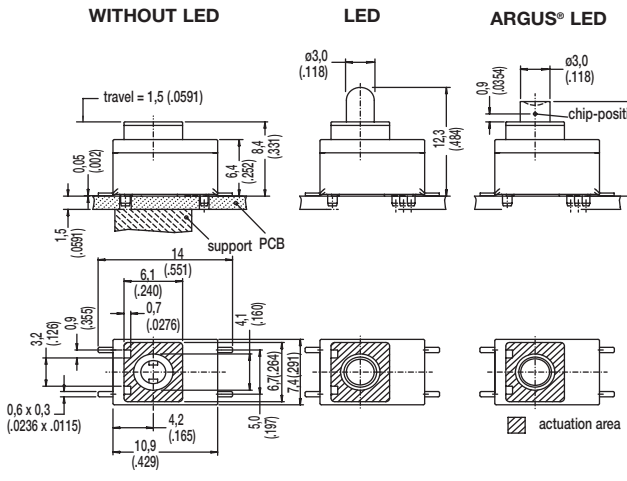


SCHEMATIC	
K6B	K6BL

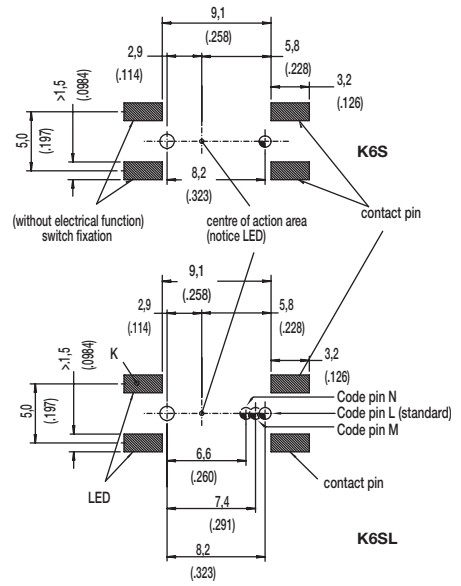
Hole	Ø	Without LED	With LED	Description	Terminal Section	Surface
	1,2+0,1 (.0471+.00349)	1x	1x	center hole		
	0,9+0,1 (.0354+.00349)	1x	1x	code (L,M,N)		
	1,0+0,1 (.0354+.00349)	4x	2x	LED switch	0,6 x 0,3 (.0236 x .0118)	SnPb

**K6S** WITHOUT LED

**K6SL** WITH LED



### PCB LAYOUT, MOUNTING SIDE



SCHEMATIC	
K6S	K6SL

Hole	Ø	Without LED	With LED	Description
	1,2+0,1 (.0471+.00349)	1x	1x	center hole
	0,9+0,1 (.0354+.00349)	1x	1x	code (L,M,N)



First Angle Projection

Dimensions are shown: mm  
Specifications and dimensions subject to change

[www.ckswitches.com](http://www.ckswitches.com)

Key Switches



# K6 Miniature Key Switches

## LED

OPTION CODE	COLOR
<b>NONE</b>	Models without LED
<b>GN</b>	Green
<b>YE</b>	Yellow
<b>OG</b>	Orange
<b>RD</b>	Red
<b>WH</b>	White
<b>BU</b>	Blue

STANDARD LED CODE	COLOR
<b>NONE</b>	Models without LED
<b>LV306</b>	Green
<b>LV327</b>	Yellow
<b>LV315</b>	Orange
<b>LV352</b>	Red
<b>LV302</b>	White
<b>LV328</b>	Blue

Additional LED colors available by request

## TRAVEL

**1.5** 1.5 MM

## OPERATING FORCE

OPTION CODE	OPERATING FORCE
<b>3N</b>	3 N, 300 g
<b>5N</b>	5 N, 500 g
<b>2N OD</b>	2 N, 200g without snap-point

## FRAME OPTION

**SD** METALLIC FRAME (OPTION FOR K6B AND K6BL)

NOTE: K6S and K6SL are equipped with metallic frame (SD not specified)



D

Key Switches



First Angle  
Projection

Dimensions are shown: mm  
Specifications and dimensions subject to change

## X-ON Electronics

Largest Supplier of Electrical and Electronic Components

*Click to view similar products for [Pushbutton Switches](#) category:*

*Click to view products by [C&K](#) manufacturer:*

Other Similar products are found below :

[LW1L-M1C10V-A](#) [LW2L-A1C20M-GD](#) [LW2L-M1C20M-A](#) [60324L](#) [M7E-HRN2](#) [67021K512](#) [67081K512X](#) [701PB580](#) [719-5504-000](#)  
[MDPSSGLFS](#) [810KSV30B](#) [FLT 2U EE 01A](#) [MML21KA3ABK](#) [MML23KA3AC05K-001](#) [MML23KW3AA01W](#) [8418K2](#) [8646AB6X718UL](#)  
[8646ABUL](#) [FSDWH](#) [9001KXRK](#) [9001T8BK](#) [9533CD4+U574+U4922](#) [1203MRA](#) [A22EM01S](#) [A595](#) [1202A6](#) [12037A2ULCSA](#) [1203A2UL](#)  
[ABD122N-B](#) [1211390004](#) [ABN111-Y](#) [ABN400-R](#) [1211500044](#) [1211580012](#) [1212MRA](#) [1232A6NF](#) [RA3CSH6A](#) [1241.1183.7047](#)  
[1241.2511](#) [1241.3428](#) [1223A2ULCSA](#) [1223MRA](#) [1232AX2119](#) [1241.1183.8000](#) [1241.1183.8029](#) [1241.2506](#) [1241.2606](#) [12MA6](#)  
[1301940184](#) [RELBARF6X10\(PLASTIC\)](#)