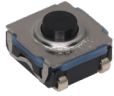


NEW

KSC11 Series Sealed Tact Switch for SMT



Features/Benefits

- **Hard actuator**
- **Long life**
- **Positive tactile feeling**
- **IP67 sealed**
- **SMT**

Typical Applications

- **Gaming/ Drones**
- **Industrial**
- **Medical**
- **High-end consumer**
- **Avionics**

Specification

FUNCTION: Normally open
 CONTACT TYPE: SPST NO
 TERMINALS: J bend for SMT
 CONTACT MATERIAL: Silver plated

Environmental

OPERATING TEMPERATURE: -40°C to 85°C

Mechanical

Type	Force (N)	Life	Travel (mm)
KSC1101J LFS	1.60 ±0.4	3,000,000	0.20 ±0.1
KSC1131J LFS	3.20 ±0.6	2,000,000	0.25 ±0.15
KSC1151J LFS	5.00 ±1.0	1,000,000	0.40 ±0.15

Electrical

MAXIMUM POWER: 1 VA
 MIN. / MAX. VOLTAGE: 0.02V / 32V
 MIN. / MAX. CURRENT: 1 mA / 50 mA
 DIELECTRIC STRENGTH: 250 Vrms
 CONTACT RESISTANCE: ≤ 100 mΩ
 INSULATION RESISTANCE: (100V): 1000 MΩ
 BOUNCE TIME: ≤ 5 ms

Soldering

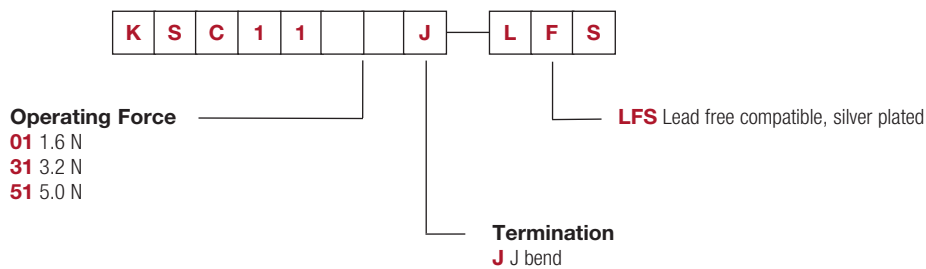
This component is suited to the following methods:
 – Cleaning according to typical washing processes
 – Lead free reflow soldering process in accordance with IEC 61760-1

Packaging

In reels of 1,700 pieces
 Width of carrier tape: 16 mm
 Dimensions of reels: 380 mm

How To Order

Our easy build-a-switch concept allows you to mix and match options to create the switch you need. To order, select desired option from each category and place it in the appropriate box.
 For any part number different from those listed above, please consult your local representative.

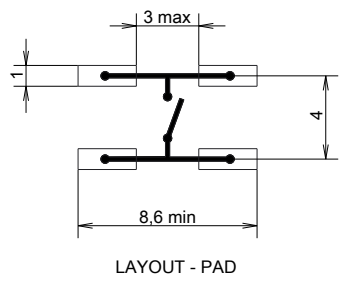
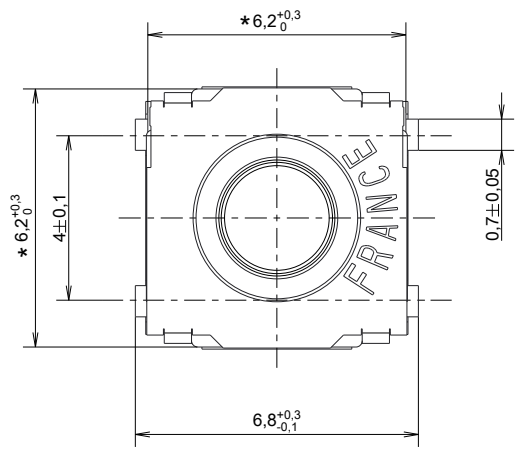
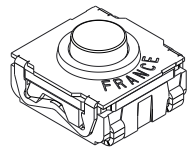
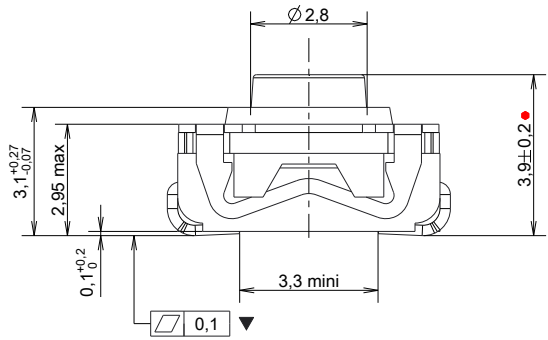


KSC11 Series Sealed Tact Switch for SMT

NEW

Tactile Switches

B



X-ON Electronics

Largest Supplier of Electrical and Electronic Components

Click to view similar products for [Tactile Switches](#) category:

Click to view products by [C&K](#) manufacturer:

Other Similar products are found below :

[6407-250V-25273P](#) [ADTSA62NV](#) [B3F-3123](#) [1977177-8](#) [1977266-1](#) [ADTSA63NV](#) [ADTSM21NSVTR](#) [ADTSM25RVTR](#) [ADTSM32NVTR](#)
[ADTSMW64RV](#) [1977120-6](#) [FSMRA4JHA04](#) [GS4.70F300QP](#) [KSC241J SP DELTA LFS](#) [3FTL600RAS](#) [3FTL640RAS](#) [Y96K132V0FPLFS](#)
[09158](#) [6407-250V-25343P](#) [ADTSM31NVTR](#) [2-1977120-7](#) [TSJW-5.2-260-TR](#) [TME1-01-Z](#) [Y651050400P](#) [KMT011MNGJLHS](#)
[ADTSG648NV](#) [ADTSM62KSVTR](#) [MJTP1138DTR](#) [ADTSM648NV](#) [95C06E3RAT](#) [3ATH9Q](#) [FSMRA8JHA04](#) [HARS0073](#)
[Y33R411N9FPLFT](#) [Y33R51139FPLFT](#) [Y31C01402FPLFS](#) [PTS645SK50SMTR92](#) [ADTSM32NVB](#) [KMS233GPWTFLG](#) [Y78B64124FP](#)
[Y33A812C5FP LFT](#) [Y56B2D120FP LFS](#) [PTS645 DVM83-BN125-2 LFS](#) [B3W 1000G](#) [B3F 1002C](#) [B3F 0047H](#) [B3W 1002C](#) [B3F 5001G](#)
[B3W 1100C](#) [1-1571563-4](#)