

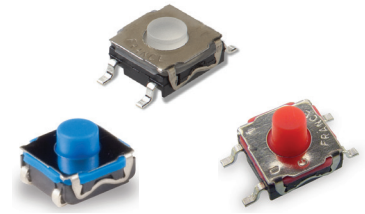
KSC Series Sealed Tact Switch for SMT

Features/Benefits

- Positive tactile feeling
- J or G terminations
- Various heights
- IP67

Typical Applications

- Automotive
- Medical instruments
- Industrial electronics
- Network infrastructure and IT
- Elevator



Tactile Switches

B

Specification

FUNCTION: Momentary action
 CONTACT ARRANGEMENT: 1 make contact = SPST, N.O.
 TERMINALS: J bend & Gullwing type for SMT
 SEALING: IP67 except KSC5 (IP50)

Liability Limitation

This datasheet does not provide enough information for applications that require a certain level of quality or safety such as automotive, medical systems, or safety equipment. Please contact customer service for the contractual specification package.

Electrical

| | Silver | Gold |
|------------------|--------|--------|
| MAXIMUM POWER: | 1 VA | 0.2 VA |
| MAXIMUM VOLTAGE: | 32 VDC | 32 VDC |
| MINIMUM VOLTAGE: | 20 mV | 20 mV |
| MAXIMUM CURRENT: | 50 mA | 10 mA |
| MINIMUM CURRENT: | 1 mA* | 0.1 mA |

DIELECTRIC STRENGTH (50 Hz, 1 min.): ≥ 250 Vrms
 CONTACT RESISTANCE: ≤ 100 m Ω
 INSULATION RESISTANCE (100 V): ≥ 10 M Ω
 BOUNCE TIME: ≤ 1 ms

* Ultra low current with 10 μ A - 1 VDC version are available upon request for KSC2 and KSC4

Environmental

| | Silver | Gold |
|------------------------|---------------|----------------|
| OPERATING TEMPERATURE: | -40°C to 85°C | -40°C to 125°C |
| STORAGE TEMPERATURE: | -55°C to 85°C | -55°C to 125°C |

Packaging

Tape and Reel (see series for quantity information)

NOTE: Specifications listed above are for switches with standard options.

Process

SOLDERING: Depending on the application, this component is suited to the following methods:

- Terminals being silver or gold plated over a nickel barrier, the use of slightly activated flux is suitable.
- Soldering on double wave machine for vertical versions: soldering time ≤ 5 sec.
- Cleaning according to typical washing processes.
- Lead free reflow soldering process in accordance with IEC 61760-1.

KSC Product Range

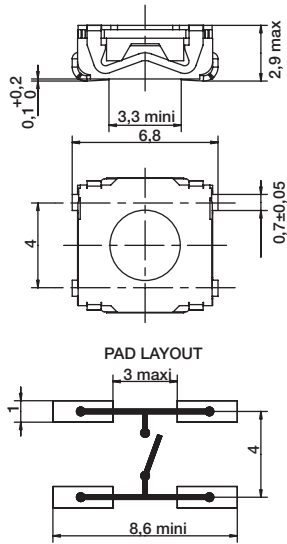
| KSC1 | KSC2 | KSC3 | KSC4 | KSC5 | KSC6 | KSC7 | KSC8 | KSC9 | KSC10 |
|------------------|---------------|---------------|---------------|---------------|---------------|---------------|---------------|-----------------------------------|---------------|
| Without actuator | Soft actuator | Hard actuator | Soft actuator | Hard actuator | Hard actuator | Soft actuator | Hard actuator | Hard actuator | Soft actuator |
| H = 2.5 mm | H = 3.5 mm | H = 3.5 mm | H = 5.2 mm | H = 5.6 mm | H = 7.7 mm | H = 4.3 mm | H = 4.9 mm | H = 7.7 mm compatible with button | H = 4.9 mm |
| IP67 | IP67 | IP67 | IP67 | IP50 | IP67 | IP67 | IP67 | IP67 | IP67 |



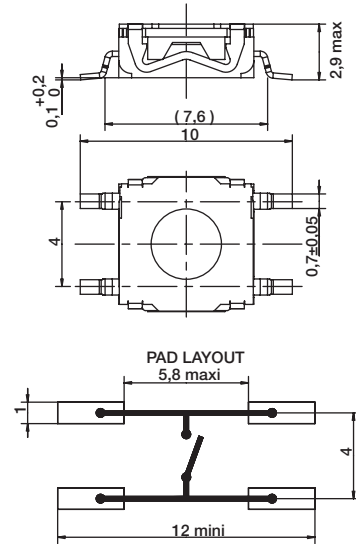
Note: KSC Series is subject to variants. Please contact customer service for other options.

KSC Series Sealed Tact Switch for SMT

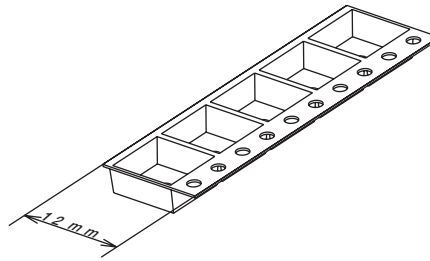
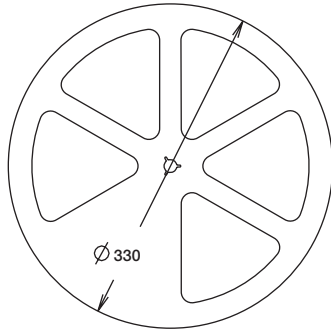
J BEND



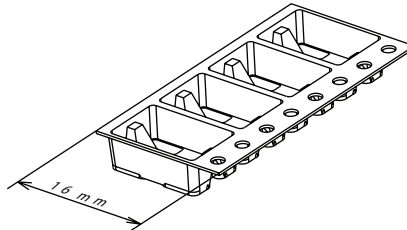
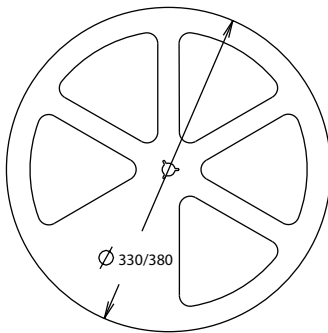
G GULLWING



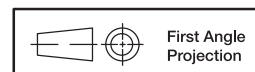
12 MM



16 MM



| 12 mm | Pieces | 16 mm | Pieces | Reel Diameter |
|-------|--------|------------|--------|---------------|
| KSC1J | 2,000 | KSC1G | 2,000 | 330 mm |
| KSC2J | 2,000 | KSC2G | 2,000 | 330 mm |
| KSC3J | 2,000 | KSC3G | 2,000 | 330 mm |
| | | KSC4J & G | 1,000 | 330 mm |
| | | KSC5J & G | 1,000 | 330 mm |
| | | KSC6J & G | 950 | 380 mm |
| | | KSC7J & G | 1,000 | 330 mm |
| | | KSC8J & G | 1,000 | 330 mm |
| | | KSC9J & G | 950 | 380 mm |
| | | KSC10J & G | 1,000 | 330 mm |



First Angle
Projection

Dimensions are shown: mm
Specifications and dimensions subject to change

KSC XA Series Soft Sound Tact Switch

Features/Benefits

- New soft sound
- Extended cage
- IP67
- Long life
- J terminations
- Tape & reel

Typical Applications

- Automotive interior & openings (gear shift paddle, steering wheel, window lifter, seat adjustment modules, trunk & door handle modules)
- Medical & industrial electronics (front panel, instrumentation)



| Type | Force (N) | Life (cycles) | Travel (mm) |
|----------------|-------------|---------------|-------------|
| KSC XA 35J LFS | 3.5 +/-1 | 1,000,000 | 0.7+/-0.2 |
| KSC XA 40J LFS | 4.0 +/-1 | 1,000,000 | 0.7+/-0.2 |
| KSC XA 55J LFS | 5.5 +/-1.1 | 1,000,000 | 0.7+/-0.2 |
| KSC XA 68J LFS | 6.8 +/- 1.4 | 500,000 | 0.7+/-0.2 |
| KSC XA 96J LFS | 9.6 +/- 2.4 | 150,000 | 0.7+/-0.2 |

POWER: 0.002 VA min. / 1VA Max.

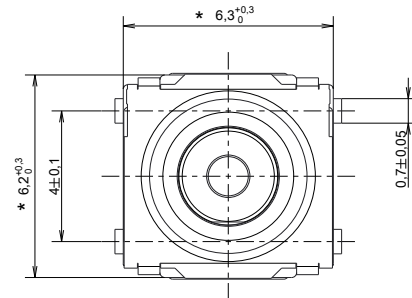
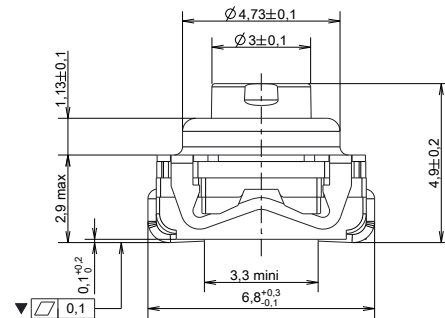
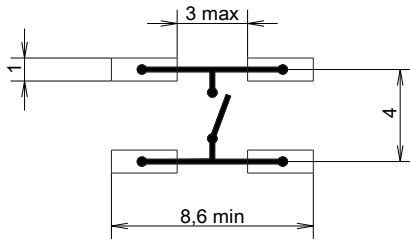
VOLTAGE: 2V min. / 24V Max.

CURRENT: 1mA min. / 42mA Max.

OPERATING TEMPERATURE: -40°C / +95°C

CONTACT RESISTANCE: 0.1 ohm

PCB LAYOUT



Packaging

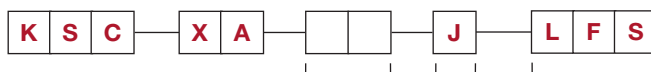
In reels of 1,400 pieces.

Dimensions of reels according to EIA RS481 or IEC 2863. External diameter 380 mm ± 2 mm.

How To Order

Our easy build-a-switch concept allows you to mix and match options to create the switch you need. To order, select desired option from each category and place it in the appropriate box.

For any part number different from those listed above, please consult your local representative.



Operating Force

- 35 3.5 N
- 40 4.0 N
- 55 5.5 N
- 68 6.8 N
- 96 9.6 N

Termination

J J bend

LFS Lead free compatible, silver plated



First Angle
Projection

Dimensions are shown: mm
Specifications and dimensions subject to change



KSC SLT Series Long Travel Tact Switch

Features/Benefits

- Long travel
- Soft sound
- IP40
- J & G terminations
- Tape & reel

Typical Applications

- Automotive interior
- Front panel
- Instrumentation



Tactile Switches

B

Specification

FUNCTION: Momentary
CONTACT ARRANGEMENT: 1 make contact = SPST, N.O.
TERMINALS: J bend & Gullwing type for SMT

Mechanical

MAXIMUM APPLIED FORCE: 40N
* VALID ONE TIME. MAXIMUM ALLOWED TRAVEL TO AVOID OVERLOAD ISSUES IS 1.70MM.

| Type | Force (N) | Life (cycles) | Travel (mm) |
|------------------|-------------|---------------|--------------|
| KSC SLT 221J LFS | 2.4 +/- 0.7 | 200,000 | 1.35 +/-0.25 |
| KSC SLT 221G LFS | 2.4 +/- 0.7 | 200,000 | 1.35 +/-0.25 |
| KSC SLT 223J LFG | 2.4 +/- 0.7 | 200,000 | 1.35 +/-0.25 |
| KSC SLT 223G LFG | 2.4 +/- 0.7 | 200,000 | 1.35 +/-0.25 |
| KSC SLT 241J LFS | 3.5 +/- 0.9 | 200,000 | 1.35 +/-0.25 |
| KSC SLT 241G LFS | 3.5 +/- 0.9 | 200,000 | 1.35 +/-0.25 |
| KSC SLT 243J LFG | 3.5 +/- 0.9 | 200,000 | 1.35 +/-0.25 |
| KSC SLT 243G LFG | 3.5 +/- 0.9 | 200,000 | 1.35 +/-0.25 |

Electrical

| | Silver | Gold |
|-----------------------|--------|--------|
| SWITCHING POWER MAX.: | 1.0 VA | 0.2 VA |
| MAXIMUM POWER: | 1.0 VA | 0.2 VA |
| MAXIMUM VOLTAGE: | 32 VDC | 32 VDC |
| MINIMUM VOLTAGE: | 20 mV | 20 mV |
| MAXIMUM CURRENT: | 50 mA | 10 mA |
| MINIMUM CURRENT: | 1 mA | 1 mA |

DIELECTRIC STRENGTH: ≥ 250 Vrms
CONTACT RESISTANCE: < 100 m Ω
INSULATION RESISTANCE: Initial measurement: ≥ 1 G Ω
After damp heat: ≥ 10 M Ω
BOUNCE TIME: < 5 ms

Environmental

OPERATING TEMPERATURE: -40°C to +85°C (Silver)
-40°C to +125°C (Gold)

STORAGE TEMPERATURE: -40°C to +85°C (Silver)
-40°C to +125°C (Gold)

Process

Compatible with the lead free reflow soldering process.

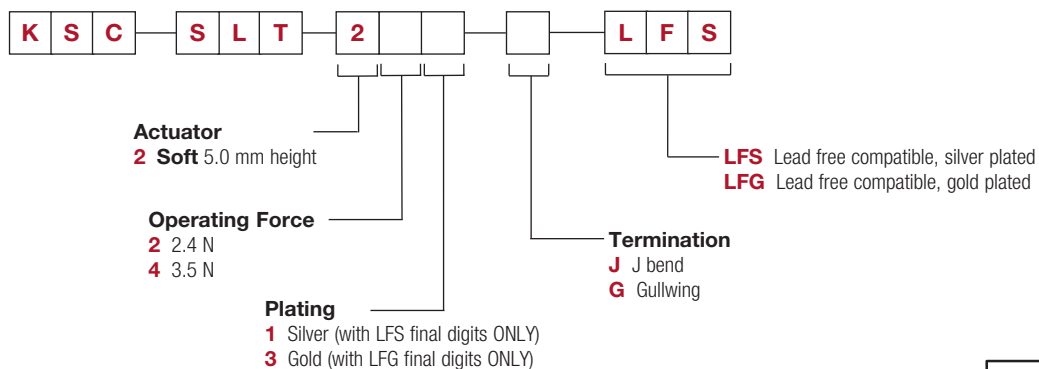
Packaging

In reels of 1,000 pieces.
Dimensions of reels according to EIA RS481 or IEC 2863.
External diameter 330 mm \pm 2 mm.

How To Order

Our easy build-a-switch concept allows you to mix and match options to create the switch you need. To order, select desired option from each category and place it in the appropriate box.

For any part number different from those listed above, please consult your local representative.



Dimensions are shown: mm

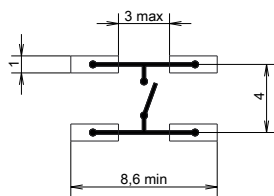
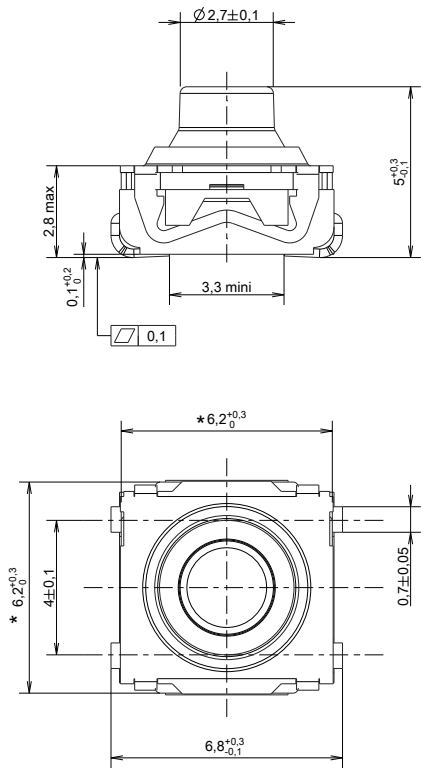
Specifications and dimensions subject to change



20 Apr 21

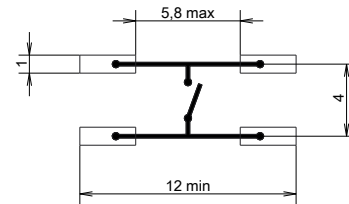
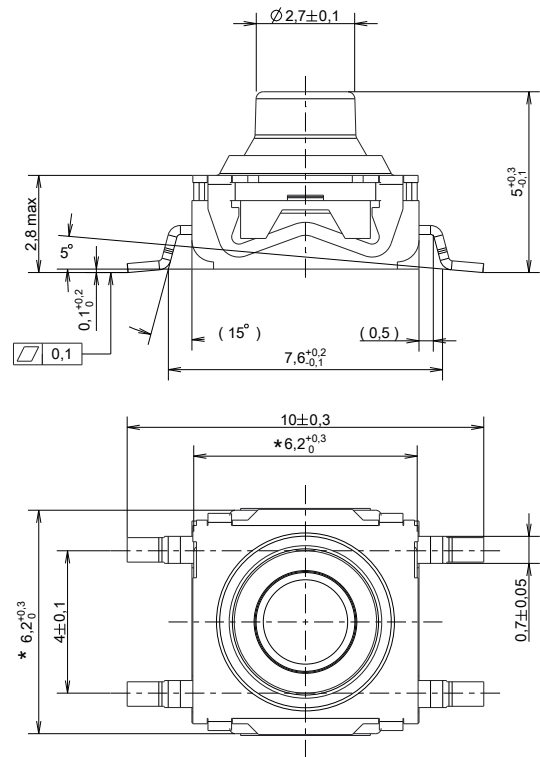
KSC SLT Series Long Travel Tact Switch

J J Bend



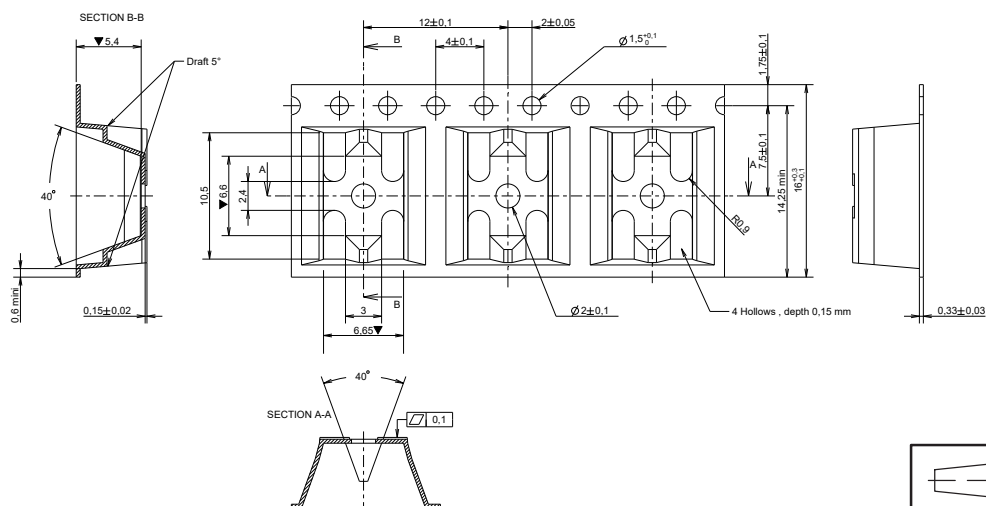
LAYOUT - PAD
SCALE : 5

G Gullwing



LAYOUT - PAD
SCALE : 5

TAPE & REEL



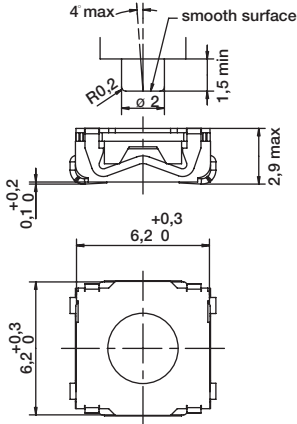
First Angle
Projection

Dimensions are shown: mm

Specifications and dimensions subject to change

KSC1 Series Sealed Tact Switch for SMT

KSC1 without actuator 2,5 mm high



| Type | Operating force FA (Newtons) | Operating life (operations) | Travel (mm) |
|--------|------------------------------|-----------------------------|-------------|
| KSC121 | 1.8 ± 0.65 | 200,000 | 0.3 ± 0.15 |
| KSC141 | 3 ± 0.75 | 200,000 | 0.3 ± 0.15 |
| KSC151 | 5.5 ± 1.4 | 100,000 | 0.35 ± 0.15 |

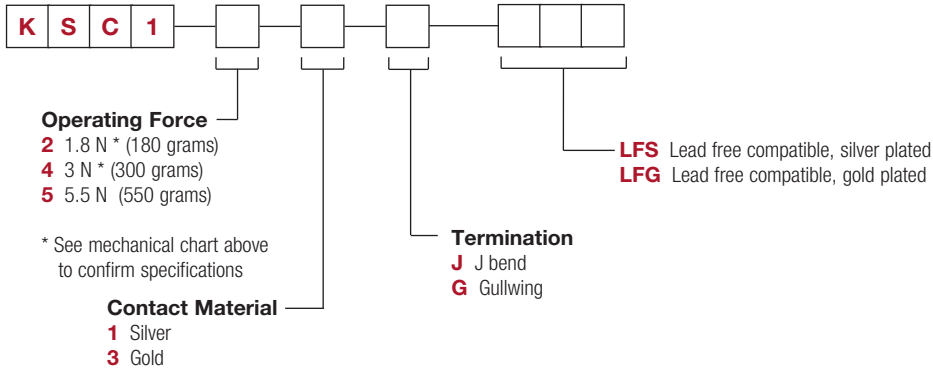
Packaging

Switches delivered on continuous tape & reels of 2,000 pieces
 Dimensions according to EIA RS-481/ IEC 60286-3 standard
 External diameter 330 ± 2 mm

How To Order

Our easy build-a-switch concept allows you to mix and match options to create the switch you need. To order, select desired option from each category and place it in the appropriate box.

However, please note that all the combinations of these options are not feasible.
 For any part number different from those listed above, please consult your local representative.



Dimensions are shown: mm

Specifications and dimensions subject to change

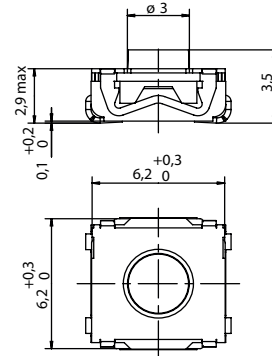


KSC2 Series Sealed Tact Switch for SMT

KSC2 soft actuator 3,5 mm high



| Type | Operating force FA (Newtons) | Operating life (operations) | Travel (mm) |
|------------|------------------------------|-----------------------------|--------------------|
| KSC201 | 1.6 ± 0.6 | 5,000,000 | 0.3 ± 0.2 |
| KSC221 | 2 ± 0.5 | 500,000 | 0.35 + 0.25/- 0.15 |
| KSC222 | 2 ± 0.5 | 1,000,000 | 0.35 + 0.25/- 0.15 |
| KSC241 | 3.5 ± 0.9 | 300,000 | 0.5 ± 0.2 |
| KSC251 | 5.55 ± 1.45 | 300,000 | 0.5 ± 0.2 |
| KSC241 SPD | 3.55 ± 0.9 | 300,000 | 0.5 ± 0.2 |
| KSC251 SPD | 6.2 ± 1.55 | 100,000 | 0.6 ± 0.2 |



Packaging

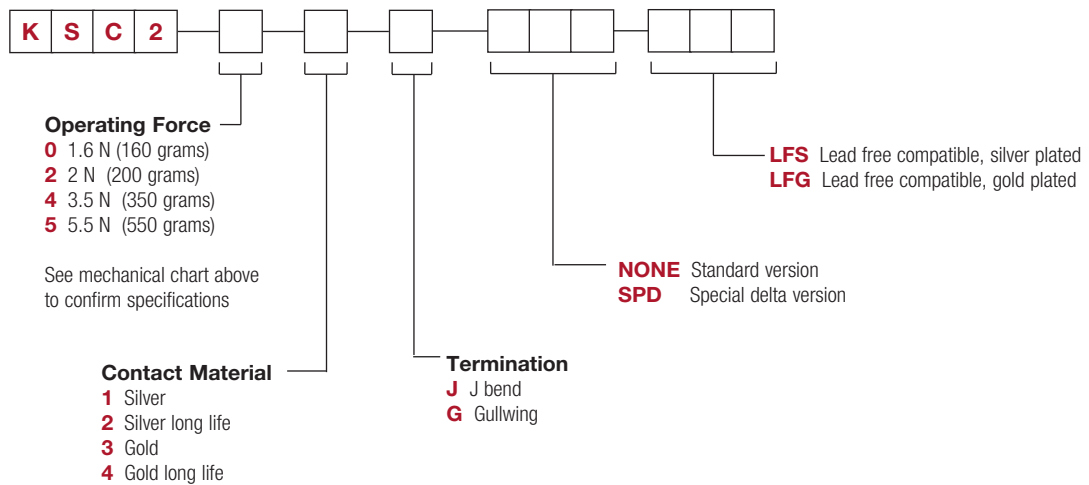
Switches delivered on continuous tape & reels of 2,000 pieces
 Dimensions according to EIA RS-481/ IEC 60286-3 standard
 External diameter 330 ± 2 mm

How To Order

Our easy build-a-switch concept allows you to mix and match options to create the switch you need. To order, select desired option from each category and place it in the appropriate box.

However, please note that all the combinations of these options are not feasible.

For any part number different from those listed above, please consult your local representative.



First Angle
Projection

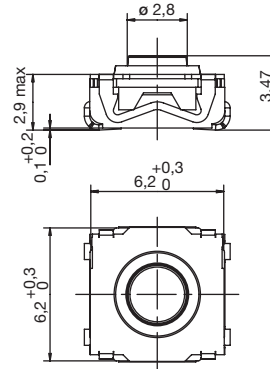
Dimensions are shown: mm
 Specifications and dimensions subject to change

KSC3 Series Sealed Tact Switch for SMT

KSC3 hard actuator 3,5 mm high



| Type | Operating force FA (Newtons) | Operating life (operations) | Travel (mm) |
|--------|------------------------------|-----------------------------|----------------|
| KSC321 | 2 ± 0.4 | 300,000 | 0.2 + 0.3/- 0 |
| KSC341 | 3 ± 0.75 | 300,000 | 0.2 + 0.3/- 0 |
| KSC351 | 5 ± 1 | 100,000 | 0.25 + 0.3/- 0 |



Packaging

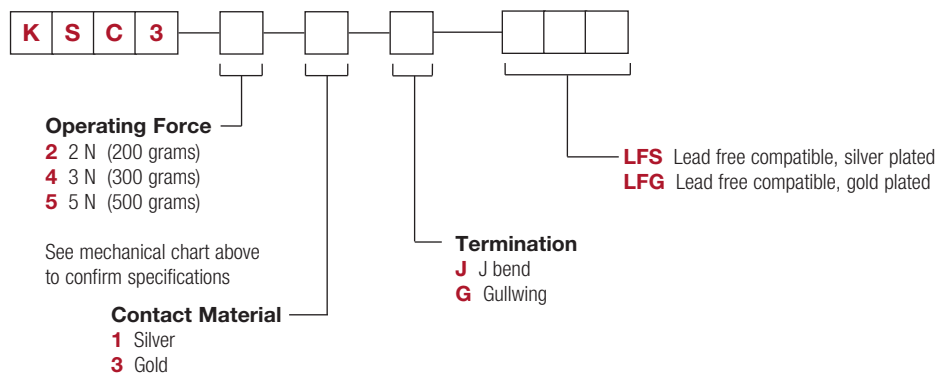
Switches delivered on continuous tape & reels of 2,000 pieces
 Dimensions according to EIA RS-481/ IEC 60286-3 standard
 External diameter 330 ± 2 mm

How To Order

Our easy build-a-switch concept allows you to mix and match options to create the switch you need. To order, select desired option from each category and place it in the appropriate box.

However, please note that all the combinations of these options are not feasible.

For any part number different from those listed above, please consult your local representative.



Dimensions are shown: mm

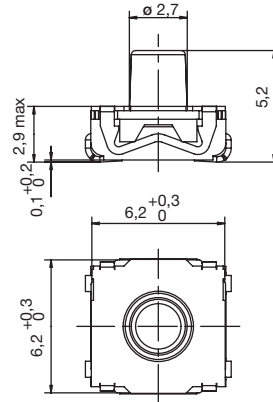
Specifications and dimensions subject to change

KSC4 Series Sealed Tact Switch for SMT

KSC4 soft actuator 5,2 mm high



| Type | Operating force FA (Newtons) | Operating life (operations) | Travel (mm) |
|-------------|------------------------------|-----------------------------|-------------|
| KSC401 50SH | 1.45 ± 0.55 | 5,000,000 | 0.5 ± 0.25 |
| KSC411 70SH | 1.4 ± 0.35 | 1,000,000 | 0.35 ± 0.20 |
| KSC421 70SH | 1.7 ± 0.45 | 300,000 | 0.5 ± 0.25 |
| KSC422 70SH | 1.7 ± 0.45 | 1,000,000 | 0.5 ± 0.25 |
| KSC441 70SH | 4 ± 1 | 300,000 | 0.75 ± 0.25 |
| KSC442 70SH | 4 ± 1 | 1,000,000 | 0.75 ± 0.25 |
| KSC451 70SH | 4.25 ± 0.75 | 300,000 | 0.8 ± 0.2 |
| KSC441 SPD | 3.5 ± 0.9 | 300,000 | 0.7 ± 0.2 |
| KSC441 ST1 | 3.4 ± 1 | 300,000 | 0.7 ± 0.25 |
| KSC441 ST2 | 3.4 ± 1 | 300,000 | 0.35 ± 0.20 |
| KSC461 ST1 | 6.25 ± 1.75 | 100,000 | 1 ± 0.3 |
| KSC461 ST2 | 6.25 ± 1.75 | 300,000 | 0.5 ± 0.2 |



Tactile Switches

Packaging

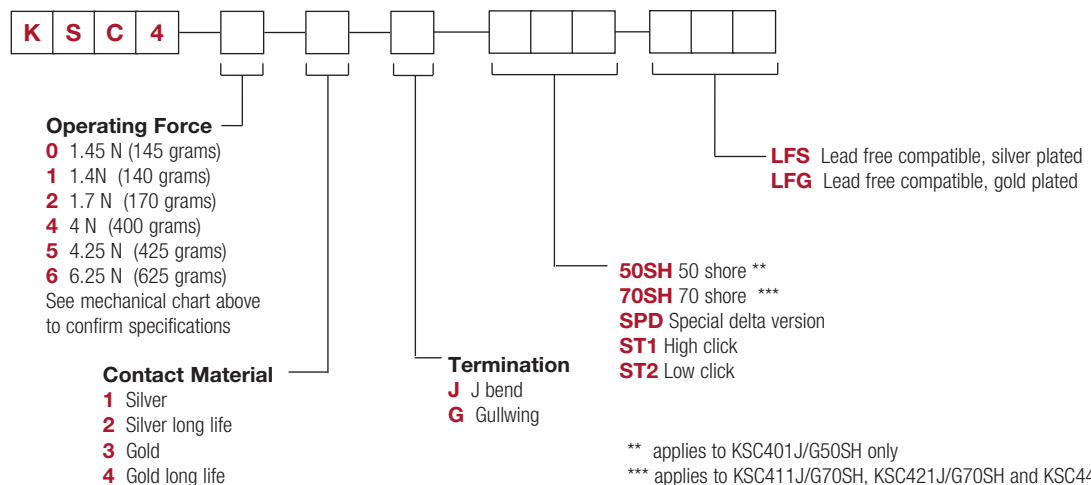
Switches delivered on continuous tape & reels of 1,000 pieces
Dimensions according to EIA RS-481/ IEC 60286-3 standard
External diameter 330 ± 2 mm

How To Order

Our easy build-a-switch concept allows you to mix and match options to create the switch you need. To order, select desired option from each category and place it in the appropriate box.

However, please note that all the combinations of these options are not feasible.

For any part number different from those listed above, please consult your local representative.



KSC DCT Series Dual Circuit Technology Tact Switch

Features/Benefits

- SPDT NC-NO function
- Silicone actuator
- J or G terminations
- Tape & reel
- IP67

Typical Applications

- Automotive
- Medical equipment
- Industrial electronics



| Type | Force (N) | Operating Life (operations) | Travel (mm) |
|----------------------|--------------|-----------------------------|-----------------|
| KSC441J DCT 70SH LFS | 4.75 +/-1.25 | 300,000 | 0.85+0.35/-0.25 |
| KSC441G DCT 70SH LFS | 4.75 +/-1.25 | 300,000 | 0.85+0.35/-0.25 |

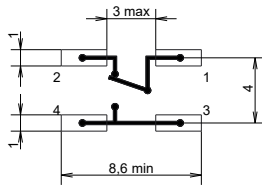
Packaging

In reels of 1,000 pieces.

Dimensions of reels according to EIA RS481 or IEC 2863.

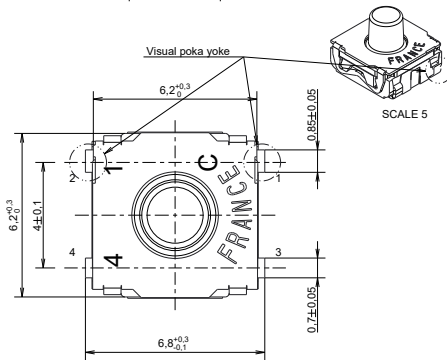
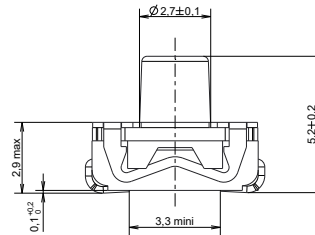
External diameter 330 ± 2 mm

PCB Layout



LAYOUT - PAD
SCALE : 5

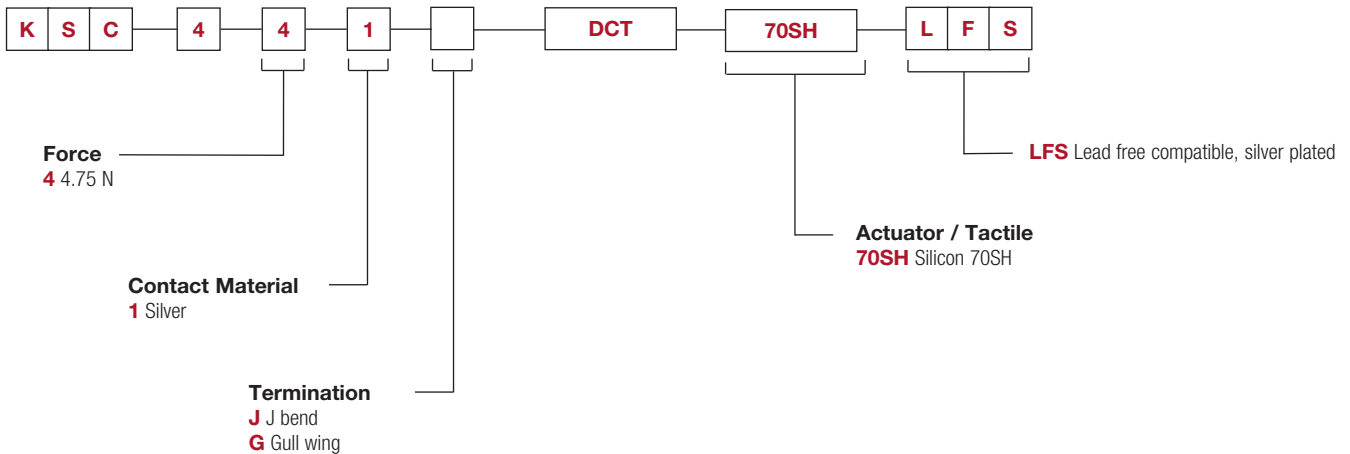
1 - 2 NC
1 - 3 NO



How To Order

Our easy build-a-switch concept allows you to mix and match options to create the switch you need. To order, select desired option from each category and place it in the appropriate box.

For any part number different from those listed above, please consult your local representative.



First Angle
Projection

KSC PF Series Potting Friendly Tact Switch



Features/Benefits

- Extended Cage
- Silicone actuator
- J or G terminations
- Tape & reel
- IP67

Typical Applications

- Automotive
- Medical equipment
- Industrial electronics

| Type | Force (N) | Operating Life (operations) | Travel (mm) |
|---------------------|--------------|-----------------------------|-------------|
| KSC421G 70SH LFS PF | 1.8+/-0.45 | 300,000 | 0.5+/-0.25 |
| KSC421J 70SH LFS PF | 1.8+/-0.45 | 300,000 | 0.5+/-0.25 |
| KSC422G 70SH LFS PF | 1.8+/-0.45 | 1,000,000 | 0.5+/-0.25 |
| KSC422J 70SH LFS PF | 1.8+/-0.45 | 1,000,000 | 0.5+/-0.25 |
| KSC441G 70SH LFS PF | 4 +/- 1 | 300,000 | 0.65+/-0.25 |
| KSC441J 70SH LFS PF | 4 +/- 1 | 300,000 | 0.65+/-0.25 |
| KSC442G 70SH LFS PF | 4 +/- 1 | 1,000,000 | 0.65+/-0.25 |
| KSC442J 70SH LFS PF | 4 +/- 1 | 1,000,000 | 0.65+/-0.25 |
| KSC461G 70SH LFS PF | 6.25+/- 1.75 | 300,000 | 0.75+/-0.25 |
| KSC461J 70SH LFS PF | 6.25+/- 1.75 | 300,000 | 0.75+/-0.25 |
| KSC471G 70SH LFS PF | 4 +/- 1 | 300,000 | 0.65+/-0.25 |
| KSC471J 70SH LFS PF | 4 +/- 1 | 300,000 | 0.65+/-0.25 |

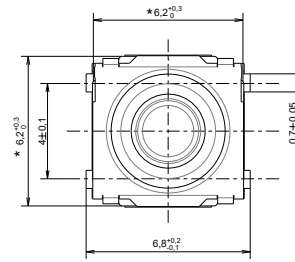
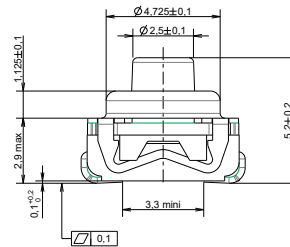
Max. potting height: 2.9 mm

Packaging

In reels of 1,000 pieces.

Dimensions of reels according to EIA RS481 or IEC 2863.

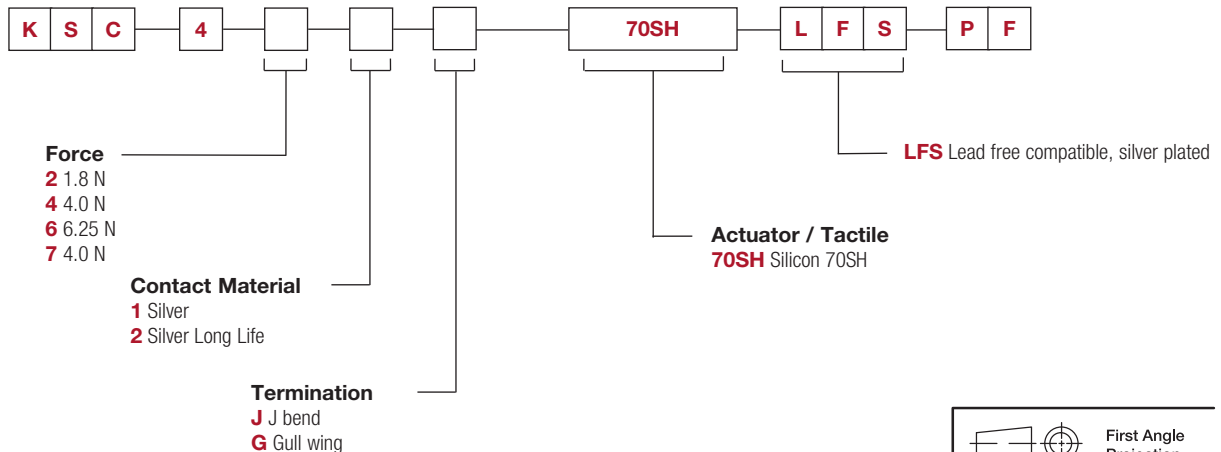
External diameter 330 ± 2 mm



How To Order

Our easy build-a-switch concept allows you to mix and match options to create the switch you need. To order, select desired option from each category and place it in the appropriate box.

For any part number different from those listed above, please consult your local representative.



Dimensions are shown: mm
 Specifications and dimensions subject to change

KSC OF Series Overload Friendly Tact Switch



Features/Benefits

- Extended cage for mechanical stop
- Silicone actuator
- J termination
- Tape & reel
- IP67

Typical Applications

- Industrial electronics
- Consumer
- Medical equipment
- Automotive interior

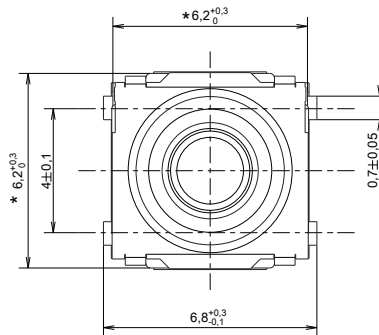
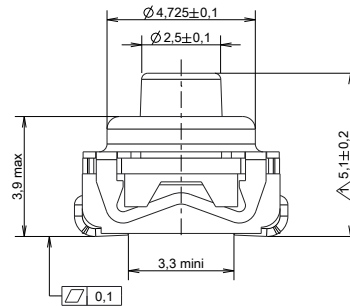
Tactile Switches

| Type | Force (N) | Life | Travel (mm) |
|---------------------|-------------|---------|---------------|
| KSC421J 70SH LFS OF | 1.65+/-0.45 | 300,000 | 0.5+/-0.25 |
| KSC441J 70SH LFS OF | 4.0+/-1.0 | 300,000 | 0.65+0.3/-0.2 |

- Life time is 300,000 cycles at 20N actuation force
- The extended cage can be used as mechanical stop for the activation button
- Overload value reaches 200N (one time)

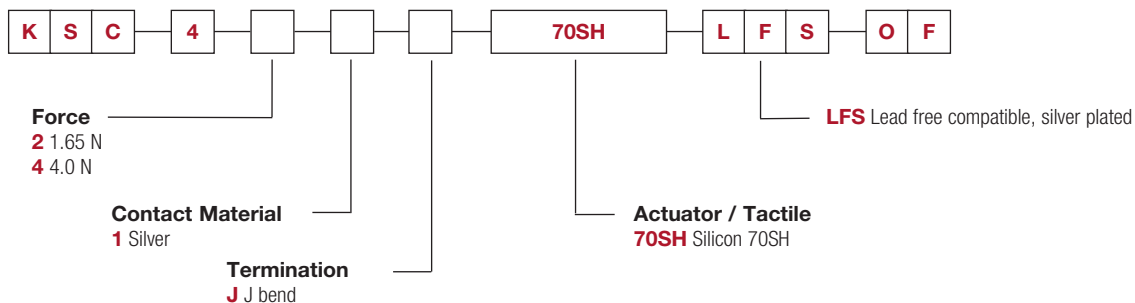
Packaging

In reels of 1,000 pieces
 Dimensions of reels according to EIA RS481 or IEC 2863
 External diameter 330 ± 2 mm



How To Order

Our easy build-a-switch concept allows you to mix and match options to create the switch you need. To order, select desired option from each category and place it in the appropriate box. For any part number different from those listed above, please consult your local representative.



Dimensions are shown: mm
 Specifications and dimensions subject to change

NEW

KSC TE Series Tireless Endurance Tact Switch



Features/Benefits

- New combination of dome/support
- Silicone actuator
- J terminations
- Tape & reel
- IP67

Typical Applications

- Elevator
- Game controllers
- Industrial applications

| Type | Force (N) | Life | Travel (mm) | Electrical Height ON (mm) (from PCB) |
|-----------------|------------|------------|-------------|--------------------------------------|
| KSC2 TE 01J LFS | 1.60+/-0.6 | 10,000,000 | 0.25+/-0.2 | 3.25 ±0.2 |
| KSC2 TE 31J LFS | 2.80+/-0.7 | 5,000,000 | 0.30+/-0.2 | 3.25 ±0.2 |
| KSC2 TE 41J LFS | 4.00+/-1.0 | 5,000,000 | 0.35+/-0.2 | 3.20 ±0.2 |

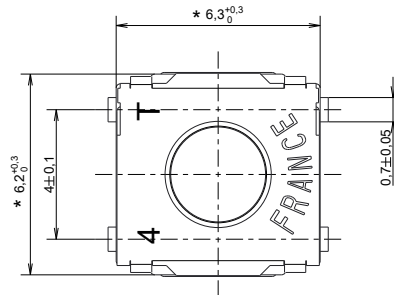
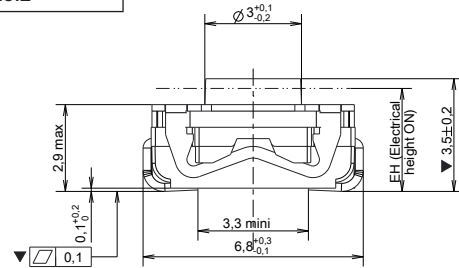
Life time under electrical load (24 V, 1.3 mA)

Packaging

In reels of 2,000 pieces

Dimensions of reels according to EIA RS481 or IEC 2863

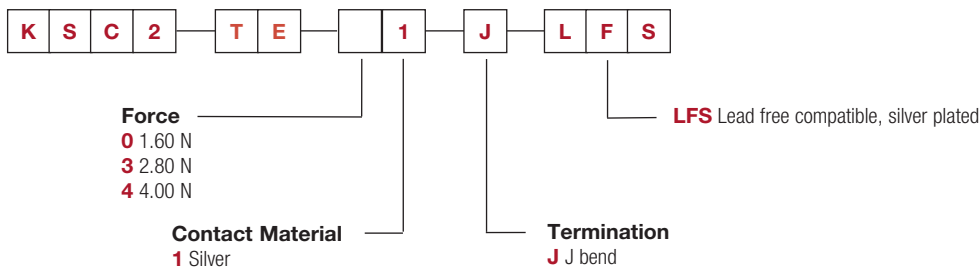
External diameter 330 ± 2 mm



How To Order

Our easy build-a-switch concept allows you to mix and match options to create the switch you need. To order, select desired option from each category and place it in the appropriate box.

For any part number different from those listed above, please consult your local representative.



KSC5 Series Tact Switch with Rocker Option for SMT

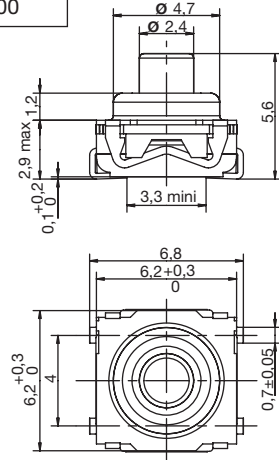
KSC5 hard actuator 5,6 mm high



| Type | Operating force axial FA N (grams) | Operating force lateral FL N (grams) ±30% | Travel to make axial (mm) | Travel to make lateral (mm) | Life expectancy cycles, axial | Life expectancy cycles, lateral |
|--------|---------------------------------------|--|---------------------------|-----------------------------|-------------------------------|---------------------------------|
| KSC521 | 2 ± 0.5 | 1.2 - 2.6 | 0.25 ± 0.15 | 0.5 ± 0.25 | 100,000 | 10,000 |
| KSC541 | 3 ± 0.75 | 1.8 - 3.8 | 0.25 ± 0.15 | 0.5 ± 0.25 | 100,000 | 10,000 |

Packaging

Switches delivered on continuous tape & reels of 1,000 pieces, dimensions according to EIA RS-481/ IEC 60286-3 standard
External diameter 330 ± 2 mm

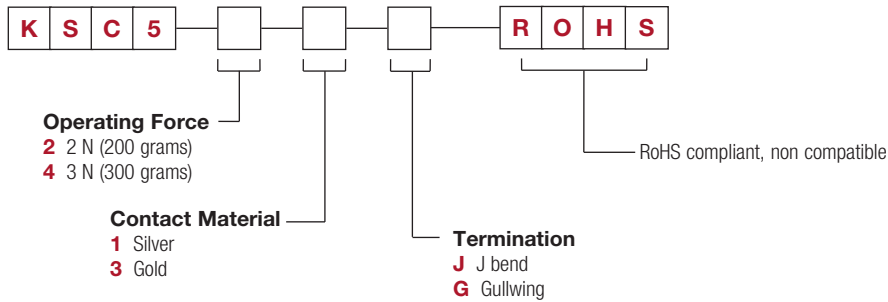


How To Order

Our easy build-a-switch concept allows you to mix and match options to create the switch you need. To order, select desired option from each category and place it in the appropriate box.

However, please note that all the combinations of these options are not feasible.

For any part number different from those listed above, please consult your local representative.



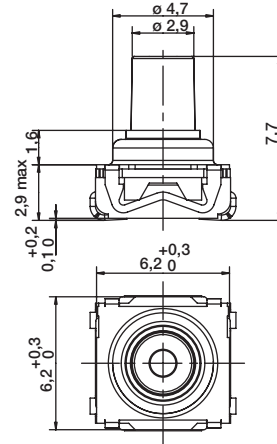
Dimensions are shown: mm
Specifications and dimensions subject to change

KSC6 Series Sealed Tact Switch for SMT

KSC6 hard actuator 7,7 mm high



| Type | Operating force FA (Newtons) | Operating life (operations) | Travel (mm) |
|--------|------------------------------|-----------------------------|-------------|
| KSC621 | 1.7 ± 0.5 | 300,000 | 0.4 ± 0.2 |
| KSC631 | 2.55 ± 0.65 | 300,000 | 0.4 ± 0.2 |
| KSC641 | 3.4 ± 0.85 | 300,000 | 0.4 ± 0.2 |



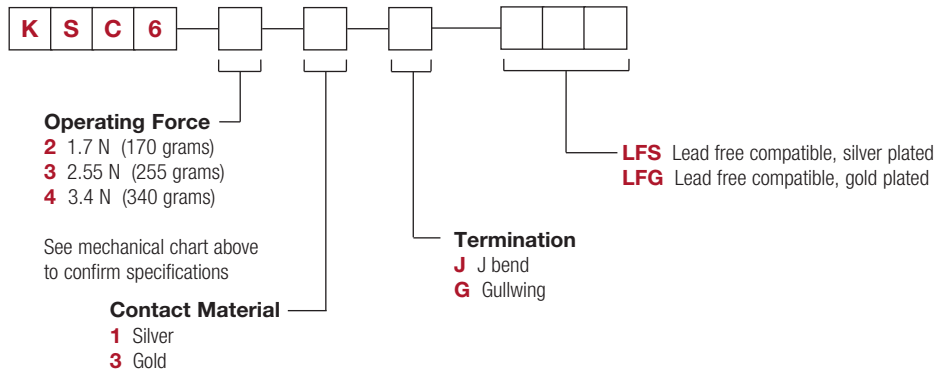
Packaging

Switches delivered on continuous tape & reels of 950 pieces
Dimensions according to EIA RS-481/ IEC 60286-3 standard
External diameter 380 ± 2 mm

How To Order

Our easy build-a-switch concept allows you to mix and match options to create the switch you need. To order, select desired option from each category and place it in the appropriate box.

**However, please note that all the combinations of these options are not feasible.
For any part number different from those listed above, please consult your local representative.**



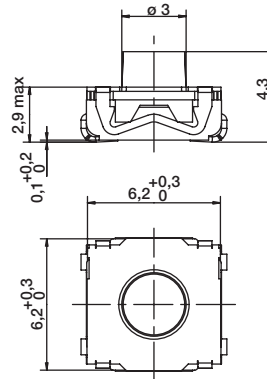
Dimensions are shown: mm
Specifications and dimensions subject to change

KSC7 Series Sealed Tact Switch for SMT

KSC7 soft actuator 4,3 mm high



| Type | Operating force FA (Newtons) | Operating life (operations) | Travel (mm) |
|--------|------------------------------|-----------------------------|-------------|
| KSC701 | 1.6 ± 0.6 | 5,000,000 | 0.3 ± 0.2 |
| KSC721 | 2.25 ± 0.55 | 300,000 | 0.3 ± 0.15 |
| KSC741 | 3.9 ± 1 | 300,000 | 0.4 ± 0.2 |



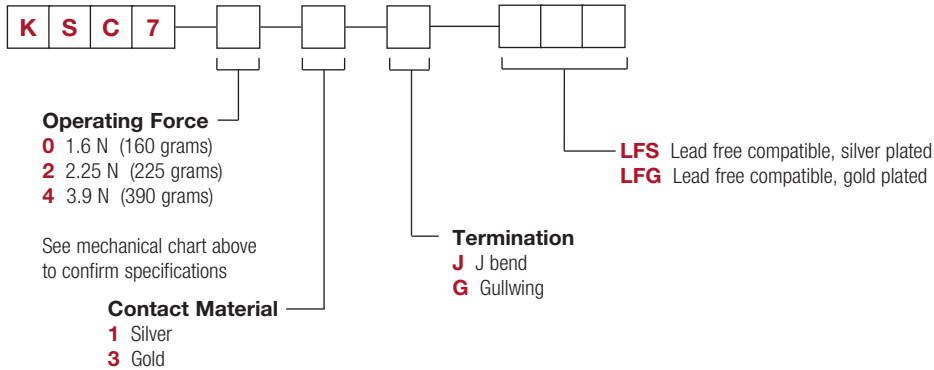
Packaging

Switches delivered on continuous tape & reels of 1,000 pieces
 Dimensions according to EIA RS-481/ IEC 60286-3 standard
 External diameter 330 ± 2 mm

How To Order

Our easy build-a-switch concept allows you to mix and match options to create the switch you need. To order, select desired option from each category and place it in the appropriate box.

**However, please note that all the combinations of these options are not feasible.
 For any part number different from those listed above, please consult your local representative.**

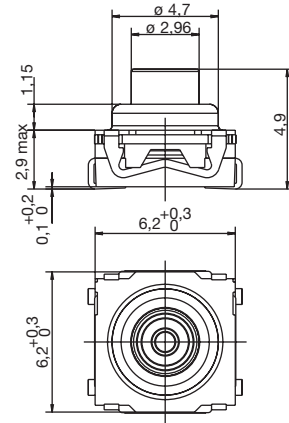


KSC8 Series Sealed Tact Switch for SMT

KSC8 hard actuator 4,9 mm high



| Type | Operating force FA (Newtons) | Operating life (operations) | Travel (mm) |
|-----------|------------------------------|-----------------------------|-------------|
| KSC821 | 3.15 ± 0.75 | 300,000 | 0.65 ± 0.2 |
| KSC821 OL | 1.7 ± 0.5 | 300,000 | 0.4 ± 0.2 |
| KSC831 OL | 2.55 ± 0.65 | 300,000 | 0.4 ± 0.2 |
| KSC841 OL | 3.4 ± 0.85 | 300,000 | 0.4 ± 0.2 |



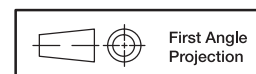
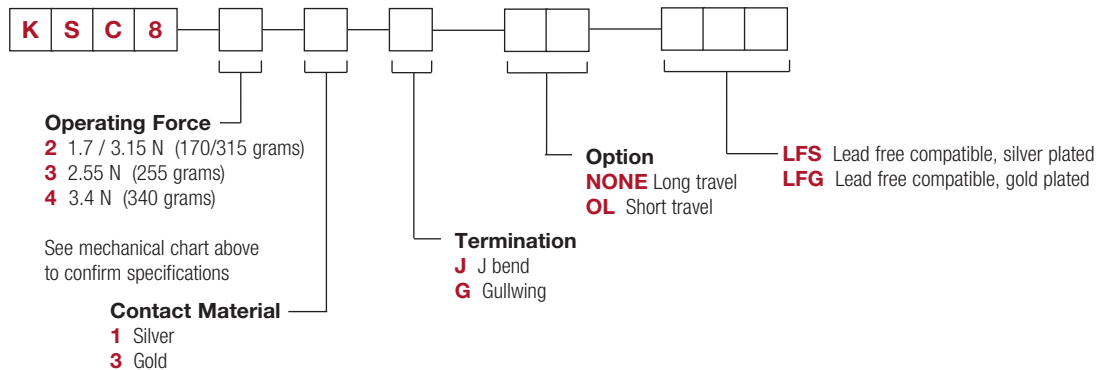
Packaging

Switches delivered on continuous tape & reels of 1,000 pieces
 Dimensions according to EIA RS-481/ IEC 60286-3 standard
 External diameter 330 ± 2 mm

How To Order

Our easy build-a-switch concept allows you to mix and match options to create the switch you need. To order, select desired option from each category and place it in the appropriate box.

However, please note that all the combinations of these options are not feasible.
 For any part number different from those listed above, please consult your local representative.



Dimensions are shown: mm
 Specifications and dimensions subject to change

KSC9 Series Sealed Tact Switches for SMT

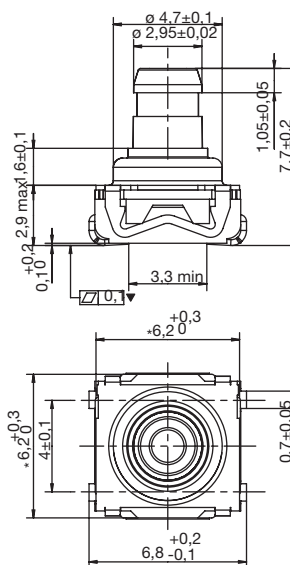
KSC9 hard actuator 7,7 mm high



| Type | Operating force FA (Newtons) | Operating life (operations) | Travel (mm) |
|--------|------------------------------|-----------------------------|-------------|
| KSC921 | 1.7 ± 0.5 | 300,000 | 0.4 ± 0.2 |
| KSC931 | 2.25 ± 0.65 | 300,000 | 0.4 ± 0.2 |
| KSC941 | 3.4 ± 0.85 | 300,000 | 0.4 ± 0.2 |

Packaging

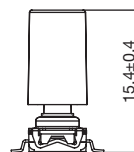
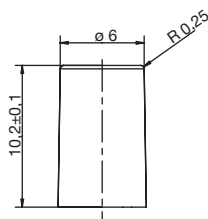
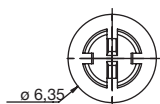
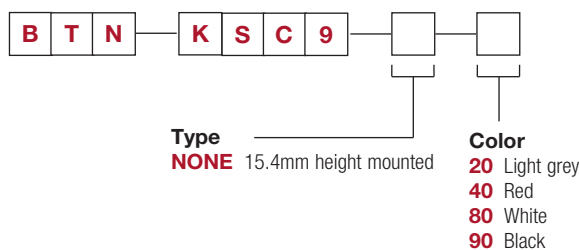
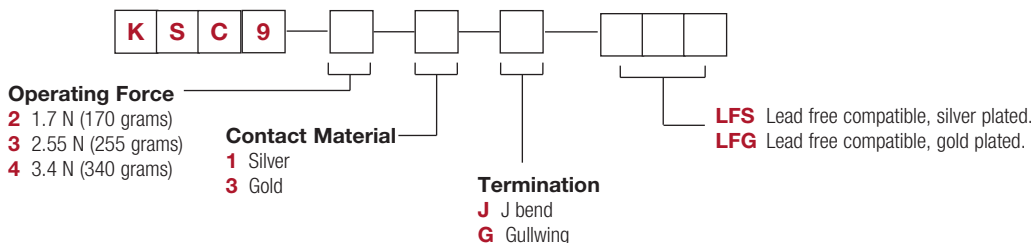
Switches delivered on continuous tape & reels of 950 pieces
Dimensions according to EIA RS-481/ IEC 60286-3 standard
External diameter 380 ± 2 mm



How To Order

Our easy build-a-switch concept allows you to mix and match options to create the switch you need. To order, select desired option from each category and place it in the appropriate box.

For any part number different from those listed above, please consult your local representative.



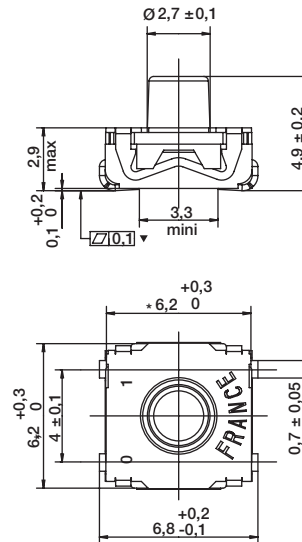
SWITCH WITH CAP



Dimensions are shown: mm
Specifications and dimensions subject to change

KSC10 Series Sealed Tact Switches for SMT

KSC10 soft actuator 4,9 mm high



| Type | Operating force FA (Newtons) | Operating life (operations) | Travel (mm) |
|---------|------------------------------|-----------------------------|-------------|
| KSC1001 | 1.45 ± 0.55 | 5,000,000 | 0.45 ± 0.25 |

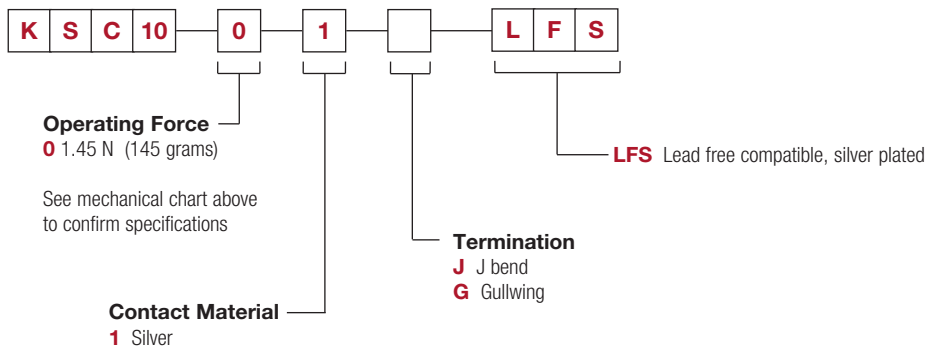
Packaging

Switches delivered on continuous tape & reels of 1,000 pieces
 Dimensions according to EIA RS-481/ IEC 60286-3 standard
 External diameter 330 ± 2 mm

How To Order

Our easy build-a-switch concept allows you to mix and match options to create the switch you need. To order, select desired option from each category and place it in the appropriate box.

**However, please note that all the combinations of these options are not feasible.
 For any part number different from those listed above, please consult your local representative.**



Note: KSC10 offered with yellow actuator as standard, hardness 55 Shore



First Angle
Projection

Dimensions are shown: mm
 Specifications and dimensions subject to change

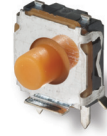
KSC V2 Series Side Actuated Sealed Tact Switch

Features/Benefits

- Full SMD side actuated
- Haptic adaptability
- Pin in paste terminations
- Tape & reel
- IP67

Typical Applications

- Automotive
- Industrial electronics
- Network equipment
- Telecommunications



Specification

FUNCTION: momentary action
 CONTACT ARRANGEMENT: 1 make contact = SPST, N.O.
 TERMINALS:
 2 pin in paste signal terminals
 3 SMD ground terminals

Mechanical

| Type | Force (N) | Operating Life (operations) | Travel (mm) |
|----------------------------|-------------|-----------------------------|-------------|
| KSC201 V2 LFS | 1.6 ± 0.6 | 1,000,000 | 0.3 ± 0.2 |
| KSC421 V2 70SH LFS | 1.55 ± 0.45 | 300,000 | 0.45 ± 0.25 |
| KSC441V2 70SH SP DELTA LFS | 3.5 ± 1.0 | 300,000 | 0.7 ± 0.2 |
| KSC443V2 70SH SP DELTA LFG | 3.5 ± 1.0 | 300,000 | 0.7 ± 0.2 |
| KSC421 V2 RT LFS | 1.8 ± 0.5 | 300,000 | 0.3 ± 0.2 |
| KSC423 V2 RT LFG | 1.8 ± 0.5 | 300,000 | 0.3 ± 0.2 |
| KSC441 V2 RT LFS | 3.4 ± 1.0 | 300,000 | 0.35 ± 0.2 |

NOTE: Other configurations of haptics are available upon demand

MISUSE OVERLOAD: 40N with back support
 SHEAR FORCE: 10N without back support

Electrical

| | Silver | Gold |
|------------------|--------|--------|
| MAXIMUM POWER: | 1 VA | 0.2 VA |
| MAXIMUM VOLTAGE: | 32 VDC | 32 VDC |
| MINIMUM VOLTAGE: | 20 mV | 20 mV |
| MAXIMUM CURRENT: | 50 mA | 10 mA |
| MINIMUM CURRENT: | 1 mA | 0.1 mA |

DIELECTRIC STRENGTH (50 Hz, 1 min.): ≥ 250 Vrms
 CONTACT RESISTANCE: ≤ 100 mΩ
 INSULATION RESISTANCE (100 V, initial stage): > 10⁹ Ω
 BOUNCE TIME: < 1 ms

Environmental

| | Silver | Gold |
|------------------------|---------------|----------------|
| OPERATING TEMPERATURE: | -40°C to 85°C | -40°C to 125°C |
| STORAGE TEMPERATURE: | -55°C to 85°C | -55°C to 125°C |

Process

SOLDERING: Depending on the application, this component is suited to the following methods:

- Cleaning according to typical washing processes.
- Lead free reflow soldering process in accordance with IEC 61760-1.

TERMINALS: pin in paste, silver or gold plated
 TOP PLATE: tin plated
 MSL level: 1
 Vacuum pick head mandatory

Packaging

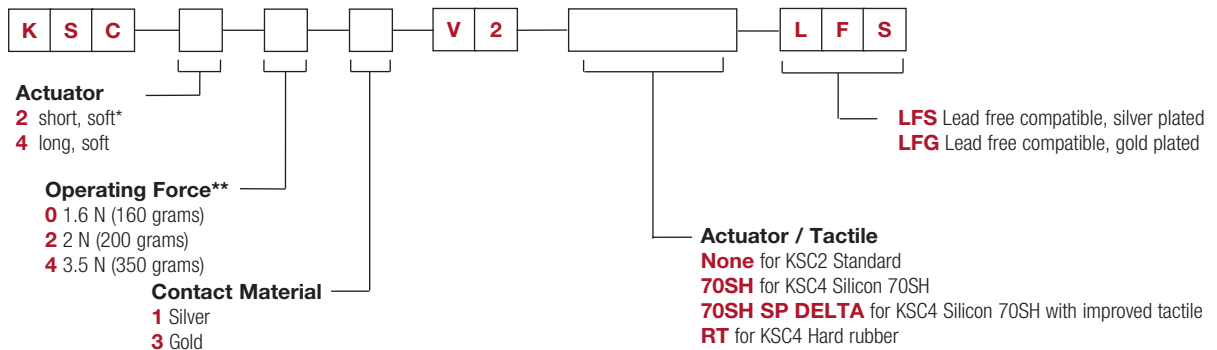
In reels of 800 pieces.
 Dimensions of reels according to EIA RS481 or IEC 2863.
 External diameter 380 mm ± 2 mm.

NOTE: This product is designed and manufactured for general electronic devices.
 For systems where reliability and safety are required, please contact your sales representative to secure product integration and function to secure usage.

How To Order

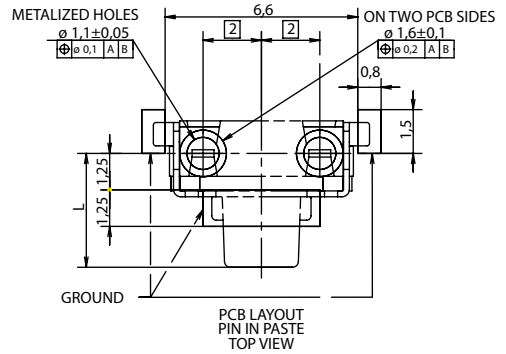
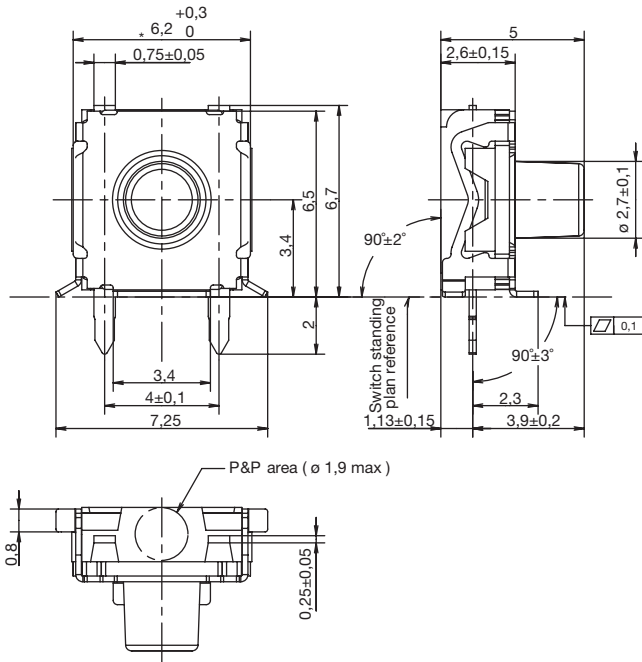
Our easy build-a-switch concept allows you to mix and match options to create the switch you need. To order, select desired option from each category and place it in the appropriate box.

For any part number different from those listed above, please consult your local representative.



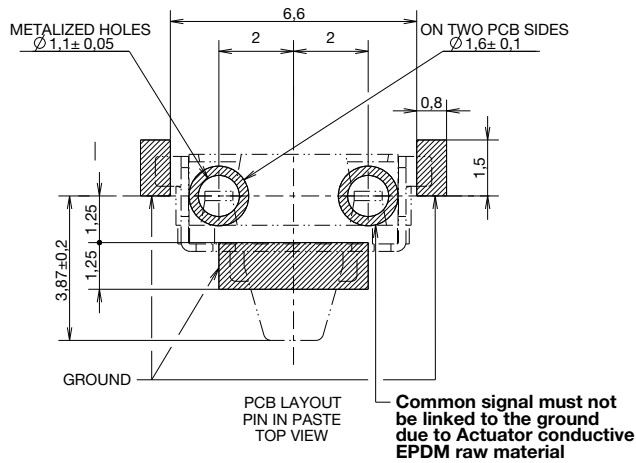
* KSC2 version available upon demand
 ** Force available upon demand (variant version)

KSC V2 Series Side Actuated Sealed Tact Switch



| Series | L |
|--------|-----|
| KSC2 | 2,3 |
| KSC4 | 3,9 |

IMPORTANT NOTE FOR RT ACTUATOR

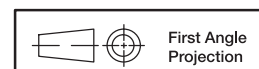


This actuator is not compatible with grease even with restricted contact.

In case of the integration of an actuator or button by the customer, please consult us if use of plasticizer agent for button raw material (risk of chemical migration).

Our actuator contains carbon particles and is electrical conductive. In consequence, customer actuator must be electric insulating raw material.

Due to the cover raw material plating, small tin balls can appear after the reflow soldering process. These small tin balls are located near all cutting areas.

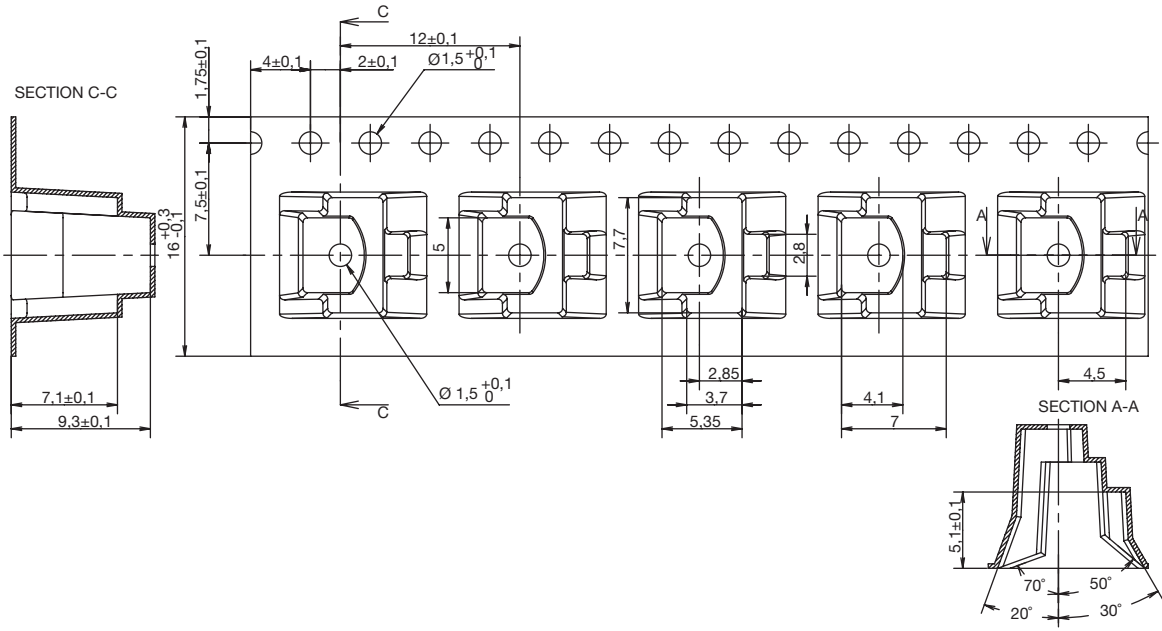


First Angle
Projection

Dimensions are shown: mm

Specifications and dimensions subject to change

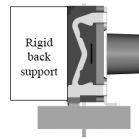
TAPE AND REEL



B

Tactile Switches

INTEGRATION



X-ON Electronics

Largest Supplier of Electrical and Electronic Components

Click to view similar products for [Tactile Switches](#) category:

Click to view products by [C&K](#) manufacturer:

Other Similar products are found below :

[5GTH92001](#) [1-1977120-4](#) [ADTSA62NV](#) [ADTSA62RV](#) [ADTSA63KV](#) [ADTSA644NV](#) [ADTSMW66NV](#) [ADTSMW67RV](#) [B3F-3123](#) [B3F-6055A](#) [B3F-B32-01-KIT](#) [1977177-8](#) [1977266-1](#) [ADTS644KV](#) [ADTSA61RV](#) [ADTSA62KV](#) [ADTSA63NV](#) [ADTSA63RV](#) [ADTSM21NSVTR](#) [ADTSM32NVTR](#) [ADTSM63SVTR](#) [ADTSM644KVTR](#) [ADTSMW64RV](#) [ADTSMW69NV](#) [FSMRA4JHA04](#) [GS4.70F300QP](#) [3ESH9R](#) [506E00201](#) [MJTP1164TR](#) [3FTL600RAS](#) [3FTL640RAS](#) [Y96K132V0FPLFS](#) [101-TS5022T1601-EV](#) [5GSH92001](#) [KSJ0A231](#) [80SH LFG](#) [ADTSM31NVTR](#) [EVQ-P1D05K](#) [MJTP1162TR](#) [ADTSM63KV](#) [2-1977120-7](#) [TSJW-5.2-260-TR](#) [KMT011MNGJLHS](#) [B3WN6002S](#) [ADTSA648RV](#) [70-201.0](#) [ADTSG648NV](#) [ADTSM62KSVTR](#) [ATA600VTR](#) [ADTSG66RV](#) [ADTS61NV](#)