

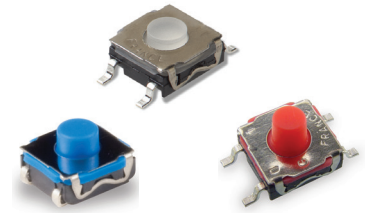
KSC Series Sealed Tact Switch for SMT

Features/Benefits

- Positive tactile feeling
- J or G terminations
- Various heights
- IP67

Typical Applications

- Automotive
- Medical instruments
- Industrial electronics
- Network infrastructure and IT
- Elevator



Tactile Switches

B

Specification

FUNCTION: Momentary action
 CONTACT ARRANGEMENT: 1 make contact = SPST, N.O.
 TERMINALS: J bend & Gullwing type for SMT
 SEALING: IP67 except KSC5 (IP50)

Liability Limitation

This datasheet does not provide enough information for applications that require a certain level of quality or safety such as automotive, medical systems, or safety equipment. Please contact customer service for the contractual specification package.

Electrical

	Silver	Gold
MAXIMUM POWER:	1 VA	0.2 VA
MAXIMUM VOLTAGE:	32 VDC	32 VDC
MINIMUM VOLTAGE:	20 mV	20 mV
MAXIMUM CURRENT:	50 mA	10 mA
MINIMUM CURRENT:	1 mA*	0.1 mA

DIELECTRIC STRENGTH (50 Hz, 1 min.): ≥ 250 Vrms
 CONTACT RESISTANCE: ≤ 100 m Ω
 INSULATION RESISTANCE (100 V): ≥ 10 M Ω
 BOUNCE TIME: ≤ 1 ms

* Ultra low current with 10 μ A - 1 VDC version are available upon request for KSC2 and KSC4

Environmental

	Silver	Gold
OPERATING TEMPERATURE:	-40°C to 85°C	-40°C to 125°C
STORAGE TEMPERATURE:	-55°C to 85°C	-55°C to 125°C

Packaging

Tape and Reel (see series for quantity information)

NOTE: Specifications listed above are for switches with standard options.

Process

SOLDERING: Depending on the application, this component is suited to the following methods:

- Terminals being silver or gold plated over a nickel barrier, the use of slightly activated flux is suitable.
- Soldering on double wave machine for vertical versions: soldering time ≤ 5 sec.
- Cleaning according to typical washing processes.
- Lead free reflow soldering process in accordance with IEC 61760-1.

KSC Product Range

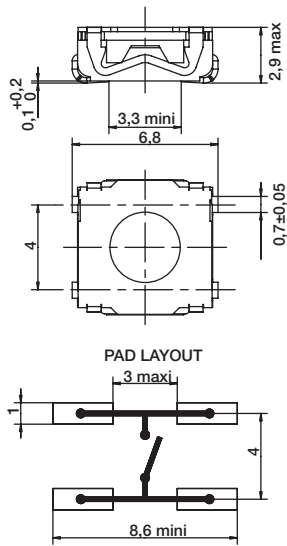
KSC1	KSC2	KSC3	KSC4	KSC5	KSC6	KSC7	KSC8	KSC9	KSC10	KSC11
Without actuator	Soft actuator	Hard actuator	Soft actuator	Hard actuator	Hard actuator	Soft actuator	Hard actuator	Hard actuator	Soft actuator	Hard actuator
H = 2.5 mm	H = 3.5 mm	H = 3.5 mm	H = 5.2 mm	H = 5.6 mm	H = 7.7 mm	H = 4.4 mm	H = 4.9 mm	H = 7.7 mm compatible with button	H = 4.9 mm	H = 4 mm
IP67	IP67	IP67	IP67	IP50	IP67	IP67	IP67	IP67	IP67	IP67



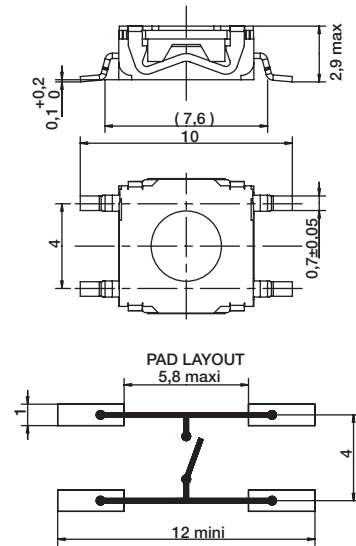
Note: KSC Series is subject to variants. Please contact customer service for other options.

KSC Series Sealed Tact Switch for SMT

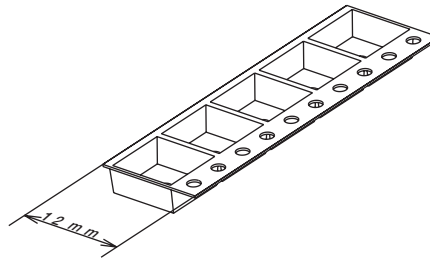
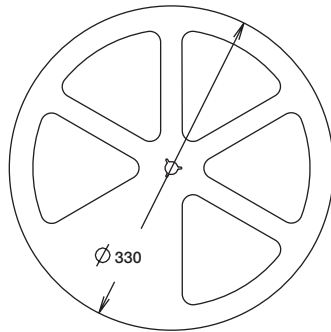
J BEND



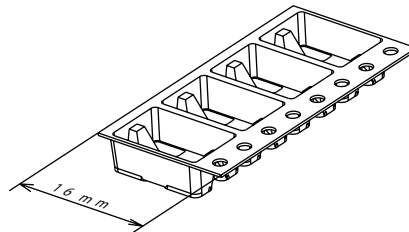
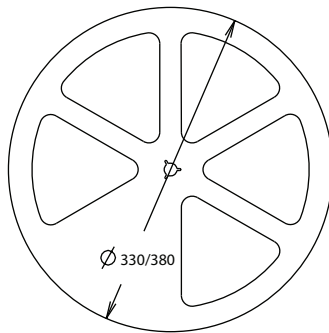
G GULLWING



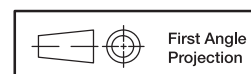
12 MM



16 MM



12 mm	Pieces	16 mm	Pieces	Reel Diameter
KSC1J	2,000	KSC1G	2,000	330 mm
KSC2J	2,000	KSC2G	2,000	330 mm
KSC3J	2,000	KSC3G	2,000	330 mm
		KSC4J & G	1,000	330 mm
		KSC5J & G	1,000	330 mm
		KSC6J & G	950	380 mm
		KSC7J & G	1,000	330 mm
		KSC8J & G	1,000	330 mm
		KSC9J & G	950	380 mm
		KSC10J & G	1,000	330 mm
		KSC11J	1,000	380 mm



First Angle
Projection

Dimensions are shown: mm
Specifications and dimensions subject to change

KSC XA Series Soft Sound Tact Switch

Features/Benefits

- New soft sound
- Extended cage
- IP67
- Long life
- J terminations
- Tape & reel

Typical Applications

- Automotive interior & openings (gear shift paddle, steering wheel, window lifter, seat adjustment modules, trunk & door handle modules)
- Medical & industrial electronics (front panel, instrumentation)



Type	Force (N)	Life (cycles)	Travel (mm)
KSC XA 35J LFS	3.5 +/-1	1,000,000	0.7+/-0.2
KSC XA 40J LFS	4.0 +/-1	1,000,000	0.7+/-0.2
KSC XA 55J LFS	5.5 +/-1.1	1,000,000	0.7+/-0.2
KSC XA 68J LFS	6.8 +/- 1.4	500,000	0.7+/-0.2
KSC XA 96J LFS	9.6 +/- 2.4	150,000	0.7+/-0.2

POWER: 0.002 VA min. / 1VA Max.

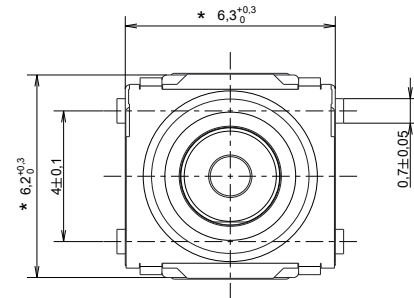
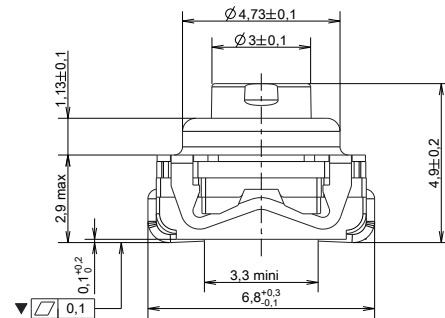
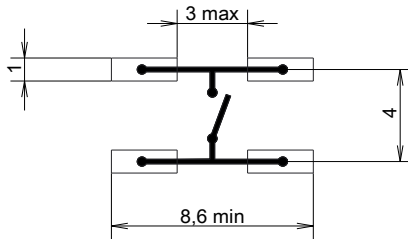
VOLTAGE: 2V min. / 24V Max.

CURRENT: 1mA min. / 42mA Max.

OPERATING TEMPERATURE: -40°C / +95°C

CONTACT RESISTANCE: 0.1 ohm

PCB LAYOUT



Packaging

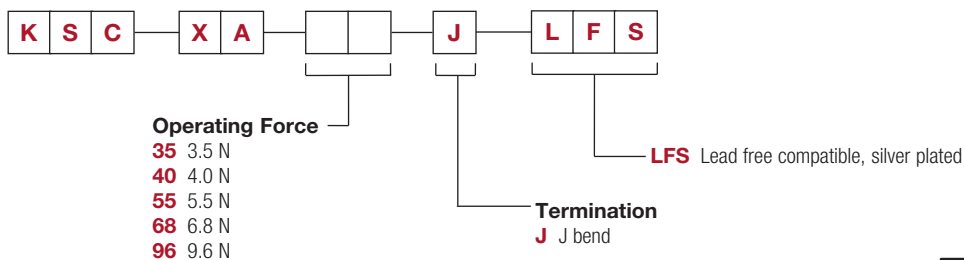
In reels of 1,400 pieces.

Dimensions of reels according to EIA RS481 or IEC 2863. External diameter 380 mm ± 2 mm.

How To Order

Our easy build-a-switch concept allows you to mix and match options to create the switch you need. To order, select desired option from each category and place it in the appropriate box.

For any part number different from those listed above, please consult your local representative.



First Angle
Projection

Dimensions are shown: mm
Specifications and dimensions subject to change



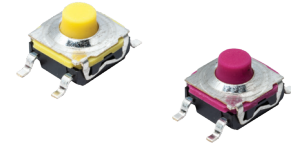
KSC SLT Series Long Travel Tact Switch

Features/Benefits

- Long travel
- Soft sound
- IP40
- J & G terminations
- Tape & reel

Typical Applications

- Automotive interior
- Front panel
- Instrumentation



Tactile Switches

B

Specification

FUNCTION: Momentary
CONTACT ARRANGEMENT: 1 make contact = SPST, N.O.
TERMINALS: J bend & Gullwing type for SMT

Mechanical

MAXIMUM APPLIED FORCE: 40N
* VALID ONE TIME. MAXIMUM ALLOWED TRAVEL TO AVOID OVERLOAD ISSUES IS 1.70MM.

Type	Force (N)	Life (cycles)	Travel (mm)
KSC SLT 221J LFS	2.4 +/- 0.7	200,000	1.35 +/-0.25
KSC SLT 221G LFS	2.4 +/- 0.7	200,000	1.35 +/-0.25
KSC SLT 223J LFG	2.4 +/- 0.7	200,000	1.35 +/-0.25
KSC SLT 223G LFG	2.4 +/- 0.7	200,000	1.35 +/-0.25
KSC SLT 241J LFS	3.5 +/- 0.9	200,000	1.35 +/-0.25
KSC SLT 241G LFS	3.5 +/- 0.9	200,000	1.35 +/-0.25
KSC SLT 243J LFG	3.5 +/- 0.9	200,000	1.35 +/-0.25
KSC SLT 243G LFG	3.5 +/- 0.9	200,000	1.35 +/-0.25

Electrical

	Silver	Gold
SWITCHING POWER MAX.:	1.0 VA	0.2 VA
MAXIMUM POWER:	1.0 VA	0.2 VA
MAXIMUM VOLTAGE:	32 VDC	32 VDC
MINIMUM VOLTAGE:	20 mV	20 mV
MAXIMUM CURRENT:	50 mA	10 mA
MINIMUM CURRENT:	1 mA	1 mA

DIELECTRIC STRENGTH: ≥ 250 Vrms
CONTACT RESISTANCE: < 100 m Ω
INSULATION RESISTANCE: Initial measurement: ≥ 1 G Ω
After damp heat: ≥ 10 M Ω
BOUNCE TIME: < 5 ms

Environmental

OPERATING TEMPERATURE: -40°C to +85°C (Silver)
-40°C to +125°C (Gold)
STORAGE TEMPERATURE: -40°C to +85°C (Silver)
-40°C to +125°C (Gold)

Process

Compatible with the lead free reflow soldering process.

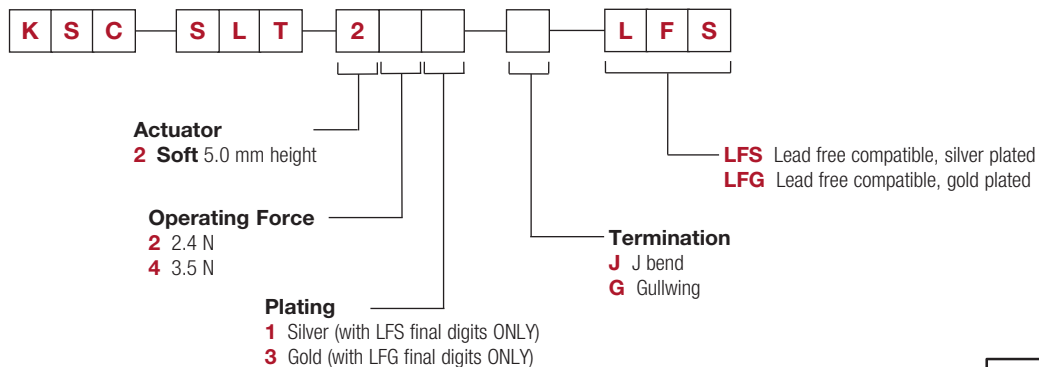
Packaging

In reels of 1,000 pieces.
Dimensions of reels according to EIA RS481 or IEC 2863.
External diameter 330 mm \pm 2 mm.

How To Order

Our easy build-a-switch concept allows you to mix and match options to create the switch you need. To order, select desired option from each category and place it in the appropriate box.

For any part number different from those listed above, please consult your local representative.



Dimensions are shown: mm

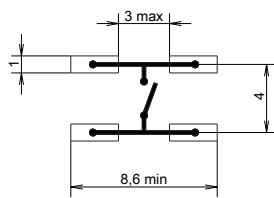
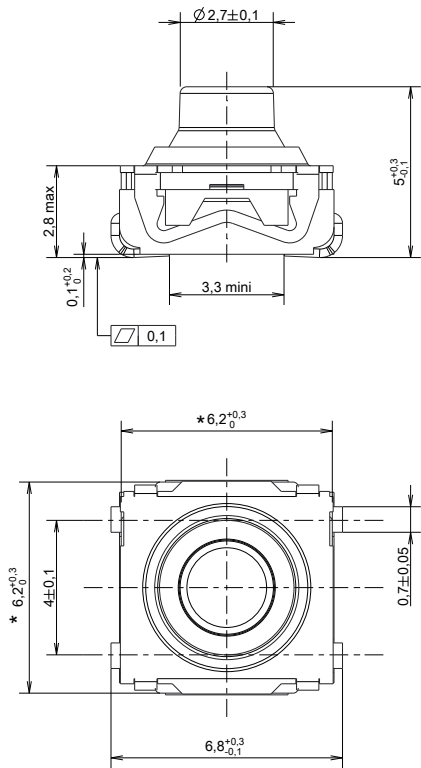
Specifications and dimensions subject to change



20 Apr 21

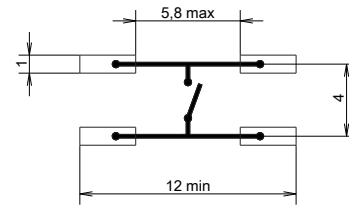
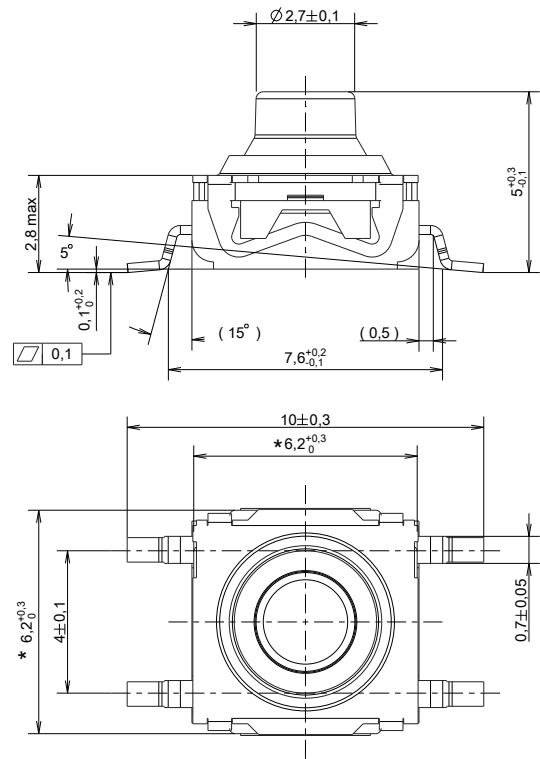
KSC SLT Series Long Travel Tact Switch

J J Bend



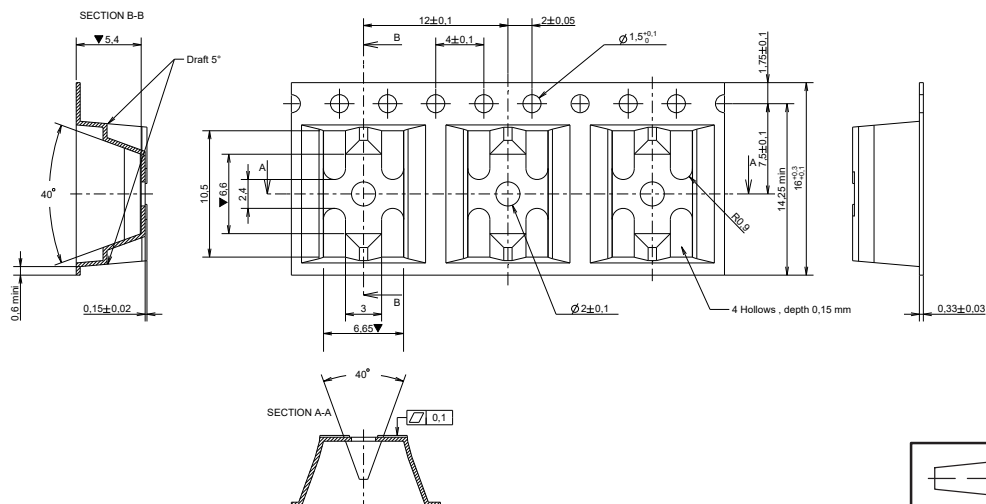
LAYOUT - PAD
SCALE : 5

G Gullwing



LAYOUT - PAD
SCALE : 5

TAPE & REEL



First Angle
Projection

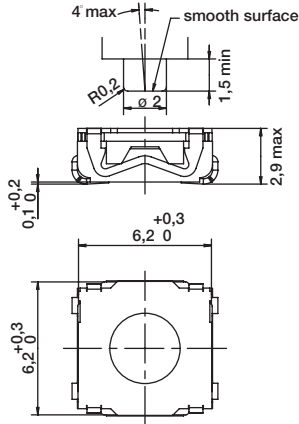
Dimensions are shown: mm
Specifications and dimensions subject to change

KSC1 Series Sealed Tact Switch for SMT

KSC1 without actuator 2,5 mm high



Type	Operating force FA (Newtons)	Operating life (operations)	Travel (mm)
KSC121	1.8 ± 0.65	200,000	0.3 ± 0.15
KSC141	3 ± 0.75	200,000	0.3 ± 0.15
KSC151	5.5 ± 1.4	100,000	0.35 ± 0.15



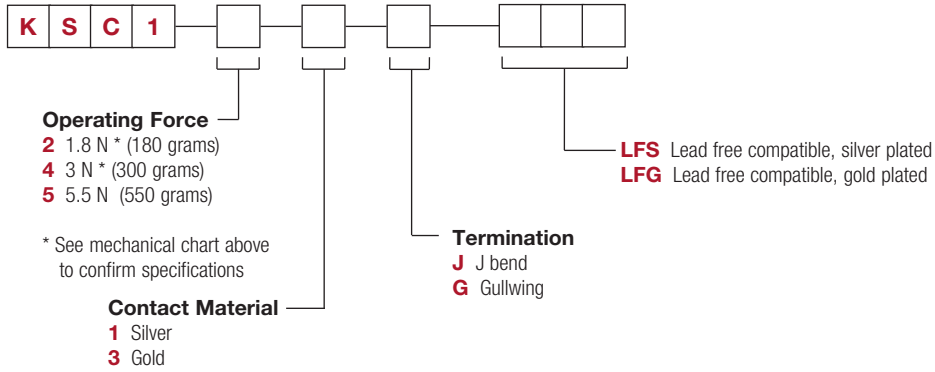
Packaging

Switches delivered on continuous tape & reels of 2,000 pieces
 Dimensions according to EIA RS-481/ IEC 60286-3 standard
 External diameter 330 ± 2 mm

How To Order

Our easy build-a-switch concept allows you to mix and match options to create the switch you need. To order, select desired option from each category and place it in the appropriate box.

However, please note that all the combinations of these options are not feasible.
 For any part number different from those listed above, please consult your local representative.



Dimensions are shown: mm
 Specifications and dimensions subject to change

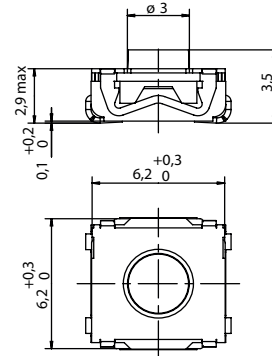


KSC2 Series Sealed Tact Switch for SMT

KSC2 soft actuator 3,5 mm high



Type	Operating force FA (Newtons)	Operating life (operations)	Travel (mm)
KSC201	1.6 ± 0.6	5,000,000	0.3 ± 0.2
KSC221	2 ± 0.5	500,000	0.35 + 0.25/- 0.15
KSC222	2 ± 0.5	1,000,000	0.35 + 0.25/- 0.15
KSC241	3.5 ± 0.9	300,000	0.5 ± 0.2
KSC251	5.55 ± 1.45	300,000	0.5 ± 0.2
KSC241 SP DELTA	3.55 ± 0.9	300,000	0.5 ± 0.2
KSC251 SP DELTA	6.2 ± 1.55	100,000	0.6 ± 0.2



Packaging

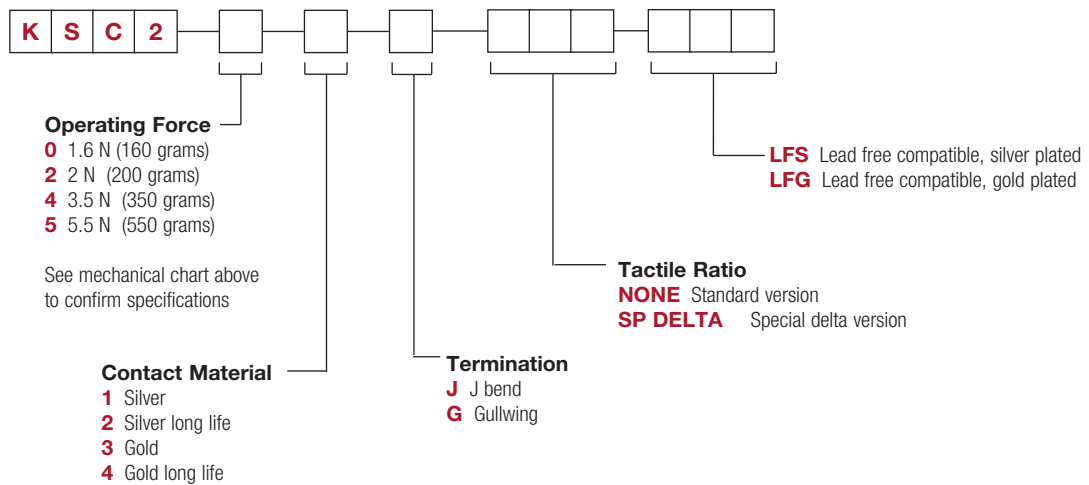
Switches delivered on continuous tape & reels of 2,000 pieces
 Dimensions according to EIA RS-481/ IEC 60286-3 standard
 External diameter 330 ± 2 mm

How To Order

Our easy build-a-switch concept allows you to mix and match options to create the switch you need. To order, select desired option from each category and place it in the appropriate box.

However, please note that all the combinations of these options are not feasible.

For any part number different from those listed above, please consult your local representative.



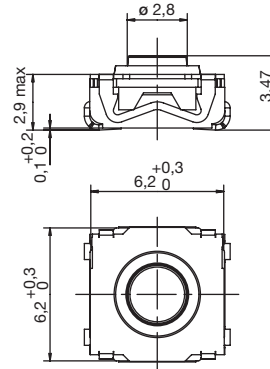
Dimensions are shown: mm
 Specifications and dimensions subject to change

KSC3 Series Sealed Tact Switch for SMT

KSC3 hard actuator 3,5 mm high



Type	Operating force FA (Newtons)	Operating life (operations)	Travel (mm)
KSC321	2 ± 0.4	300,000	0.2 + 0.3/- 0
KSC341	3 ± 0.75	300,000	0.2 + 0.3/- 0
KSC351	5 ± 1	100,000	0.25 + 0.3/- 0



Packaging

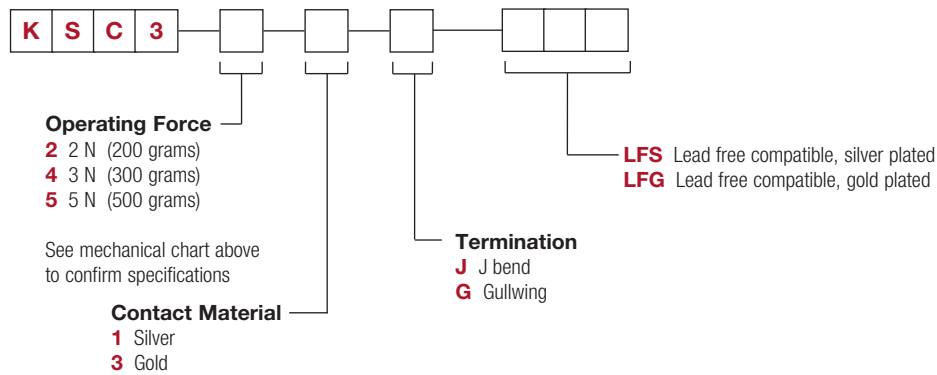
Switches delivered on continuous tape & reels of 2,000 pieces
 Dimensions according to EIA RS-481/ IEC 60286-3 standard
 External diameter 330 ± 2 mm

How To Order

Our easy build-a-switch concept allows you to mix and match options to create the switch you need. To order, select desired option from each category and place it in the appropriate box.

However, please note that all the combinations of these options are not feasible.

For any part number different from those listed above, please consult your local representative.



Dimensions are shown: mm

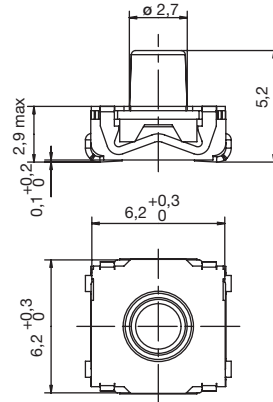
Specifications and dimensions subject to change

KSC4 Series Sealed Tact Switch for SMT

KSC4 soft actuator 5,2 mm high



Type	Operating force FA (Newtons)	Operating life (operations)	Travel (mm)
KSC401 50SH	1.45 ± 0.55	5,000,000	0.5 ± 0.25
KSC411 70SH	1.4 ± 0.35	1,000,000	0.35 ± 0.20
KSC421 70SH	1.7 ± 0.45	300,000	0.5 ± 0.25
KSC422 70SH	1.7 ± 0.45	1,000,000	0.5 ± 0.25
KSC441 70SH	4 ± 1	300,000	0.75 ± 0.25
KSC442 70SH	4 ± 1	1,000,000	0.75 ± 0.25
KSC451 70SH	4.25 ± 0.75	300,000	0.8 ± 0.2
KSC441 SPD	3.5 ± 0.9	300,000	0.7 ± 0.2
KSC441 ST1	3.4 ± 1	300,000	0.7 ± 0.25
KSC441 ST2	3.4 ± 1	300,000	0.35 ± 0.20
KSC461 ST1	6.25 ± 1.75	100,000	1 ± 0.3
KSC461 ST2	6.25 ± 1.75	300,000	0.5 ± 0.2



Tactile Switches

Packaging

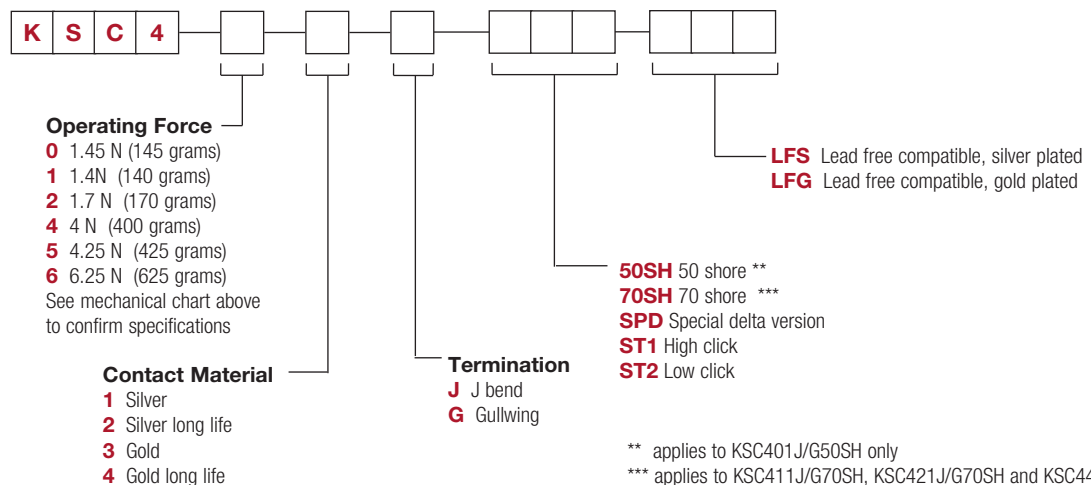
Switches delivered on continuous tape & reels of 1,000 pieces
Dimensions according to EIA RS-481/ IEC 60286-3 standard
External diameter 330 ± 2 mm

How To Order

Our easy build-a-switch concept allows you to mix and match options to create the switch you need. To order, select desired option from each category and place it in the appropriate box.

However, please note that all the combinations of these options are not feasible.

For any part number different from those listed above, please consult your local representative.



Dimensions are shown: mm
Specifications and dimensions subject to change



KSC DCT Series Dual Circuit Technology Tact Switch

Features/Benefits

- SPDT NC-NO function
- Silicone actuator
- J or G terminations
- Tape & reel
- IP67

Typical Applications

- Automotive
- Medical equipment
- Industrial electronics

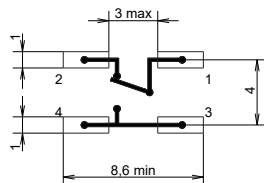


Type	Force (N)	Operating Life (operations)	Travel (mm)
KSC441J DCT 70SH LFS	4.75 +/-1.25	300,000	0.85+0.35/-0.25
KSC441G DCT 70SH LFS	4.75 +/-1.25	300,000	0.85+0.35/-0.25

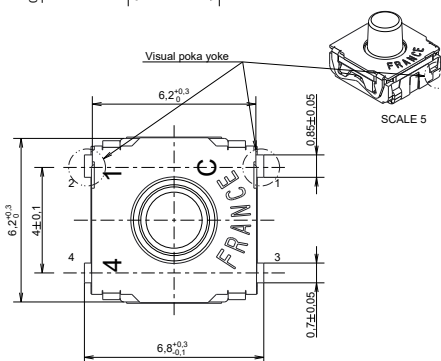
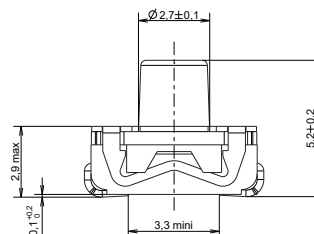
Packaging

In reels of 1,000 pieces.
Dimensions of reels according to EIA RS481 or IEC 2863.
External diameter 330 ± 2 mm

PCB Layout



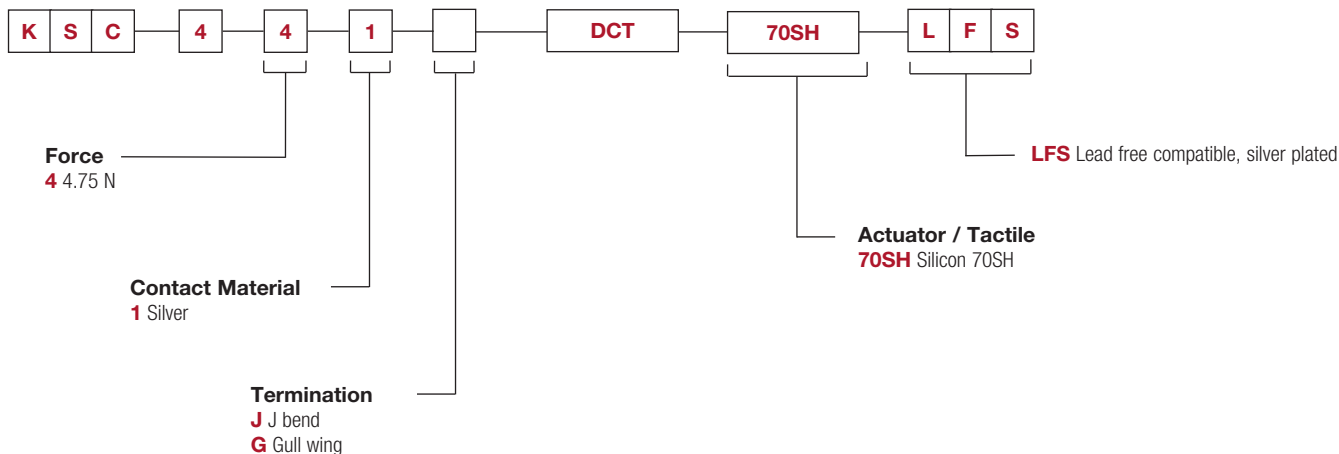
LAYOUT - PAD
SCALE : 5
1- 2 NC
1- 3 NO



How To Order

Our easy build-a-switch concept allows you to mix and match options to create the switch you need. To order, select desired option from each category and place it in the appropriate box.

For any part number different from those listed above, please consult your local representative.



Dimensions are shown: mm
Specifications and dimensions subject to change

KSC PF Series Potting Friendly Tact Switch



Features/Benefits

- Extended Cage
- Silicone actuator
- J or G terminations
- Tape & reel
- IP67

Typical Applications

- Automotive
- Medical equipment
- Industrial electronics

Type	Force (N)	Operating Life (operations)	Travel (mm)
KSC421G 70SH LFS PF	1.8+/-0.45	300,000	0.5+/-0.25
KSC421J 70SH LFS PF	1.8+/-0.45	300,000	0.5+/-0.25
KSC422G 70SH LFS PF	1.8+/-0.45	1,000,000	0.5+/-0.25
KSC422J 70SH LFS PF	1.8+/-0.45	1,000,000	0.5+/-0.25
KSC441G 70SH LFS PF	4 +/- 1	300,000	0.65+/-0.25
KSC441J 70SH LFS PF	4 +/- 1	300,000	0.65+/-0.25
KSC442G 70SH LFS PF	4 +/- 1	1,000,000	0.65+/-0.25
KSC442J 70SH LFS PF	4 +/- 1	1,000,000	0.65+/-0.25
KSC461G 70SH LFS PF	6.25+/- 1.75	300,000	0.75+/-0.25
KSC461J 70SH LFS PF	6.25+/- 1.75	300,000	0.75+/-0.25
KSC471G 70SH LFS PF	4 +/- 1	300,000	0.65+/-0.25
KSC471J 70SH LFS PF	4 +/- 1	300,000	0.65+/-0.25

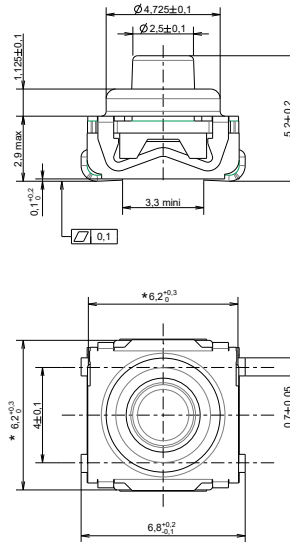
Max. potting height: 2.9 mm

Packaging

In reels of 1,000 pieces.

Dimensions of reels according to EIA RS481 or IEC 2863.

External diameter 330 ± 2 mm



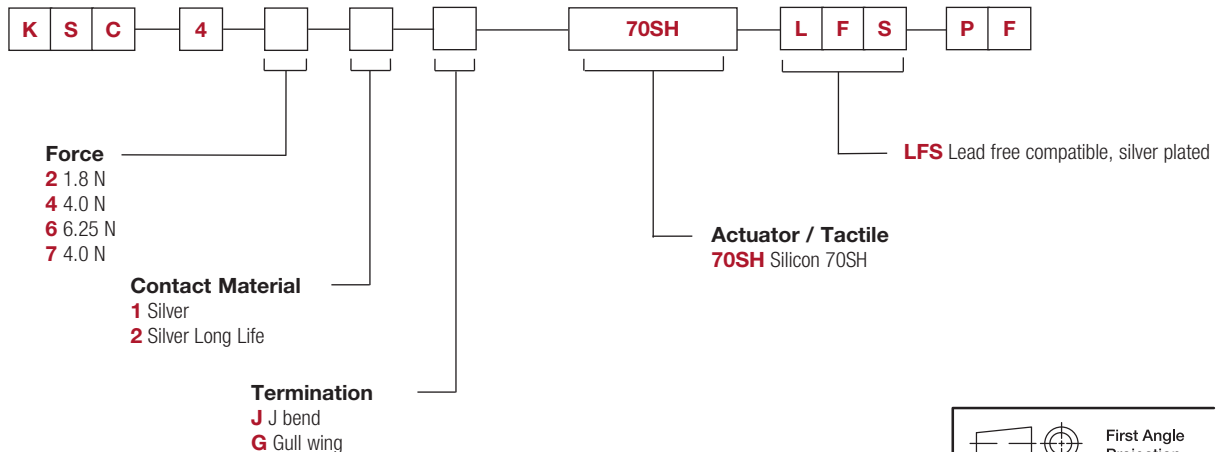
B

Tactile Switches

How To Order

Our easy build-a-switch concept allows you to mix and match options to create the switch you need. To order, select desired option from each category and place it in the appropriate box.

For any part number different from those listed above, please consult your local representative.



18 sep 18

KSC OF Series Overload Friendly Tact Switch



Features/Benefits

- Extended cage for mechanical stop
- Silicone actuator
- J termination
- Tape & reel
- IP67

Typical Applications

- Industrial electronics
- Consumer
- Medical equipment
- Automotive interior

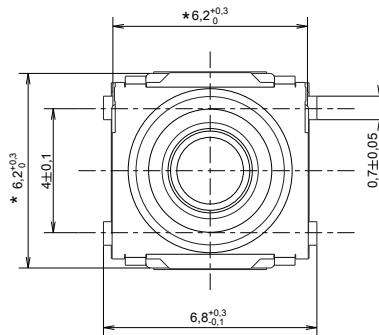
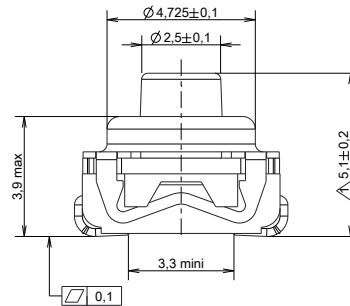
Tactile Switches

Type	Force (N)	Life	Travel (mm)
KSC421J 70SH LFS OF	1.65+/-0.45	300,000	0.5+/-0.25
KSC441J 70SH LFS OF	4.0+/-1.0	300,000	0.65+0.3/-0.2

- Life time is 300,000 cycles at 20N actuation force
- The extended cage can be used as mechanical stop for the activation button
- Overload value reaches 200N (one time)

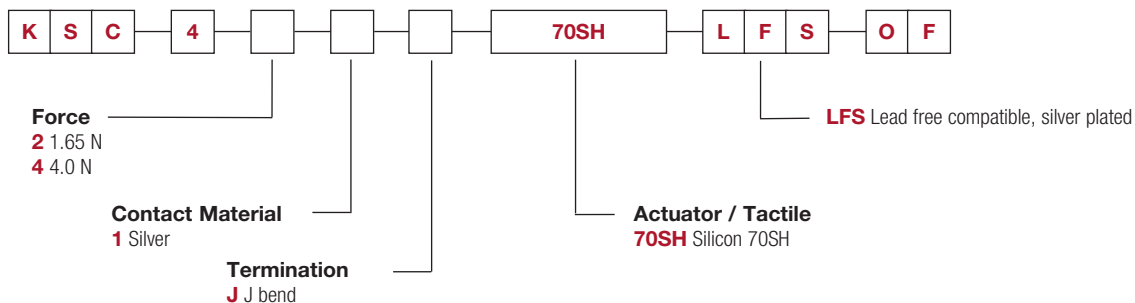
Packaging

In reels of 1,000 pieces
Dimensions of reels according to EIA RS481 or IEC 2863
External diameter 330 ± 2 mm



How To Order

Our easy build-a-switch concept allows you to mix and match options to create the switch you need. To order, select desired option from each category and place it in the appropriate box.
For any part number different from those listed above, please consult your local representative.



NEW

KSC2 TE Series Tireless Endurance Tact Switch



Features/Benefits

- New combination of dome/support
- Silicone actuator
- J terminations
- Tape & reel
- IP67

Typical Applications

- Elevator
- Game controllers/ Drones
- Industrial applications
- Medical applications

Type	Force (N)	Life	Travel (mm)	Electrical Height ON (mm) (from PCB)
KSC2 TE 01J LFS	1.60 ±0.6	10,000,000	0.25 ±0.2	3.25 ±0.2
KSC2 TE 31J LFS	2.80 ±0.7	5,000,000	0.30 ±0.2	3.25 ±0.2
KSC2 TE 41J LFS	4.00 ±1.0	5,000,000	0.35 ±0.2	3.20 ±0.2

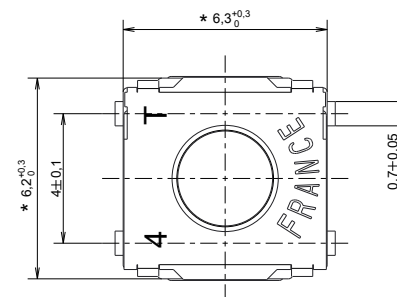
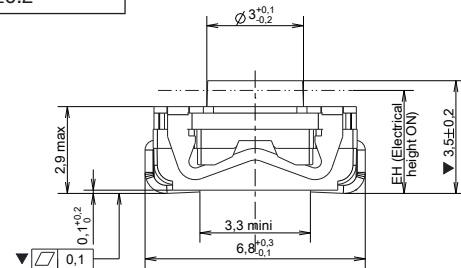
Life time under electrical load (24 V, 1.3 mA)

Packaging

In reels of 2,000 pieces

Dimensions of reels according to EIA RS481 or IEC 2863

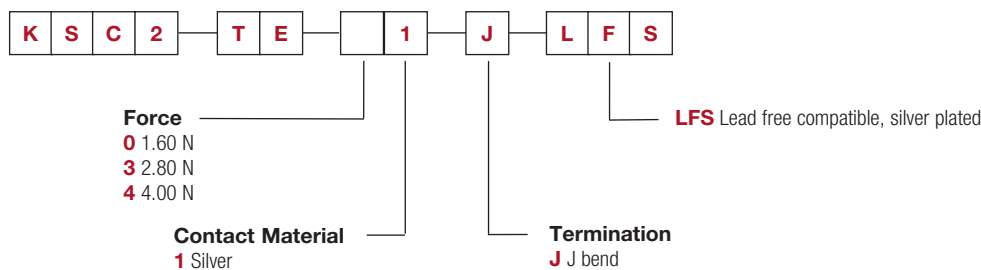
External diameter 330 ± 2 mm



How To Order

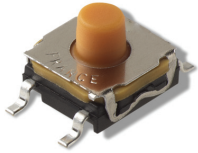
Our easy build-a-switch concept allows you to mix and match options to create the switch you need. To order, select desired option from each category and place it in the appropriate box.

For any part number different from those listed above, please consult your local representative.



NEW

KSC4 TE Series Tireless Endurance Tact Switch



Features/Benefits

- New combination of dome/support
- Silicone actuator
- J terminations
- Tape & reel
- IP67

Typical Applications

- Elevator
- Game controllers/ Drones
- Industrial applications
- Medical applications

B
Tactile Switches

Type	Force (N)	Life	Travel (mm)	Electrical Height ON (mm) (from PCB)
KSC4 TE 01J LFS	1.60 ±0.6	10,000,000	0.25 ±0.2	4.9 ±0.2
KSC4 TE 31J LFS	2.80 ±0.7	5,000,000	0.35 ±0.2	4.8 ±0.2
KSC4 TE 41J LFS	4.00 ±1.0	5,000,000	0.60 ±0.2	4.6 ±0.2

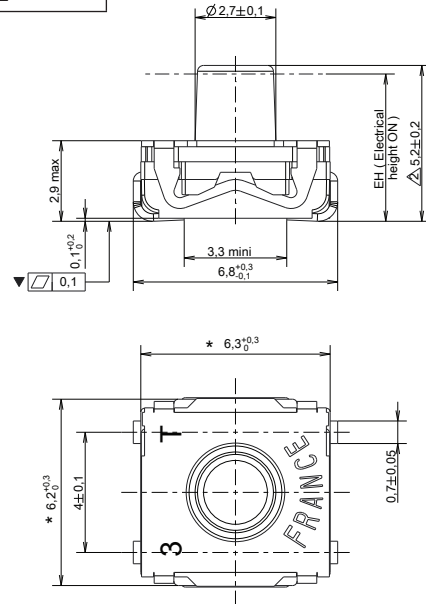
Life time under electrical load (24 V, 1.3 mA)

Packaging

In reels of 1,400 pieces

Dimensions of reels according to EIA RS481 or IEC 2863

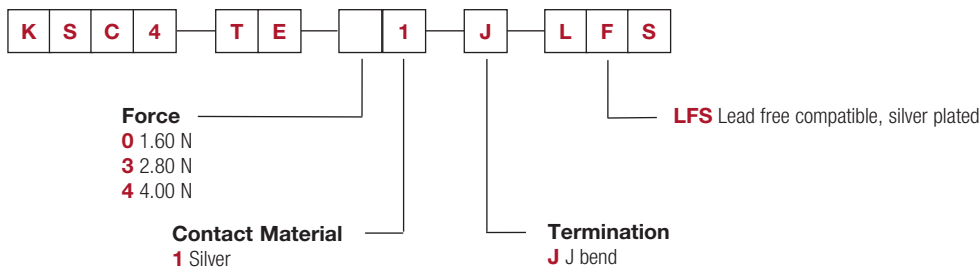
External diameter 380 ± 2 mm



How To Order

Our easy build-a-switch concept allows you to mix and match options to create the switch you need. To order, select desired option from each category and place it in the appropriate box.

For any part number different from those listed above, please consult your local representative.



KSC5 Series Tact Switch with Rocker Option for SMT

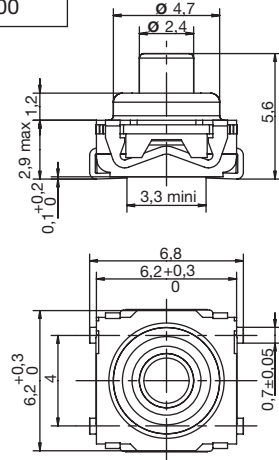
KSC5 hard actuator 5,6 mm high



Type	Operating force axial FA N (grams)	Operating force lateral FL N (grams) ±30%	Travel to make axial (mm)	Travel to make lateral (mm)	Life expectancy cycles, axial	Life expectancy cycles, lateral
KSC521	2 ± 0.5	1.2 - 2.6	0.25 ± 0.15	0.5 ± 0.25	100,000	10,000
KSC541	3 ± 0.75	1.8 - 3.8	0.25 ± 0.15	0.5 ± 0.25	100,000	10,000

Packaging

Switches delivered on continuous tape & reels of 1,000 pieces, dimensions according to EIA RS-481/ IEC 60286-3 standard
External diameter 330 ± 2 mm

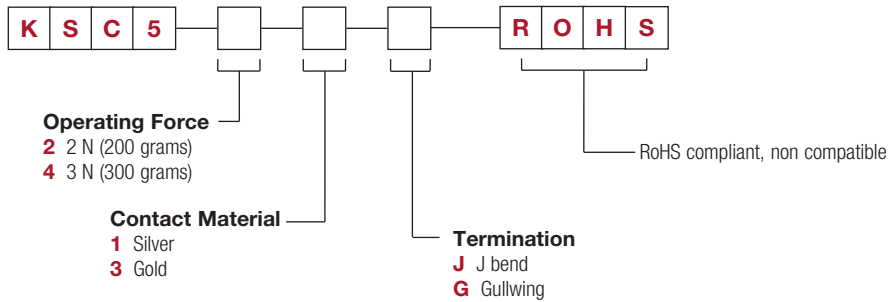


How To Order

Our easy build-a-switch concept allows you to mix and match options to create the switch you need. To order, select desired option from each category and place it in the appropriate box.

However, please note that all the combinations of these options are not feasible.

For any part number different from those listed above, please consult your local representative.



First Angle
Projection

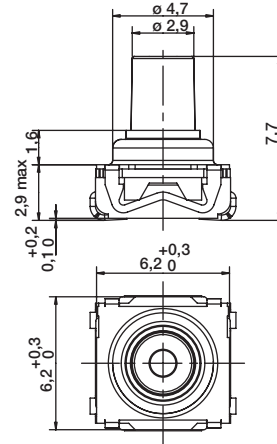
Dimensions are shown: mm
Specifications and dimensions subject to change

KSC6 Series Sealed Tact Switch for SMT

KSC6 hard actuator 7,7 mm high



Type	Operating force FA (Newtons)	Operating life (operations)	Travel (mm)
KSC621	1.7 ± 0.5	300,000	0.4 ± 0.2
KSC631	2.55 ± 0.65	300,000	0.4 ± 0.2
KSC641	3.4 ± 0.85	300,000	0.4 ± 0.2



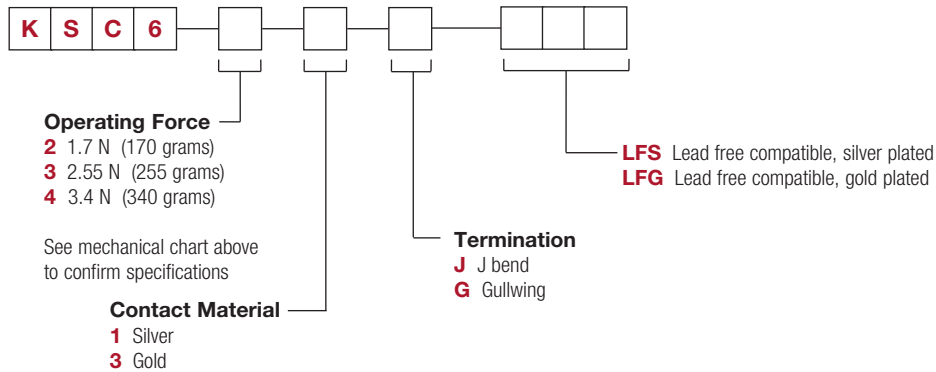
Packaging

Switches delivered on continuous tape & reels of 950 pieces
 Dimensions according to EIA RS-481/ IEC 60286-3 standard
 External diameter 380 ± 2 mm

How To Order

Our easy build-a-switch concept allows you to mix and match options to create the switch you need. To order, select desired option from each category and place it in the appropriate box.

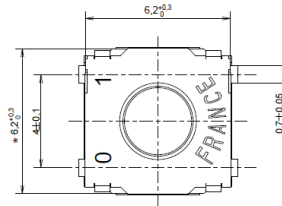
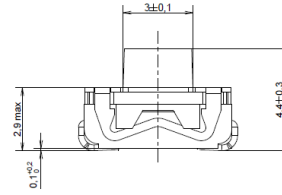
**However, please note that all the combinations of these options are not feasible.
 For any part number different from those listed above, please consult your local representative.**



Dimensions are shown: mm
 Specifications and dimensions subject to change

KSC7 Series Sealed Tact Switch for SMT

KSC7 soft actuator 4,4 mm high



Type	Operating force FA (Newtons)	Operating life (operations)	Travel (mm)
KSC701	1.6 ± 0.6	5,000,000	0.3 ± 0.2
KSC721	2.25 ± 0.55	300,000	0.3 ± 0.15
KSC741	3.9 ± 1	300,000	0.4 ± 0.2

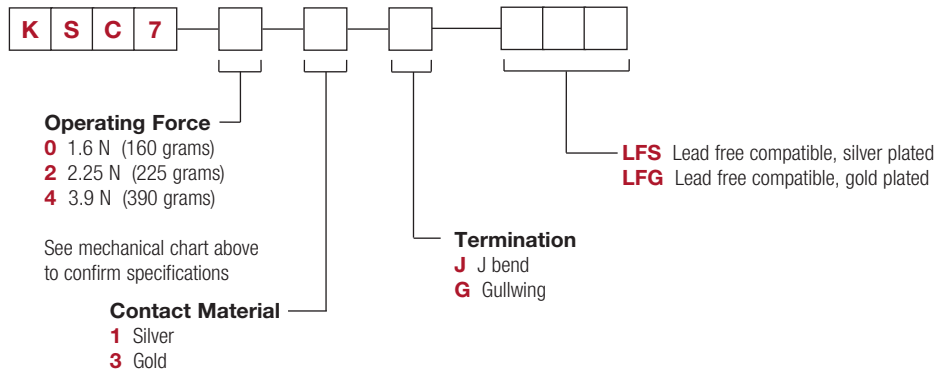
Packaging

Switches delivered on continuous tape & reels of 1,000 pieces
 Dimensions according to EIA RS-481/ IEC 60286-3 standard
 External diameter 330 ± 2 mm

How To Order

Our easy build-a-switch concept allows you to mix and match options to create the switch you need. To order, select desired option from each category and place it in the appropriate box.

**However, please note that all the combinations of these options are not feasible.
 For any part number different from those listed above, please consult your local representative.**

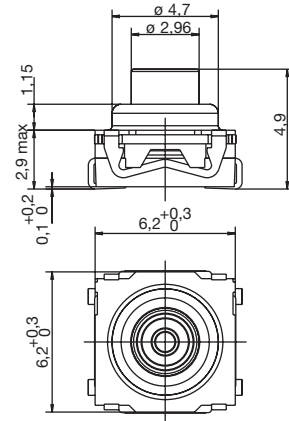


KSC8 Series Sealed Tact Switch for SMT

KSC8 hard actuator 4,9 mm high



Type	Operating force FA (Newtons)	Operating life (operations)	Travel (mm)
KSC821	3.15 ± 0.75	300,000	0.65 ± 0.2
KSC821 OL	1.7 ± 0.5	300,000	0.4 ± 0.2
KSC831 OL	2.55 ± 0.65	300,000	0.4 ± 0.2
KSC841 OL	3.4 ± 0.85	300,000	0.4 ± 0.2



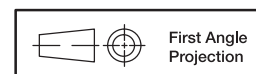
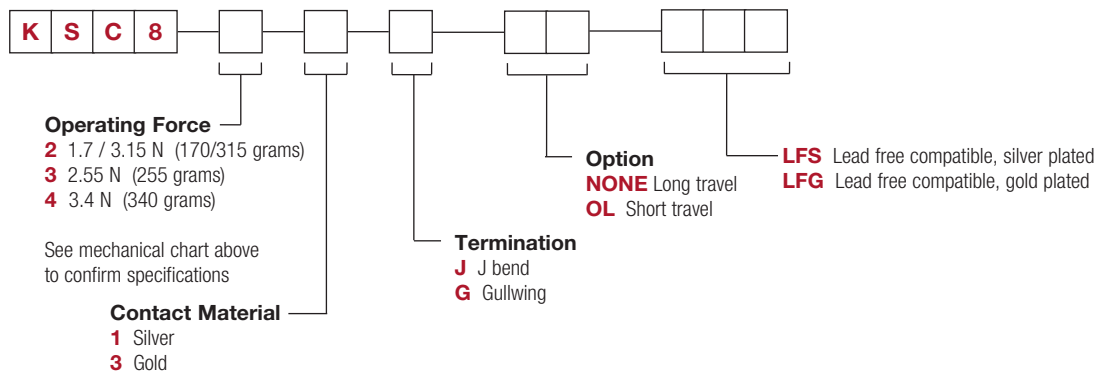
Packaging

Switches delivered on continuous tape & reels of 1,000 pieces
 Dimensions according to EIA RS-481/ IEC 60286-3 standard
 External diameter 330 ± 2 mm

How To Order

Our easy build-a-switch concept allows you to mix and match options to create the switch you need. To order, select desired option from each category and place it in the appropriate box.

However, please note that all the combinations of these options are not feasible.
 For any part number different from those listed above, please consult your local representative.



Dimensions are shown: mm
 Specifications and dimensions subject to change

KSC9 Series Sealed Tact Switches for SMT

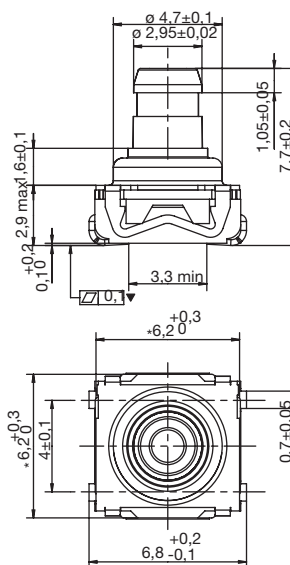
KSC9 hard actuator 7,7 mm high



Type	Operating force FA (Newtons)	Operating life (operations)	Travel (mm)
KSC921	1.7 ± 0.5	300,000	0.4 ± 0.2
KSC931	2.25 ± 0.65	300,000	0.4 ± 0.2
KSC941	3.4 ± 0.85	300,000	0.4 ± 0.2

Packaging

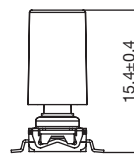
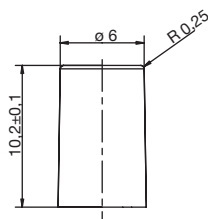
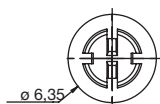
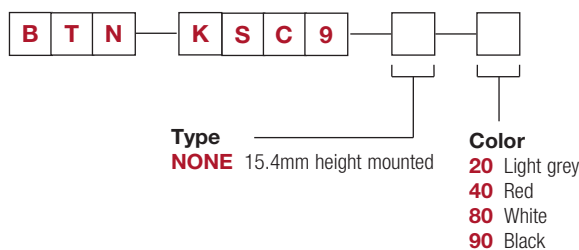
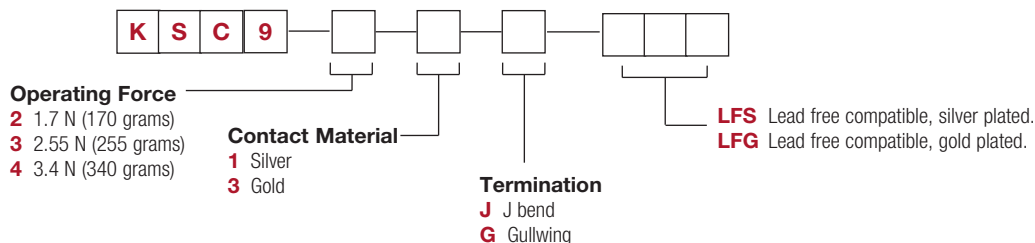
Switches delivered on continuous tape & reels of 950 pieces
 Dimensions according to EIA RS-481/ IEC 60286-3 standard
 External diameter 380 ± 2 mm



How To Order

Our easy build-a-switch concept allows you to mix and match options to create the switch you need. To order, select desired option from each category and place it in the appropriate box.

For any part number different from those listed above, please consult your local representative.



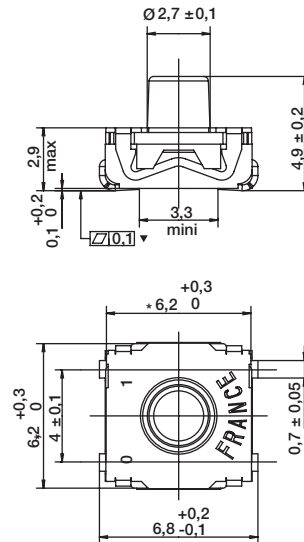
SWITCH WITH CAP



Dimensions are shown: mm
 Specifications and dimensions subject to change

KSC10 Series Sealed Tact Switches for SMT

KSC10 soft actuator 4,9 mm high



Type	Operating force FA (Newtons)	Operating life (operations)	Travel (mm)
KSC1001	1.45 ± 0.55	5,000,000	0.45 ± 0.25

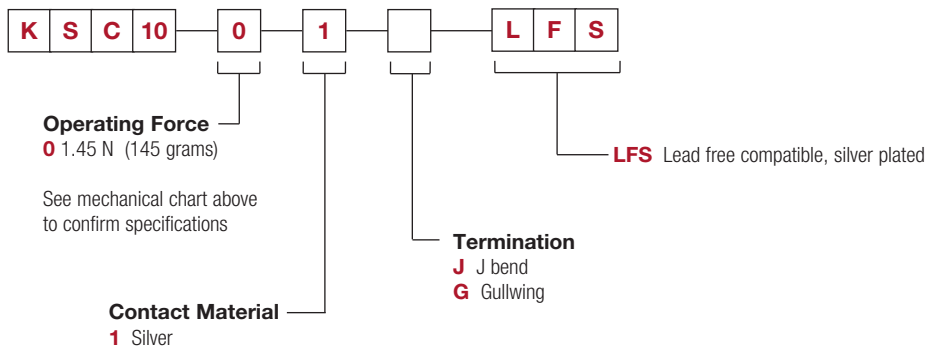
Packaging

Switches delivered on continuous tape & reels of 1,000 pieces
 Dimensions according to EIA RS-481/ IEC 60286-3 standard
 External diameter 330 ± 2 mm

How To Order

Our easy build-a-switch concept allows you to mix and match options to create the switch you need. To order, select desired option from each category and place it in the appropriate box.

**However, please note that all the combinations of these options are not feasible.
 For any part number different from those listed above, please consult your local representative.**



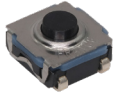
Note: KSC10 offered with yellow actuator as standard, hardness 55 Shore



Dimensions are shown: mm
 Specifications and dimensions subject to change

NEW

KSC11 Series Sealed Tact Switch for SMT



Features/Benefits

- **Hard actuator**
- **Long life**
- **Positive tactile feeling**
- **IP67 sealed**
- **SMT**

Typical Applications

- **Gaming/ Drones**
- **Industrial**
- **Medical**
- **High-end consumer**
- **Avionics**

Specification

FUNCTION: Normally open
 CONTACT TYPE: SPST NO
 TERMINALS: J bend for SMT
 CONTACT MATERIAL: Silver plated

Environmental

OPERATING TEMPERATURE: -40°C to 85°C

Mechanical

Type	Force (N)	Life	Travel (mm)
KSC1101J LFS	1.60 ±0.4	3,000,000	0.20 ±0.1
KSC1131J LFS	3.20 ±0.6	2,000,000	0.25 ±0.15
KSC1151J LFS	5.00 ±1.0	1,000,000	0.40 ±0.15

Electrical

MAXIMUM POWER: 1 VA
 MIN. / MAX. VOLTAGE: 0.02V / 32V
 MIN. / MAX. CURRENT: 1 mA / 50 mA
 DIELECTRIC STRENGTH: 250 Vrms
 CONTACT RESISTANCE: ≤ 100 mΩ
 INSULATION RESISTANCE: (100V): 1000 MΩ
 BOUNCE TIME: ≤ 5 ms

Soldering

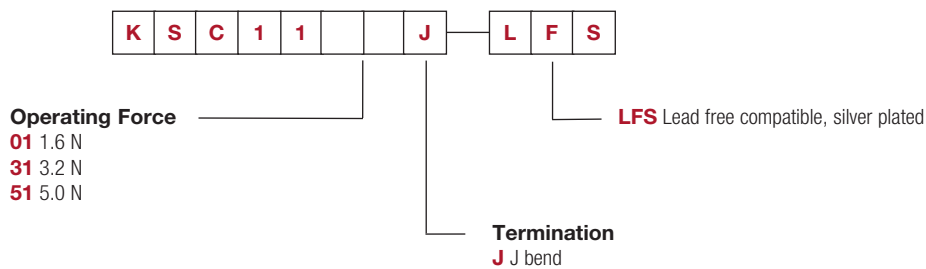
This component is suited to the following methods:
 – Cleaning according to typical washing processes
 – Lead free reflow soldering process in accordance with IEC 61760-1

Packaging

In reels of 1,700 pieces
 Width of carrier tape: 16 mm
 Dimensions of reels: 380 mm

How To Order

Our easy build-a-switch concept allows you to mix and match options to create the switch you need. To order, select desired option from each category and place it in the appropriate box.
 For any part number different from those listed above, please consult your local representative.

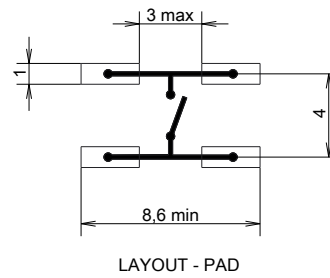
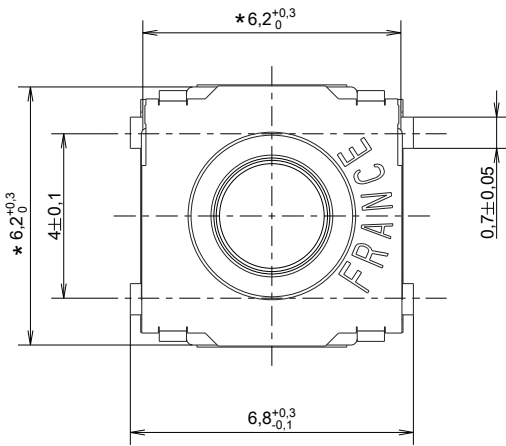
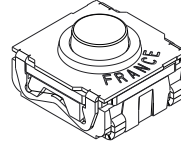
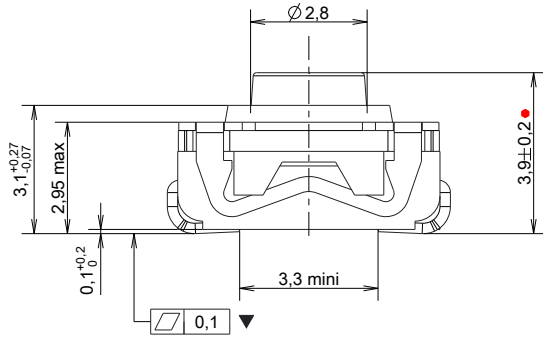


KSC11 Series Sealed Tact Switch for SMT

NEW

Tactile Switches

B



Dimensions are shown: mm
Specifications and dimensions subject to change



X-ON Electronics

Largest Supplier of Electrical and Electronic Components

Click to view similar products for [Tactile Switches](#) category:

Click to view products by [C&K](#) manufacturer:

Other Similar products are found below :

[6407-250V-25273P](#) [ADTSA62NV](#) [B3F-3123](#) [1977177-8](#) [1977266-1](#) [ADTSA63NV](#) [ADTSM21NSVTR](#) [ADTSM25RVTR](#) [ADTSM32NVTR](#)
[ADTSMW64RV](#) [1977120-6](#) [FSMRA4JHA04](#) [GS4.70F300QP](#) [KSC241J SP DELTA LFS](#) [3FTL600RAS](#) [3FTL640RAS](#) [Y96K132V0FPLFS](#)
[09158](#) [6407-250V-25343P](#) [ADTSM31NVTR](#) [2-1977120-7](#) [TSJW-5.2-260-TR](#) [TME1-01-Z](#) [Y651050400P](#) [KMT011MNGJLHS](#)
[ADTSG648NV](#) [ADTSM62KSVTR](#) [MJTP1138DTR](#) [ADTSM648NV](#) [95C06E3RAT](#) [3ATH9Q](#) [FSMRA8JHA04](#) [HARS0073](#)
[Y33R411N9FPLFT](#) [Y33R51139FPLFT](#) [Y31C01402FPLFS](#) [PTS645SK50SMTR92](#) [ADTSM32NVB](#) [KMS233GPWTFLFG](#) [Y78B64124FP](#)
[Y33A812C5FP LFT](#) [Y56B2D120FP LFS](#) [PTS645 DVM83-BN125-2 LFS](#) [B3W 1000G](#) [B3F 1002C](#) [B3F 0047H](#) [B3W 1002C](#) [B3F 5001G](#)
[B3W 1100C](#) [1-1571563-4](#)