

KSC SLT Series Long Travel Tact Switch

Features/Benefits

- Long travel
- Soft sound
- IP40
- J & G terminations
- Tape & reel

Typical Applications

- Automotive interior
- Front panel
- Instrumentation



Specification

FUNCTION: Momentary
CONTACT ARRANGEMENT: 1 make contact = SPST, N.O.
TERMINALS: J bend & Gullwing type for SMT

Mechanical

MAXIMUM APPLIED FORCE: 40N
* VALID ONE TIME. MAXIMUM ALLOWED TRAVEL TO AVOID OVERLOAD ISSUES IS 1.70MM.

Type	Force (N)	Life (cycles)	Travel (mm)
KSC SLT 221J LFS	2.4 +/- 0.7	200,000	1.35 +/-0.25
KSC SLT 221G LFS	2.4 +/- 0.7	200,000	1.35 +/-0.25
KSC SLT 223J LFG	2.4 +/- 0.7	200,000	1.35 +/-0.25
KSC SLT 223G LFG	2.4 +/- 0.7	200,000	1.35 +/-0.25
KSC SLT 241J LFS	3.5 +/- 0.9	200,000	1.35 +/-0.25
KSC SLT 241G LFS	3.5 +/- 0.9	200,000	1.35 +/-0.25
KSC SLT 243J LFG	3.5 +/- 0.9	200,000	1.35 +/-0.25
KSC SLT 243G LFG	3.5 +/- 0.9	200,000	1.35 +/-0.25

Electrical

	Silver	Gold
SWITCHING POWER MAX.:	1.0 VA	0.2 VA
MAXIMUM POWER:	1.0 VA	0.2 VA
MAXIMUM VOLTAGE:	32 VDC	32 VDC
MINIMUM VOLTAGE:	20 mV	20 mV
MAXIMUM CURRENT:	50 mA	10 mA
MINIMUM CURRENT:	1 mA	1 mA

DIELECTRIC STRENGTH: ≥ 250 Vrms
CONTACT RESISTANCE: < 100 m Ω
INSULATION RESISTANCE: Initial measurement: ≥ 1 G Ω
After damp heat: ≥ 10 M Ω
BOUNCE TIME: < 5 ms

Environmental

OPERATING TEMPERATURE: -40°C to +85°C (Silver)
-40°C to +125°C (Gold)
STORAGE TEMPERATURE: -40°C to +85°C (Silver)
-40°C to +125°C (Gold)

Process

Compatible with the lead free reflow soldering process.

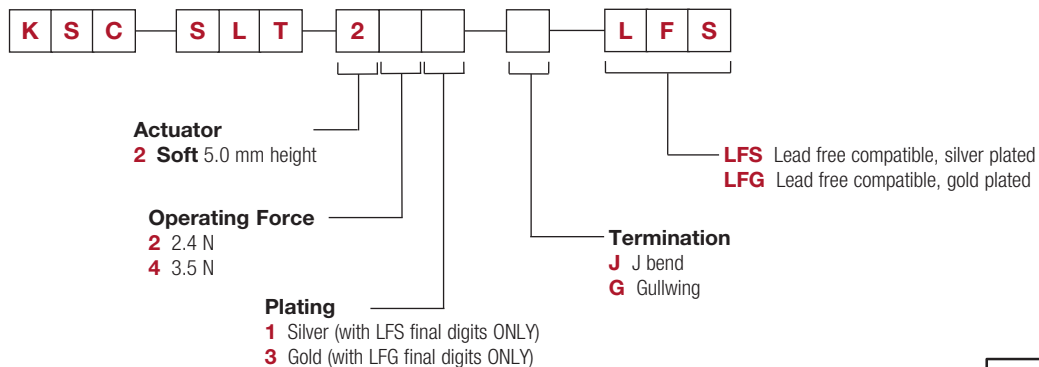
Packaging

In reels of 1,000 pieces.
Dimensions of reels according to EIA RS481 or IEC 2863.
External diameter 330 mm \pm 2 mm.

How To Order

Our easy build-a-switch concept allows you to mix and match options to create the switch you need. To order, select desired option from each category and place it in the appropriate box.

For any part number different from those listed above, please consult your local representative.

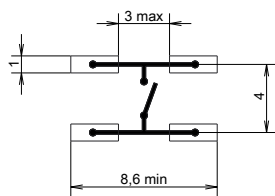
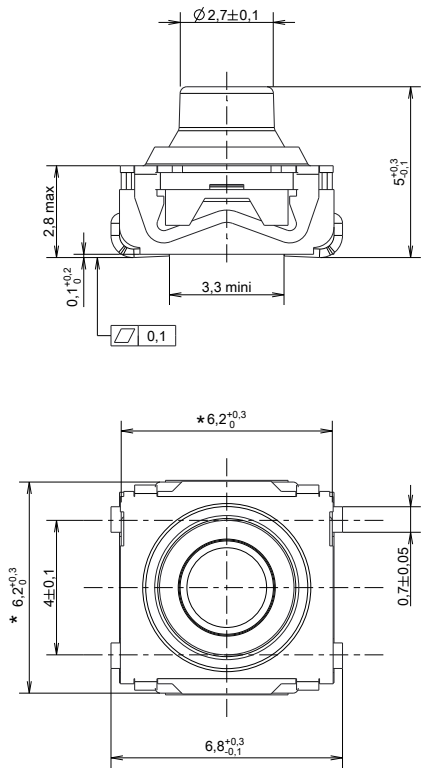


Dimensions are shown: mm

Specifications and dimensions subject to change

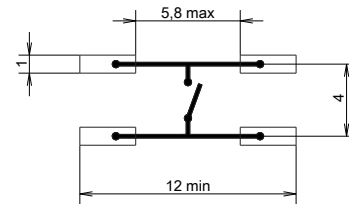
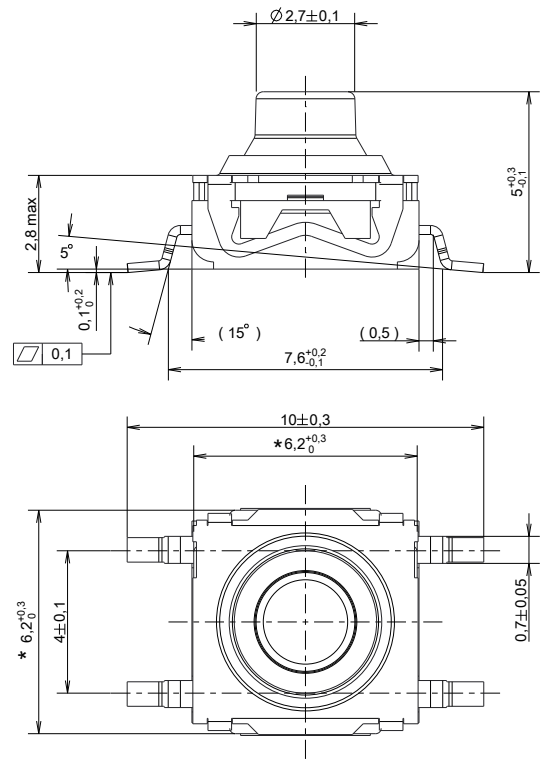
KSC SLT Series Long Travel Tact Switch

J J Bend



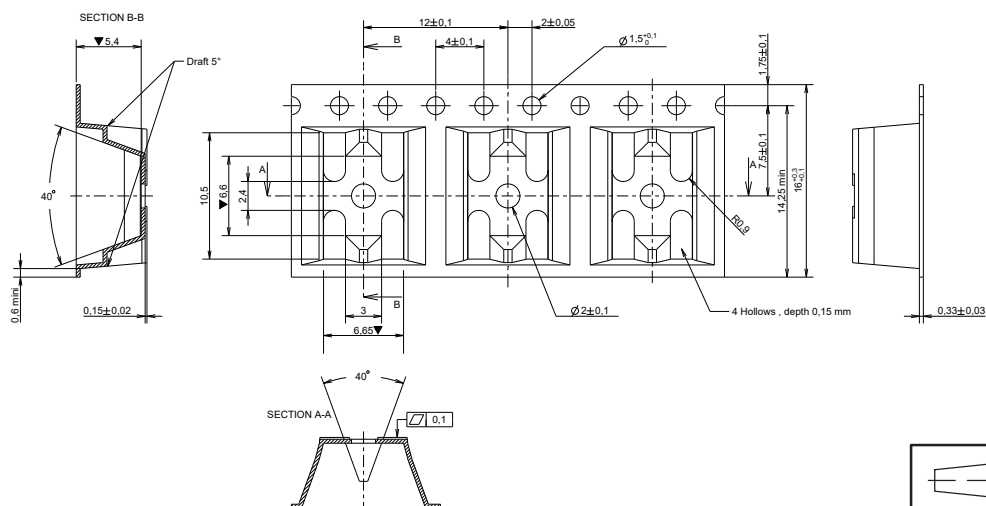
LAYOUT - PAD
SCALE : 5

G Gullwing



LAYOUT - PAD
SCALE : 5

TAPE & REEL



First Angle
Projection

Dimensions are shown: mm
Specifications and dimensions subject to change

X-ON Electronics

Largest Supplier of Electrical and Electronic Components

Click to view similar products for [Tactile Switches](#) category:

Click to view products by [C&K](#) manufacturer:

Other Similar products are found below :

[5GTH92001](#) [1-1977120-4](#) [ADTSA62NV](#) [ADTSA62RV](#) [ADTSA63KV](#) [ADTSA644NV](#) [ADTSMW66NV](#) [ADTSMW67RV](#) [B3F-3123](#) [B3F-6055A](#) [B3F-B32-01-KIT](#) [1977177-8](#) [1977266-1](#) [ADTS644KV](#) [ADTSA61RV](#) [ADTSA62KV](#) [ADTSA63NV](#) [ADTSA63RV](#) [ADTSM21NSVTR](#) [ADTSM32NVTR](#) [ADTSM63SVTR](#) [ADTSM644KVTR](#) [ADTSMW64RV](#) [ADTSMW69NV](#) [FSMRA4JHA04](#) [GS4.70F300QP](#) [3ESH9R](#) [506E00201](#) [MJTP1164TR](#) [3FTL600RAS](#) [3FTL640RAS](#) [Y96K132V0FPLFS](#) [101-TS5022T1601-EV](#) [5GSH92001](#) [KSJ0A231](#) [80SH LFG](#) [ADTSM31NVTR](#) [EVQ-P1D05K](#) [MJTP1162TR](#) [ADTSM63KV](#) [2-1977120-7](#) [TSJW-5.2-260-TR](#) [KMT011MNGJLHS](#) [B3WN6002S](#) [ADTSA648RV](#) [70-201.0](#) [ADTSG648NV](#) [ADTSM62KSVTR](#) [ATA600VTR](#) [ADTSG66RV](#) [ADTS61NV](#)