

# KSU Series

## Micro Mini Surface Mount Detect Switches



### Features/Benefits

- New multi contact construction
- Metal actuator
- Low actuating force
- RoHS compliant and compatible

### Typical Applications

- Mobile phones and other handheld devices
- Portable medical devices
- Audio devices
- Alarm devices
- Payment terminals
- Smart meters

### Specifications

FUNCTION: Momentary action.  
 CONTACT TYPE: SPST Normally open.  
 TERMINALS: Gullwing type for SMT.

### Mechanical

SWITCHING FORCE: 0,7 ± 0,5 N  
 TRAVEL TO MAKE: 0,65 mm - 0,45/+0,25 mm  
 MECHANICAL TRAVEL: 1,5 ± 0,2 mm  
 OPERATING LIFE: 100,000 cycles

### Packaging

Switches are delivered on continuous tape, in reels of 1,000 pieces

### Electrical

	GOLD	SILVER
MAXIMUM POWER:	0.2 VA	0.1 VA
MAXIMUM VOLTAGE:	32 VDC	32 VDC
MINIMUM VOLTAGE:	20 mV	20 mV
MAXIMUM CURRENT:	10 mA	50 mA
MINIMUM CURRENT:	0.01 mA	1 mA
CONTACT RESISTANCE:	≤100 mΩ	
INSULATION RESISTANCE:	(100 VDC) 10 <sup>9</sup> Ω	
DIELECTRIC STRENGTH:	≥ 250 Vrms	
BOUNCE TIME:	≤ 3 ms	

### Environmental

OPERATING TEMPERATURE: -40°C to +125°C    -40°C to +85°C  
 STORAGE TEMPERATURE: -55°C to + 125°C    -40°C to +85°C

### Process

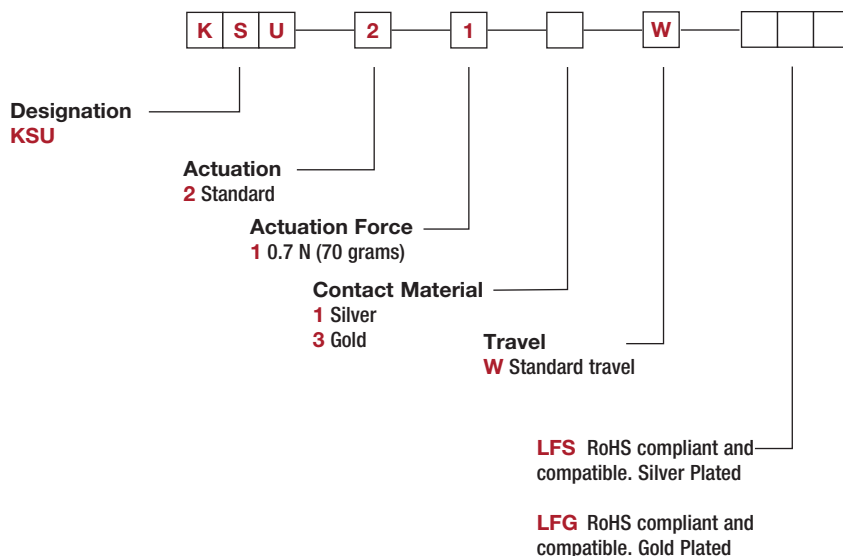
SOLDERING: Compatible with lead free reflow process

**NOTE:** Specifications listed above are for switches with standard options.  
 For information on specific and custom switches, consult Customer Service Center.

### How To Order

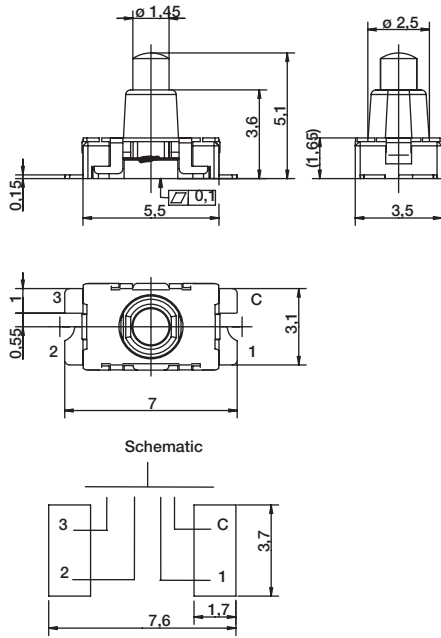
Our easy build-a-switch concept allows you to mix and match options to create the switch you need. To order, select desired option from each category and place it in the appropriate box.

For any part number different from those listed above, please consult your local representative.

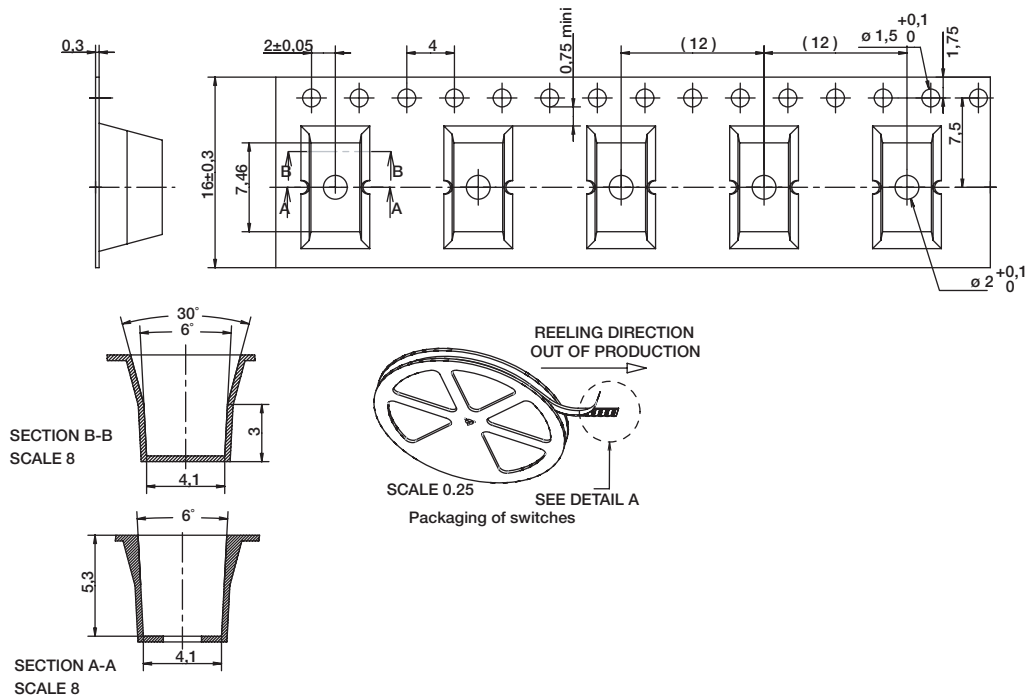


Detect

# KSU Series Micro Mini Surface Mount Detect Switches



## TAPE & REEL



Detect



First Angle  
Projection

Dimensions are shown: mm  
Specifications and dimensions subject to change

## X-ON Electronics

Largest Supplier of Electrical and Electronic Components

*Click to view similar products for [Detector Switches](#) category:*

*Click to view products by [C&K](#) manufacturer:*

Other Similar products are found below :

[E3S-LS5C4S](#) [SPVQ850300](#) [21075-6](#) [SPVQ860100](#) [K2CU-F20A-F AC220](#) [D3DM0005H](#) [D3DM0001E](#) [D3DM0003A](#) [HARB0012](#) [PP2-7H1-2D2](#) [PP1-FB7-2D2](#) [PP2-7U1-2B2](#) [PP1-ET7-2B2](#) [MR1000AWA](#) [MR1000BWA](#) [ESE-31R11T](#) [ESE-23F101](#) [ESE-13V01D](#) [ESE-13V01C](#) [ESE-13V01A](#) [ESE-13H01B](#) [ESE-11MH1T](#) [ESE-11MH2T](#) [ESE-11MV1](#) [ESE-31L11T](#) [HDS001R](#) [SPVL110102](#) [ESE-11MV1T](#) [ESE-13V01B](#) [ESE-23J101](#) [SPPW811200](#) [ESE-58R61B](#) [SPVQ361300](#) [ESE-58R11B](#) [SPVT210201](#) [SPVL120101](#) [ESE-24CMV9T](#) [DS080](#) [DS0900502RP](#) [T0-SCB22MP1NC1](#) [T0-SCB22MP1NSX](#) [ESE-13H01A](#) [ESE-13H01C](#) [ESE-13H01D](#) [ESE-18R63D](#) [ESE-24CMH6T](#) [SPVN210101](#) [SPPB110300](#) [SPPB120200](#) [SPPB1A0100](#)