

# KXT2 Series

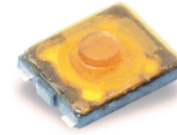
## Double Action Ultra Low Profile Top Actuated

### Features

- 3.9 x 3.0 mm footprint
- 1.05 mm thickness
- Dual action

### Typical Applications

- Wearable electronics
- Mobile Phones
- Portable Electronics



Tactile Switches

B

### Specification

FUNCTION: momentary action  
 CONTACT ARRANGEMENT: Dual action = SPDT, N.O.  
 TERMINALS: G type for SMT  
 TRAVEL: 0.1 mm ± 0.05 mm  
 TRAVEL: 0.2 mm + 0.1 / - 0.05 mm

### Mechanical

	Operating force gf		Operating Life
KXT 211 LHS	Push force 1	100 ± 40	100,000
	Push force 2	200 ± 50	

### Electrical

MAXIMUM VOLTAGE: 12 VDC  
 MAXIMUM CURRENT DC: 50 mA  
 DIELECTRIC STRENGTH: 250 V (50 Hz, 1 min.)  
 CONTACT RESISTANCE: ≤ 500 mΩ  
 INSULATION RESISTANCE: 100 MΩ  
 BOUNCE TIME: ≤ 10 ms

### Environmental

OPERATING TEMPERATURE: -40°C to 85°C  
 STORAGE TEMPERATURE: -40°C to 85°C

### Process

SOLDERING: This component is suited to the following methods:  
 Infrared Reflow Soldering in accordance with IEC61760-1

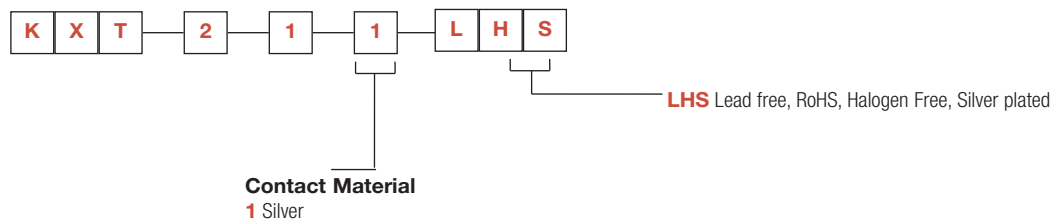
### Packaging

In reels of 6,000 pieces  
 Dimensions of reels according to EIA RS481 or IEC 2863  
 External diameter 178 mm ± 2mm

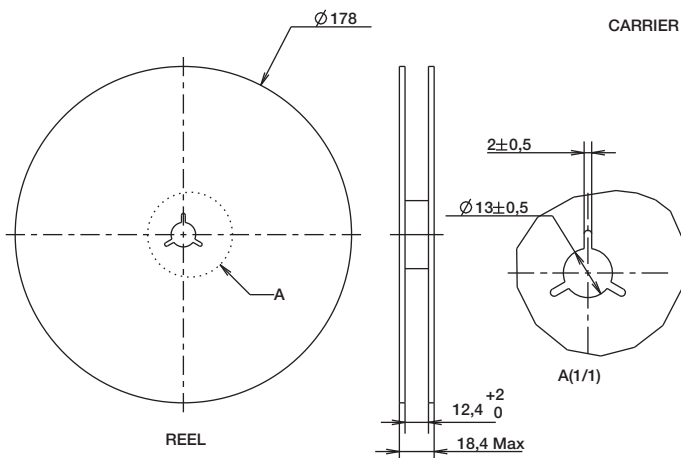
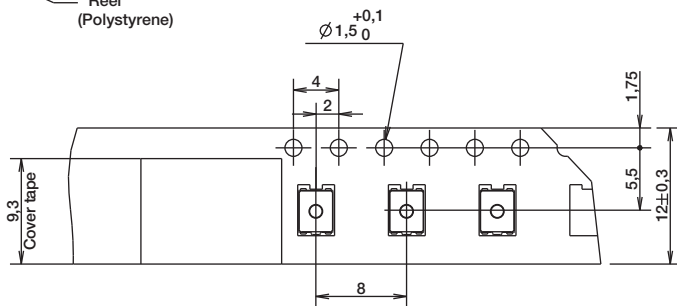
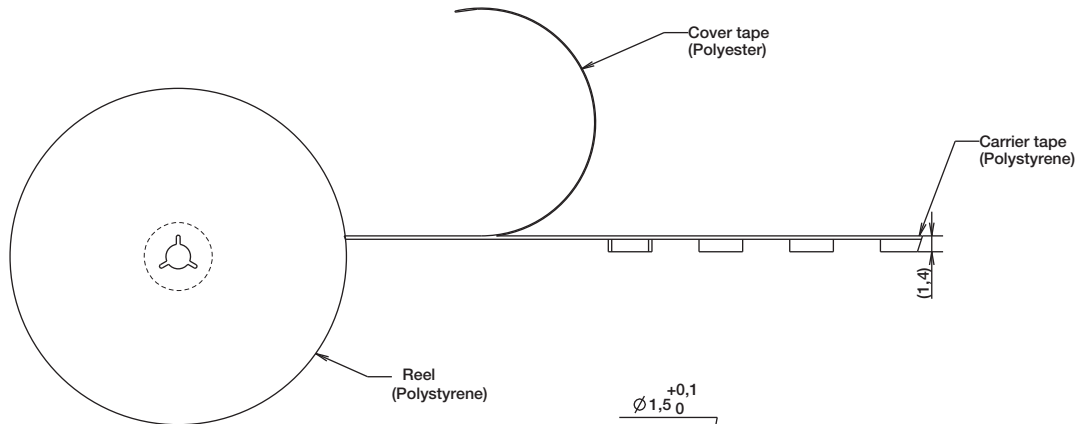
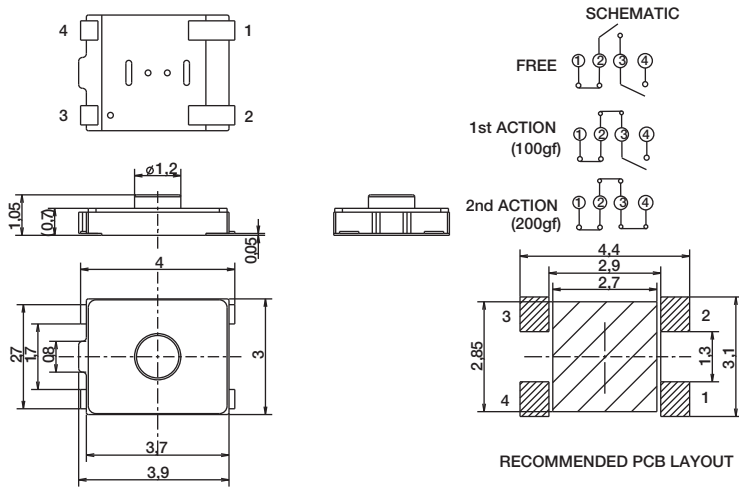
**NOTE:** Specifications listed above are for switches with standard options.  
 For information on specific and custom switches, consult Customer Service Center.

### Part Number Description

For any part number different from those listed above, please consult your local representative.



# KXT2 Series Double Action Ultra Low Profile Top Actuated



Dimensions are shown: mm  
Specifications and dimensions subject to change

## X-ON Electronics

Largest Supplier of Electrical and Electronic Components

*Click to view similar products for [Tactile Switches](#) category:*

*Click to view products by [C&K](#) manufacturer:*

Other Similar products are found below :

[5GTH92001](#) [1-1977120-4](#) [ADTSA62NV](#) [ADTSA62RV](#) [ADTSA63KV](#) [ADTSA644NV](#) [ADTSMW66NV](#) [ADTSMW67RV](#) [B3F-3123](#) [B3F-6055A](#) [B3F-B32-01-KIT](#) [1977177-8](#) [1977266-1](#) [ADTS644KV](#) [ADTSA61RV](#) [ADTSA62KV](#) [ADTSA63NV](#) [ADTSA63RV](#) [ADTSM21NSVTR](#) [ADTSM32NVTR](#) [ADTSM63SVTR](#) [ADTSM644KVTR](#) [ADTSMW64RV](#) [ADTSMW69NV](#) [FSMRA4JHA04](#) [GS4.70F300QP](#) [3ESH9R](#) [506E00201](#) [MJTP1164TR](#) [3FTL600RAS](#) [3FTL640RAS](#) [Y96K132V0FPLFS](#) [101-TS5022T1601-EV](#) [5GSH92001](#) [KSJ0A231](#) [80SH LFG](#) [ADTSM31NVTR](#) [EVQ-P1D05K](#) [MJTP1162TR](#) [ADTSM63KV](#) [2-1977120-7](#) [TSJW-5.2-260-TR](#) [KMT011MNGJLHS](#) [B3WN6002S](#) [ADTSA648RV](#) [70-201.0](#) [ADTSG648NV](#) [ADTSM62KSVTR](#) [ATA600VTR](#) [ADTSG66RV](#) [ADTS61NV](#)