

# LCA Series Small Size Snap-acting Switches



## Features/Benefits

- Compact design
- Long life and high electrical capacity
- Quick connect, solder terminals, PC terminals
- Wide variety of actuator styles
- RoHS compatible

## Typical Applications

- Motorized equipment
- Sump pump
- Thermostatic controls
- Automotive: door latch, seat position detection, EV charging

UL61058-1



## Specifications

CONTACT RATING: From low level to 10.1 AMPS @ 125/250 V AC  
 ELECTRICAL LIFE: 0.1A @ 125/250VAC up to 1M cycles  
 6A & 10A @ 125/250VAC 10k cycles  
 5A @ 125/250VAC 100k cycles  
 INSULATION RESISTANCE: 100 M ohm min.  
 DIELECTRIC STRENGTH: 1,500 Vrms min. @ sea level.  
 OPERATING TEMPERATURE: -40°C to +125°C  
 OPERATING FORCE: 150 grams at actuator button MAX.  
 Forces are less at free end of lever actuators; (see ACTUATOR'S option sections).  
 MOUNTING: 2-56 screws, torque 2.3 in/lbs max.

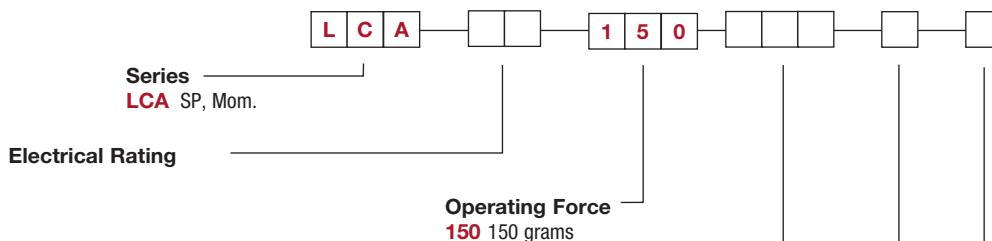
## Materials

SWITCH HOUSING: Thermoplastic polyester  
 ACTUATOR BUTTON: Thermoplastic polyester.  
 SPRING: Copper alloy.  
 PIVOT: Copper alloy.  
 MOVABLE CONTACTS: Silver alloy  
 STATIONARY CONTACTS: Silver alloy  
 TERMINALS: Copper alloy.  
 ACTUATOR LEVER: Stainless steel.

**NOTE:** Specifications and materials listed above are for switches with standard options. For information on specific and custom switches, consult Customer Service center.

## Build-A-Switch

To order, simply select desired option from each category and place in the appropriate box. For additional options not shown in catalog, consult Customer Service Center.



Option Code	UL 1054	UL 61058-1	UL 4
01	0.1 A 125/250 V AC 1E4	0.1 A 125/250 V AC 1E4	0.1 A 125/250 V AC 1E4
06	6 A 125/250 V AC 1E4	6 A 125/250 V AC 1E4	6 (2)A 125/250 V AC 1E4
10	10.1 A 125/250 V AC 1E4	10.1 A 125/250 V AC 1E4	10.1 A 125/250 V AC 1E4
S5	NA	5 A 125/250 V AC 1E5	NA

### Actuator

- P00 Pin plunger
- T05 4.8 mm short lever
- T06 6.8 mm lever
- T09 8.8 mm lever
- T12 12.9 mm lever
- T16 15.2 mm lever
- T18 18.1 mm lever
- T21 20.1 mm lever
- T23 23.4 mm lever
- T43 43.5 mm lever
- S06 6.0 mm simulated lever
- S09 9.2 mm simulated lever
- A05 5.0 mm lever roller

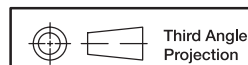
### Terminations

- S Solder
- Q .110 Quick Connect
- P PC Thru Hole
- L Left Form PC
- R Right Form PC

### Circuitry

- C SPDT
- W SPST N.C.
- Y SPST N.O.

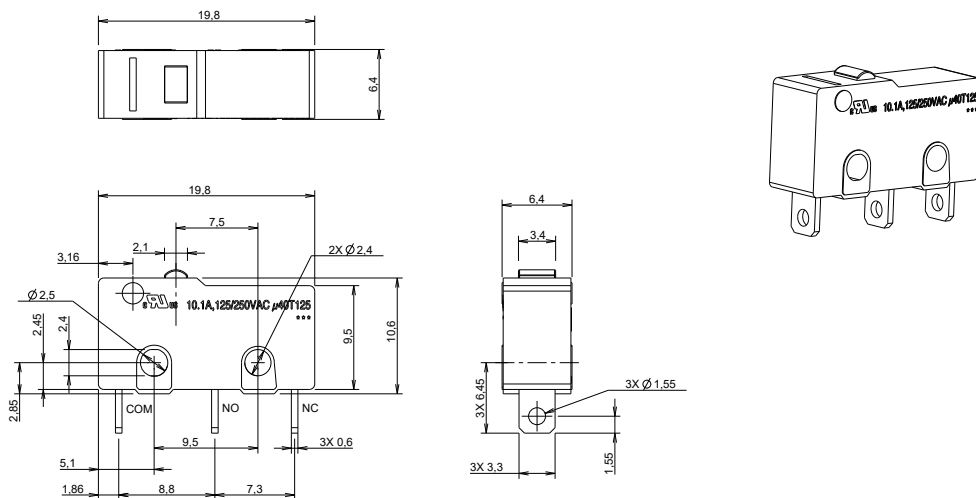
Snap-acting



# LCA Series Small Size Snap-acting Switches

## SERIES

### LCA



## ELECTRICAL RATING

RoHS COMPLIANT *	RoHS COMPATIBLE *	OPTION CODE	ELECTRICAL RATING
YES	YES	<b>01</b>	0.1A, 125/250 VAC
YES	YES	<b>06</b>	6A, 125/250 VAC
YES	YES	<b>10</b>	10.1A, 125/250 VAC
YES	YES	<b>S5</b>	5A, 125/250 VAC

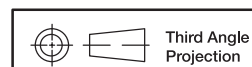
\* Note: See Technical Data section of this catalog for RoHS compliant and compatible definition and specifications.

## OPERATING FORCE

OPTION CODE	OPERATING FORCES (grams)
<b>150</b>	150 grams max.



Snap-acting



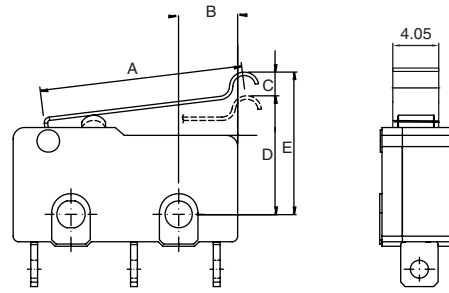
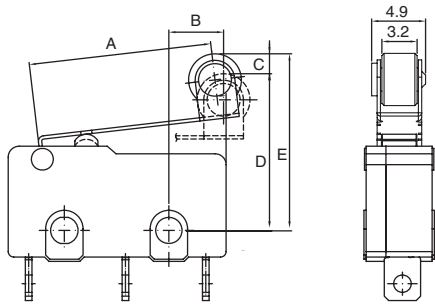
Third Angle  
Projection  
Dimensions are shown: mm  
Specifications and dimensions subject to change

# LCA Series Small Size Snap-acting Switches

## ACTUATOR

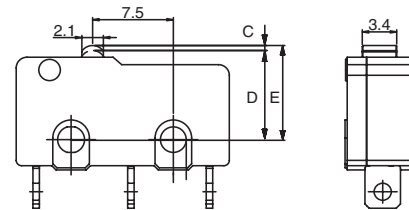
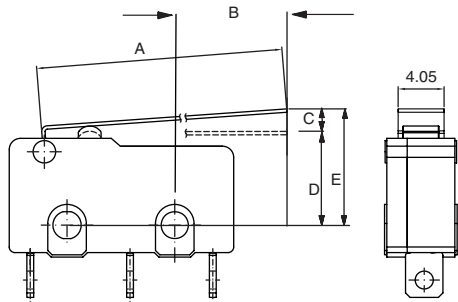
**A05** LEVER ROLLER

**SXX** SIMULATED ROLLER



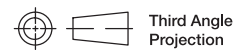
**TXX** LEVER

**P00**



Snap-acting

ACTUATOR OPTION CODE	A (mm)	B REF (mm)	C (mm)	D (mm)	E (mm)	DIFF. MOTION mm MAX	OPER. FORCE grams MAX	RELEASED FORCE Grams MAX	OVER TRAVEL MIN
	LENGTH OF LEVER	LEVER LENGTH MTG. HOLE TO OP	PRE- TRAVEL MAX	OPERATING POSITION	FREE POSITION MAX				
P00	N/A	N/A	1.1	8.5±0.3	9.3	0.20	150	25	0.40
T05	16.70	4.80	3.60	8.95±0.8	11.75	0.80	50	6	0.60
T06	18.70	6.80	4.03	8.9±0.9	12.09	0.90	45	5	0.67
T09	20.60	8.80	5.64	9.15±1.35	13.45	1.83	33	2	0.75
T12	24.80	12.90	3.35	8.95±1.9	13.1	1.17	34	2	0.89
T16	27.10	15.20	7.20	9.15±1.7	15.15	1.30	40	1	0.70
T18	30.00	18.28	7.70	8.95±1.9	14.65	1.50	32	1	1.20
T21	32.00	20.10	8.00	8.15±1.85	15.55	1.60	35	1	1.00
T23	35.20	23.40	8.60	8.95±2.0	15.55	1.80	25	1	1.50
T36	47.60	35.90	N/A	N/A	N/A	N/A	N/A	N/A	N/A
T43	55.20	43.50	10.45	8.95±3.0	19.25	2.90	15	1	1.00
S06	17.90	6.00	3.86	10.85±0.9	17.81	0.86	47	5	0.64
S09	21.10	9.00	5.70	16.15±1.5	20.35	1.00	42	2	1.00
A05	16.00	5.00	3.80	14.65±0.8	17.65	0.80	50	6	0.60



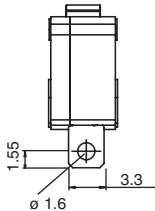
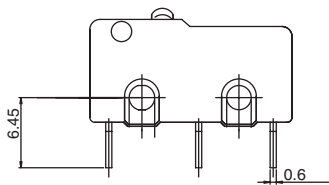
Third Angle  
Projection

Dimensions are shown: mm  
Specifications and dimensions subject to change

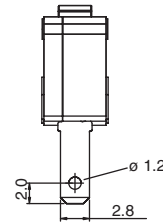
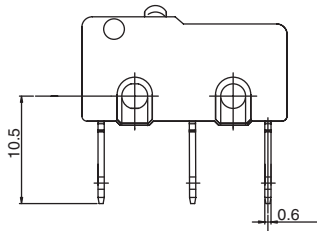
# LCA Series Small Size Snap-acting Switches

## TERMINATIONS

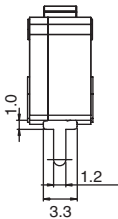
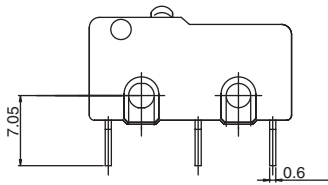
**S** SOLDER



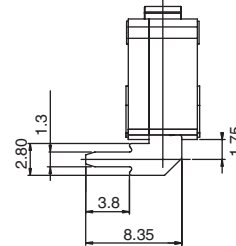
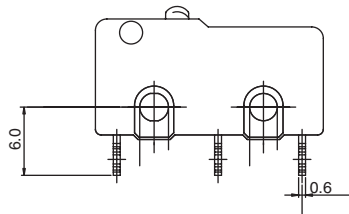
**Q** QUICK CONNECT



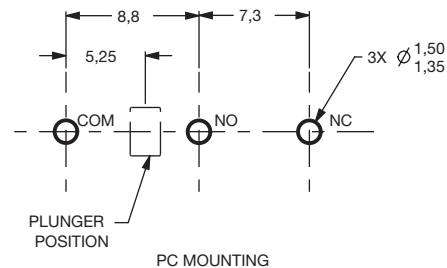
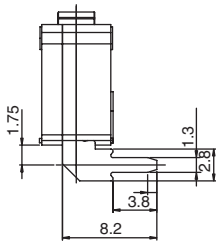
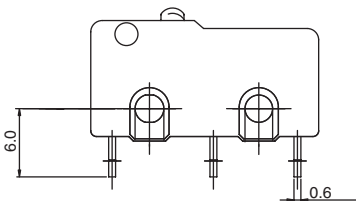
**P** PC THRU HOLE



**L** LEFT FORM PC



**R** RIGHT FORM PC



Snap-acting

## CIRCUITRY

**C** SPDT (Single Pole, Double Throw)

**W** SPST N.C. (Single Pole, Single Throw, Normally Closed)

**Y** SPST N.O. (Single Pole, Single Throw, Normally Open)



Dimensions are shown: mm  
Specifications and dimensions subject to change



## X-ON Electronics

Largest Supplier of Electrical and Electronic Components

*Click to view similar products for [Basic / Snap Action Switches](#) category:*

*Click to view products by [C&K](#) manufacturer:*

Other Similar products are found below :

[5SM901-S12](#) [5SM9-S12N195](#) [602EN532](#) [602EN535-RB](#) [602HE5-RB1](#) [604HE162](#) [604HE223-6B](#) [624HE17-RB](#) [6HM82](#) [6HM89](#) [6SE1](#)  
[6SX1-H58](#) [70500216](#) [70599106](#) [MBD5B1](#) [MBH2731](#) [73-316-0012](#) [EXD-AR20](#) [79211923](#) [79218589](#) [7AS12](#)  
[MIL30126AB6BBMD4A12XAU](#) [ML-1155](#) [ML-1376](#) [831010C3.0](#) [831090C2.EL](#) [83131904](#) [84212012](#) [8AS239](#) [8HM73-3](#) [8SX26-H33](#)  
[914CE1-6G](#) [PL-100](#) [11SM1077-H4](#) [11SM1077-H58](#) [11SM1-TN107](#) [11SM405](#) [11SM8423-H2](#) [11SX37-T](#) [11SX48-H58](#) [11SM2442-T](#)  
[11SM76-T](#) [11SM77-H58](#) [11SM77-T](#) [11SM863-T](#) [11SM866](#) [A7CN-1M-1-LEFT](#) [A831700C7.0](#) [121EN188-R](#) [1245.0120](#)