

MS Series Small Size Snap-acting Switches

Features/Benefits

- Detect interlock and movement
- Different lever options
- Various operating forces
- Extended mechanical life
- UL approval on some designs
- Customization available
- RoHS compatible and compliant

Typical Applications

- Office equipment
- Consumer electronics
- Appliances
- Audio & visual equipment
- Medical
- Industrial meters



Specifications

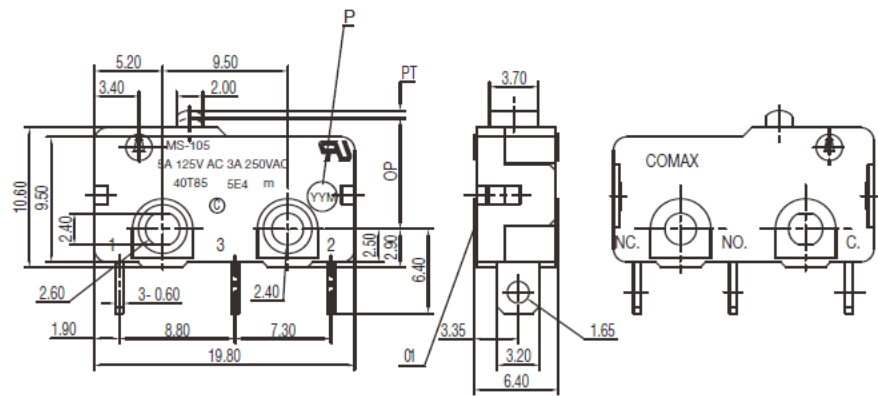
CONTACT ARRANGEMENT: SPDT
 CONTACT RATING: 5 A @ 125 VAC / 3 A @ 250 VAC
 OPERATING LIFE: 1,000,000 cycles without load
 6,000 cycles with load UL
 INITIAL CONTACT RESISTANCE: 100 mΩ max.
 INSULATION RESISTANCE: 100 MΩ min. @ 500 VDC
 DIELECTRIC STRENGTH: 1000 VAC (50-60 Hz)
 OPERATING TEMPERATURE: -40°C to + 85°C
 OPERATING FORCE: 130 ± 30 gf
 PRE-TRAVEL (PT): 0.6 mm max.
 OVERTRAVEL: 0.5 mm max.
 OPERATING POSITION (OP): 8.40 ± 0.40 mm

Materials

COVER: PBT (UL94V-0)
 HOUSING: PBT (UL94V-0)
 KNOB: PBT (UL94V-0)
 TERMINALS: Silver plated

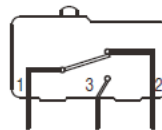
NOTE: Specifications and materials listed above are for switches with standard options. For information on specific and custom switches, consult Customer Service Center.

PART NUMBER
MS-105A01



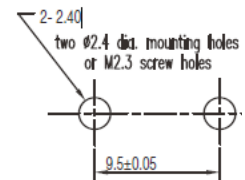
Standard Size

Circuit Diagram



SCHEMATIC

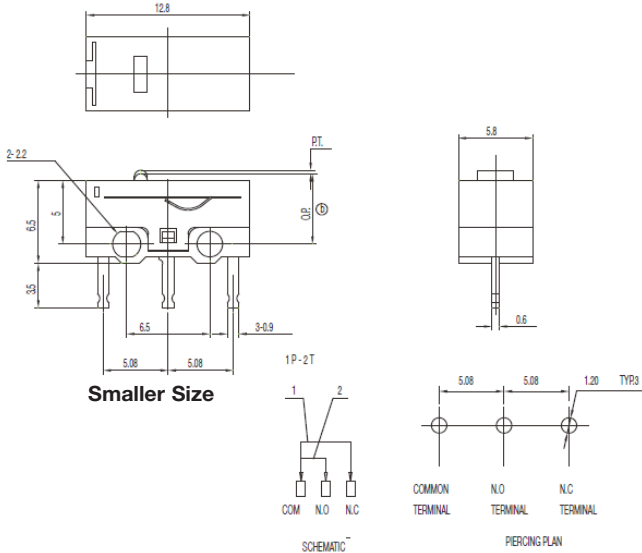
Mounting Holes



PIERCING PLAN

MS Series Small Size Snap-acting Switches

PART NUMBER
MS-118305



Specifications

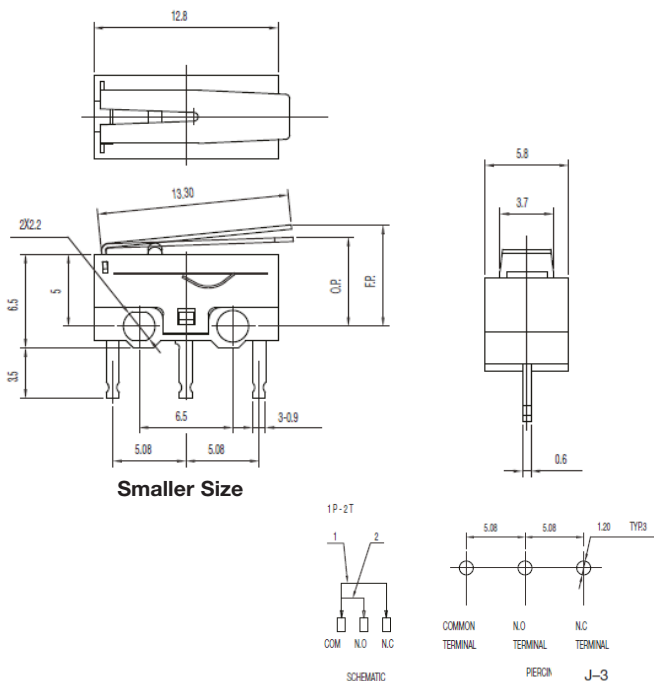
CONTACT ARRANGEMENT: SPDT
 CONTACT RATING: 0.1 A @ 30 VDC
 OPERATING LIFE: 500,000 cycles without load
 50,000 cycles with load
 INITIAL CONTACT RESISTANCE: 50 mΩ max.
 INSULATION RESISTANCE: 100 M Ω min. @ 500 VDC
 DIELECTRIC STRENGTH: 1000 VAC (50-60 Hz)
 OPERATING TEMPERATURE: -20°C to + 70°C
 OPERATING FORCE: 70 ± 40 gf
 PRE-TRAVEL (PT): 0.50 mm max.
 OVERTRAVEL: 0.5 mm min.
 OPERATING POSITION (OP): 5.50 ± 0.30 mm

Materials

COVER: PBT (UL94V-0)
 HOUSING: PBT (UL94V-0)
 KNOB: PBT (UL94V-0)
 TERMINALS: Silver plated

NOTE: Specifications and materials listed above are for switches with standard options. For information on specific and custom switches, consult Customer Service Center.

PART NUMBER
MS-118305-A



Specifications

CONTACT ARRANGEMENT: SPDT
 CONTACT RATING: 0.1 A @ 30 VDC
 OPERATING LIFE: 500,000 cycles without load
 50,000 cycles with load
 INITIAL CONTACT RESISTANCE: 50 mΩ max.
 INSULATION RESISTANCE: 100 M Ω min. @ 500 VDC
 DIELECTRIC STRENGTH: 1000 VAC (50-60 Hz)
 OPERATING TEMPERATURE: -20°C to + 70°C
 OPERATING FORCE: 25 ± 15 gf
 OVERTRAVEL: 0.5 mm min.
 OPERATING POSITION (OP): 6.0 ± 0.80 mm
 FREE POSITION (FP): 8.5mm max.

Materials

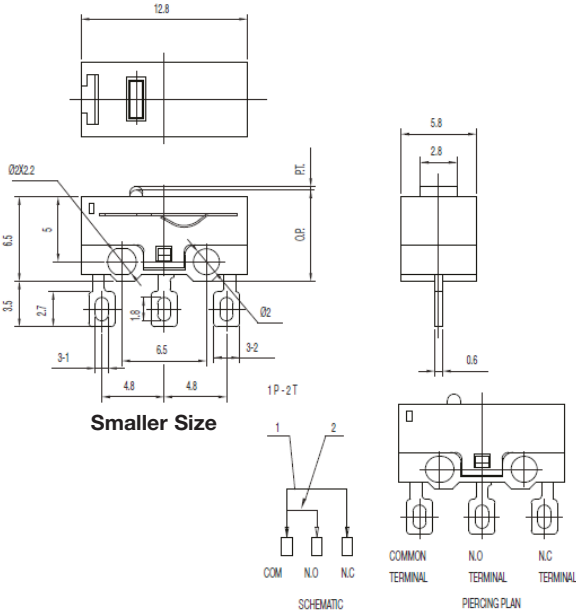
COVER: PBT (UL94V-0)
 HOUSING: PBT (UL94V-0)
 KNOB: PBT (UL94V-0)
 TERMINALS: Silver plated

NOTE: Specifications and materials listed above are for switches with standard options. For information on specific and custom switches, consult Customer Service Center.

MS Series Small Size Snap-acting Switches

Snap-acting

PART NUMBER
MS-118405



Specifications

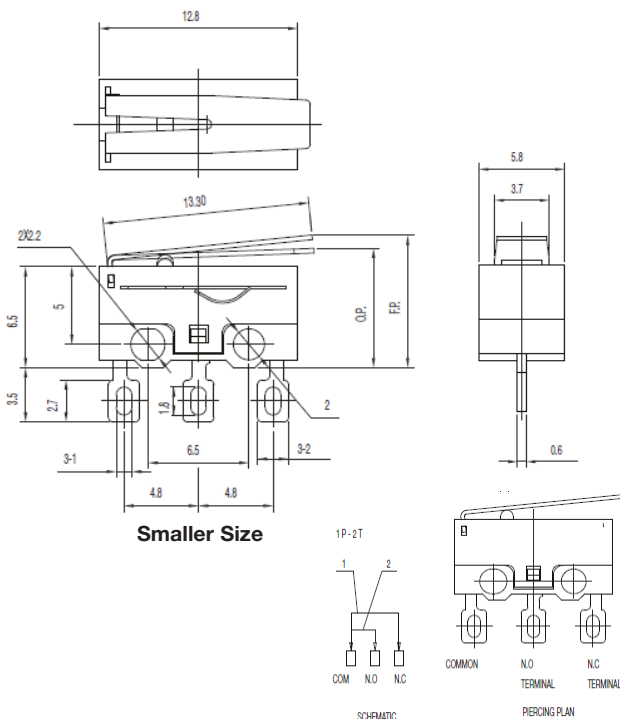
CONTACT ARRANGEMENT: SPDT
 CONTACT RATING: 0.1 A @ 30 VDC
 OPERATING LIFE: 500,000 cycles without load
 50,000 cycles with load
 INITIAL CONTACT RESISTANCE: 50 m Ω max.
 INSULATION RESISTANCE: 100 M Ω min. @ 500 VDC
 DIELECTRIC STRENGTH: 1000 VAC (50-60 Hz)
 OPERATING TEMPERATURE: -20°C to + 70°C
 OPERATING FORCE: 70 \pm 40 gf
 PRE-TRAVEL (PT): 0.50 mm max.
 OVERTRAVEL: 0.5 mm min.
 OPERATING POSITION (OP): 7.0 \pm 0.30 mm

Materials

COVER: PBT (UL94V-0)
 HOUSING: PBT (UL94V-0)
 KNOB: PBT (UL94V-0)
 TERMINALS: Silver plated

NOTE: Specifications and materials listed above are for switches with standard options. For information on specific and custom switches, consult Customer Service Center.

PART NUMBER
MS-118405-A



Specifications

CONTACT ARRANGEMENT: SPDT
 CONTACT RATING: 0.1 A @ 30 VDC
 OPERATING LIFE: 500,000 cycles without load
 50,000 cycles with load
 INITIAL CONTACT RESISTANCE: 50 m Ω max.
 INSULATION RESISTANCE: 100 M Ω min. @ 500 VDC
 DIELECTRIC STRENGTH: 1000 VAC (50-60 Hz)
 OPERATING TEMPERATURE: -20°C to + 70°C
 OPERATING FORCE: 25 \pm 15 gf
 OVERTRAVEL: 0.5 mm min.
 OPERATING POSITION (OP): 7.5 \pm 0.80 mm
 FREE POSITION (FP): 10 mm max.

Materials

COVER: PBT (UL94V-0)
 HOUSING: PBT (UL94V-0)
 KNOB: PBT (UL94V-0)
 TERMINALS: Silver plated

NOTE: Specifications and materials listed above are for switches with standard options. For information on specific and custom switches, consult Customer Service Center.



Dimensions are shown: Inch (mm)
 Specifications and dimensions subject to change

X-ON Electronics

Largest Supplier of Electrical and Electronic Components

Click to view similar products for [Basic / Snap Action Switches](#) category:

Click to view products by [C&K](#) manufacturer:

Other Similar products are found below :

[5SM901-S12](#) [5SM9-S12N195](#) [602EN532](#) [602EN535-RB](#) [602HE5-RB1](#) [604HE162](#) [604HE223-6B](#) [624HE17-RB](#) [6HM82](#) [6HM89](#) [6SE1](#)
[6SX1-H58](#) [70500216](#) [70599106](#) [MBD5B1](#) [MBH2731](#) [73-316-0012](#) [EXD-AR20](#) [79211923](#) [79218589](#) [7AS12](#)
[MIL30126AB6BBMD4A12XAU](#) [ML-1155](#) [ML-1376](#) [831010C3.0](#) [831090C2.EL](#) [83131904](#) [84212012](#) [8AS239](#) [8HM73-3](#) [8SX26-H33](#)
[914CE1-6G](#) [PL-100](#) [11SM1077-H4](#) [11SM1077-H58](#) [11SM1-TN107](#) [11SM405](#) [11SM8423-H2](#) [11SX37-T](#) [11SX48-H58](#) [11SM2442-T](#)
[11SM76-T](#) [11SM77-H58](#) [11SM77-T](#) [11SM863-T](#) [11SM866](#) [A7CN-1M-1-LEFT](#) [A831700C7.0](#) [121EN188-R](#) [1245.0120](#)