

MS Series Subminiature Snap-acting Switches

Features/Benefits

- Detect interlock and movement
- Different lever options
- Various operating forces
- Extended mechanical life
- UL approval on some designs
- Customization available
- RoHS compatible and compliant

Typical Applications

- Office equipment
- Consumer electronics
- Appliances
- Audio & visual equipment
- Medical
- Industrial meters



Specifications

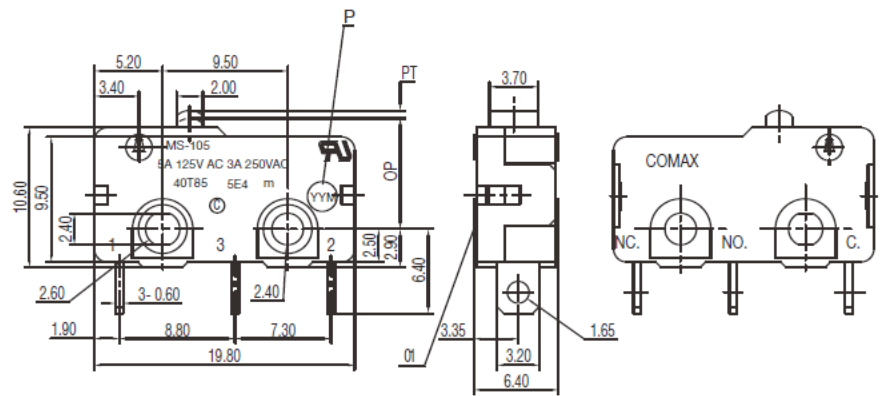
CONTACT ARRANGEMENT: SPDT
 CONTACT RATING: 5 A @ 125 VAC / 3 A @ 250 VAC
 OPERATING LIFE: 1,000,000 cycles without load
 6,000 cycles with load UL
 INITIAL CONTACT RESISTANCE: 100 mΩ max.
 INSULATION RESISTANCE: 100 MΩ min. @ 500 VDC
 DIELECTRIC STRENGTH: 1000 VAC (50-60 Hz)
 OPERATING TEMPERATURE: -40°C to + 85°C
 OPERATING FORCE: 130 ± 30 gf
 PRE-TRAVEL (PT): 0.6 mm max.
 OVERTRAVEL: 0.5 mm max.
 OPERATING POSITION (OP): 8.40 ± 0.40 mm

Materials

COVER: PBT (UL94V-0)
 HOUSING: PBT (UL94V-0)
 KNOB: PBT (UL94V-0)
 TERMINALS: Silver plated

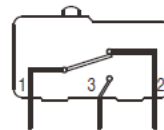
NOTE: Specifications and materials listed above are for switches with standard options. For information on specific and custom switches, consult Customer Service Center.

PART NUMBER
MS-105A01



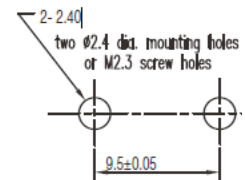
Standard Size

Circuit Diagram



SCHEMATIC

Mounting Holes

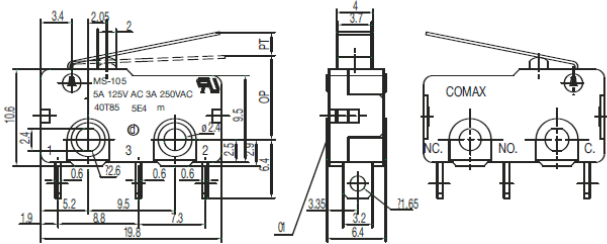


PIERCING PLAN

MS Series Subminiature Snap-acting Switches

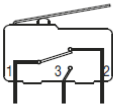
PART NUMBER

MS-105A01-01



Standard Size

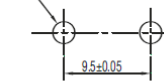
Circuit Diagram



SCHEMATIC

Mounting Holes

two #2.4 dia. mounting holes
or M2.3 screw holes



PIERCING PLAN

Specifications

CONTACT ARRANGEMENT: SPDT
CONTACT RATING: 5 A @ 125 VAC / 3 A @ 250 VAC
OPERATING LIFE: 1,000,000 cycles without load
6,000 cycles with load UL
INITIAL CONTACT RESISTANCE: 100 mΩ max.
INSULATION RESISTANCE: 100 MΩ min. @ 500 VDC
DIELECTRIC STRENGTH: 1000 VAC (50-60 Hz)
OPERATING TEMPERATURE: -40°C to + 85°C
OPERATING FORCE: 65 ± 20 gf
PRE-TRAVEL (PT): 3.0 mm max.
OVERTRAVEL: 1.0 mm max.
OPERATING POSITION (OP): 9.40 ± 1.0 mm

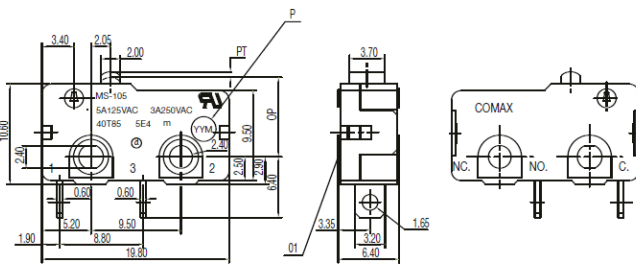
Materials

COVER: PBT (UL94V-0)
HOUSING: PBT (UL94V-0)
KNOB: PBT (UL94V-0)
TERMINALS: Silver plated

NOTE: Specifications and materials listed above are for switches with standard options. For information on specific and custom switches, consult Customer Service Center.

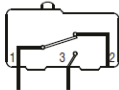
PART NUMBER

MS-105B01



Standard Size

Circuit Diagram



SCHEMATIC

Mounting Holes

two #2.4 dia. mounting holes
or M2.3 screw holes



PIERCING PLAN

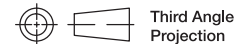
Specifications

CONTACT ARRANGEMENT: SPST
CONTACT RATING: 5 A @ 125 VAC / 3 A @ 250 VAC
OPERATING LIFE: 1,000,000 cycles without load
6,000 cycles with load UL
INITIAL CONTACT RESISTANCE: 100 mΩ max.
INSULATION RESISTANCE: 100 MΩ min. @ 500 VDC
DIELECTRIC STRENGTH: 1000 VAC (50-60 Hz)
OPERATING TEMPERATURE: -40°C to + 85°C
OPERATING FORCE: 230 ± 50 gf
PRE-TRAVEL (PT): 0.6 mm max.
OVERTRAVEL: 0.5 mm max.
OPERATING POSITION (OP): 8.40 ± 0.40 mm

Materials

COVER: PBT (UL94V-0)
HOUSING: PBT (UL94V-0)
KNOB: PBT (UL94V-0)
TERMINALS: Silver plated

NOTE: Specifications and materials listed above are for switches with standard options. For information on specific and custom switches, consult Customer Service Center.



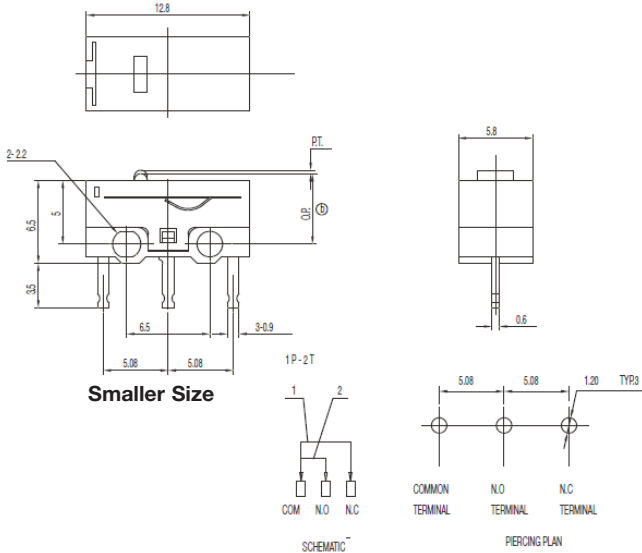
Third Angle
Projection

Dimensions are shown: Inch (mm)
Specifications and dimensions subject to change

Snap-acting

MS Series Subminiature Snap-acting Switches

PART NUMBER
MS-118305



Specifications

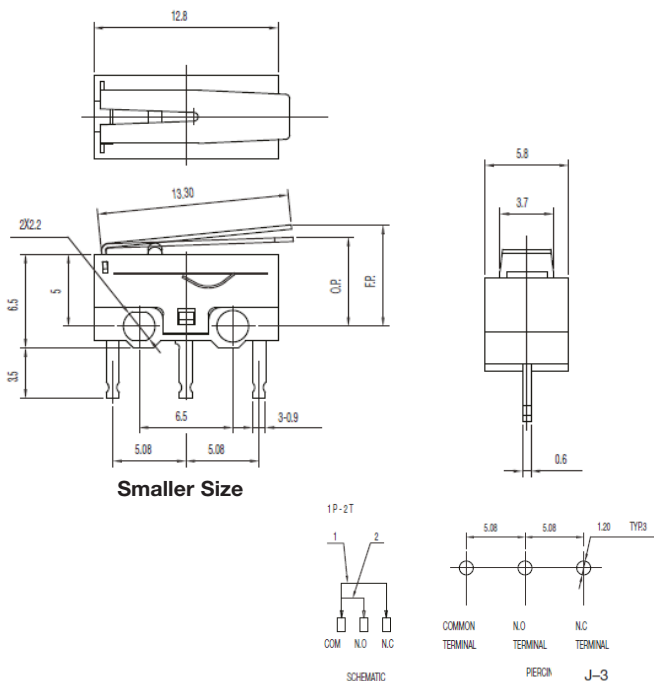
CONTACT ARRANGEMENT: SPDT
 CONTACT RATING: 0.1 A @ 30 VDC
 OPERATING LIFE: 500,000 cycles without load
 50,000 cycles with load
 INITIAL CONTACT RESISTANCE: 50 m Ω max.
 INSULATION RESISTANCE: 100 M Ω min. @ 500 VDC
 DIELECTRIC STRENGTH: 1000 VAC (50-60 Hz)
 OPERATING TEMPERATURE: -20°C to + 70°C
 OPERATING FORCE: 70 \pm 40 gf
 PRE-TRAVEL (PT): 0.50 mm max.
 OVERTRAVEL: 0.5 mm min.
 OPERATING POSITION (OP): 5.50 \pm 0.30 mm

Materials

COVER: PBT (UL94V-0)
 HOUSING: PBT (UL94V-0)
 KNOB: PBT (UL94V-0)
 TERMINALS: Silver plated

NOTE: Specifications and materials listed above are for switches with standard options. For information on specific and custom switches, consult Customer Service Center.

PART NUMBER
MS-118305-A



Specifications

CONTACT ARRANGEMENT: SPDT
 CONTACT RATING: 0.1 A @ 30 VDC
 OPERATING LIFE: 500,000 cycles without load
 50,000 cycles with load
 INITIAL CONTACT RESISTANCE: 50 m Ω max.
 INSULATION RESISTANCE: 100 M Ω min. @ 500 VDC
 DIELECTRIC STRENGTH: 1000 VAC (50-60 Hz)
 OPERATING TEMPERATURE: -20°C to + 70°C
 OPERATING FORCE: 25 \pm 15 gf
 OVERTRAVEL: 0.5 mm min.
 OPERATING POSITION (OP): 6.0 \pm 0.80 mm
 FREE POSITION (FP): 8.5mm max.

Materials

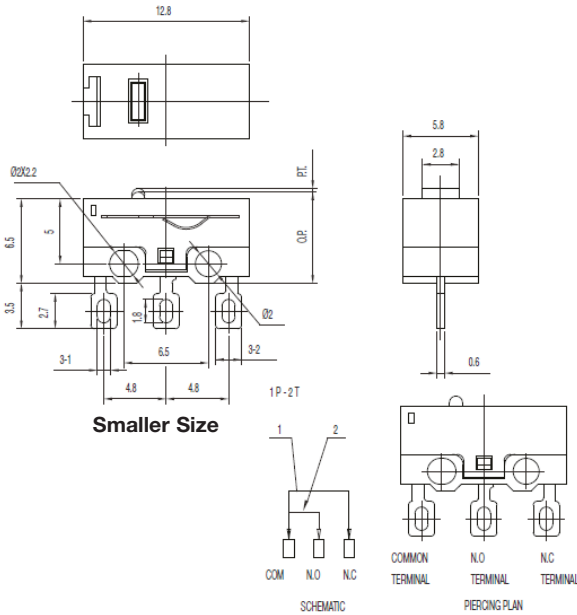
COVER: PBT (UL94V-0)
 HOUSING: PBT (UL94V-0)
 KNOB: PBT (UL94V-0)
 TERMINALS: Silver plated

NOTE: Specifications and materials listed above are for switches with standard options. For information on specific and custom switches, consult Customer Service Center.

MS Series Subminiature Snap-acting Switches

PART NUMBER

MS-118405



Specifications

CONTACT ARRANGEMENT: SPDT
 CONTACT RATING: 0.1 A @ 30 VDC
 OPERATING LIFE: 500,000 cycles without load
 50,000 cycles with load
 INITIAL CONTACT RESISTANCE: 50 m Ω max.
 INSULATION RESISTANCE: 100 M Ω min. @ 500 VDC
 DIELECTRIC STRENGTH: 1000 VAC (50-60 Hz)
 OPERATING TEMPERATURE: -20°C to + 70°C
 OPERATING FORCE: 70 \pm 40 gf
 PRE-TRAVEL (PT): 0.50 mm max.
 OVERTRAVEL: 0.5 mm min.
 OPERATING POSITION (OP): 7.0 \pm 0.30 mm

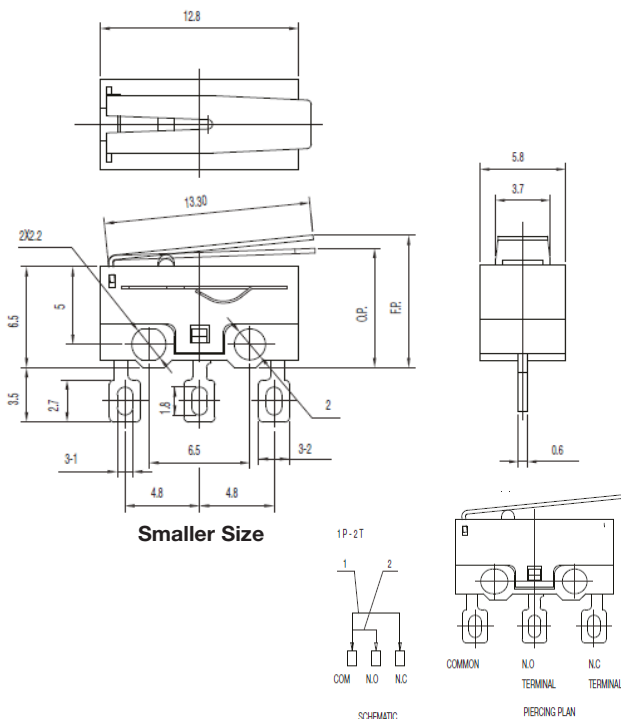
Materials

COVER: PBT (UL94V-0)
 HOUSING: PBT (UL94V-0)
 KNOB: PBT (UL94V-0)
 TERMINALS: Silver plated

NOTE: Specifications and materials listed above are for switches with standard options. For information on specific and custom switches, consult Customer Service Center.

PART NUMBER

MS-118405-A



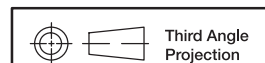
Specifications

CONTACT ARRANGEMENT: SPDT
 CONTACT RATING: 0.1 A @ 30 VDC
 OPERATING LIFE: 500,000 cycles without load
 50,000 cycles with load
 INITIAL CONTACT RESISTANCE: 50 m Ω max.
 INSULATION RESISTANCE: 100 M Ω min. @ 500 VDC
 DIELECTRIC STRENGTH: 1000 VAC (50-60 Hz)
 OPERATING TEMPERATURE: -20°C to + 70°C
 OPERATING FORCE: 25 \pm 15 gf
 OVERTRAVEL: 0.5 mm min.
 OPERATING POSITION (OP): 7.5 \pm 0.80 mm
 FREE POSITION (FP): 10 mm max.

Materials

COVER: PBT (UL94V-0)
 HOUSING: PBT (UL94V-0)
 KNOB: PBT (UL94V-0)
 TERMINALS: Silver plated

NOTE: Specifications and materials listed above are for switches with standard options. For information on specific and custom switches, consult Customer Service Center.



Dimensions are shown: Inch (mm)
 Specifications and dimensions subject to change

X-ON Electronics

Largest Supplier of Electrical and Electronic Components

Click to view similar products for [Switch Accessories](#) category:

Click to view products by [C&K](#) manufacturer:

Other Similar products are found below :

[896809000](#) [01500](#) [01010](#) [01501](#) [7101MD9V30B](#) [7103KZBE](#) [7103P3YAVGE](#) [7209MD9ABE](#) [7209SY9AQE](#) [7209SYCBE](#) [7303KZQE](#)
[F1302](#) [F1403](#) [760201000](#) [764300000](#) [785105000](#) [785106000](#) [789009000](#) [7T0062](#) [7T0073](#) [MJ1216](#) [MJ33](#) [MJ612](#) [849PT01A](#)
[91321314655637182-1-MEV](#) [A0107X](#) [A0141A](#) [A0141E](#) [A0142M2SP](#) [A0142N5](#) [A0143G](#) [A0143H](#) [A0161G](#) [A0162A](#) [A0162F](#) [A019307](#)
[A01RTC8](#) [A0214X](#) [A0215X](#) [A02504](#) [A02512](#) [A0261A](#) [A0263D](#) [A029303](#) [A02MXB](#) [A168P1](#) [A274](#) [A3A-7310](#) [A3PA571124E](#) [A466](#)