

# OS Series Miniature Slide Switches

## Features/Benefits

- Variety of actuators & terminations
- PC and panel mounting
- Gold or silver plating available
- Shorting or non-shorting contacts
- RoHS compliant
- Halogen free material

## Typical Applications

- Test & measurement equipment
- Computer peripherals & network products
- Consumer products



## Specifications

CONTACT RATING: See individual parts.  
 MECHANICAL & ELECTRICAL LIFE: 10,000 cycles.  
 CONTACT RESISTANCE: 20 m Ω or less.  
 INSULATION RESISTANCE: 100 M Ω min. at 500 VDC.  
 DIELECTRIC STRENGTH: 500 VAC for 1 minute.  
 OPERATING TEMPERATURE: -30°C to +70°C.  
 PACKAGING: Bulk

\* For RoHS compatible switches contact customer service.

## Materials

BASE: Phenolic resin.  
 ACTUATOR: POM, black.  
 HOUSING PLATE: Non-compatible; SPCC Sn plated.  
 Compatible; SPCC Ni plated.  
 MOVABLE CONTACT: Copper alloy, silver plated or gold.  
 STATIONARY CONTACTS: Brass, silver plated.  
 TERMINALS: Brass, silver plated (Gold plate - Contact customer service).  
 TERMINAL SEALED.

**NOTE:** Specifications and materials listed above are for switches with standard options. For information on specific and custom switches, consult Customer Service Center.

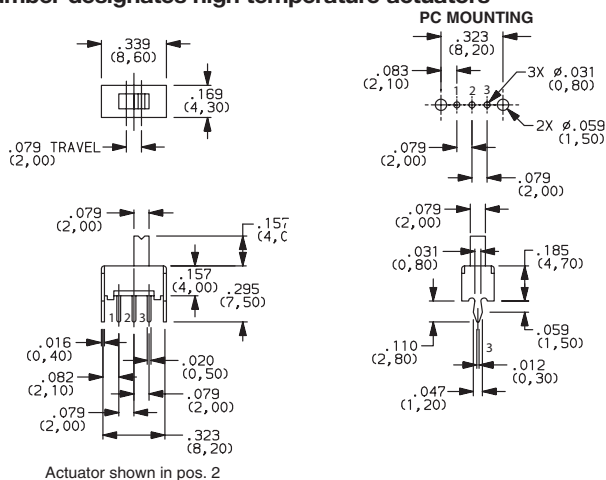
## How To Order

Complete part numbers for OS Series Slide Switches are shown on pages I-37 through I-43.

**NOTE: Adding "C" option at the end of part number designates high temperature actuators**

PART NUMBER			SWITCH FUNCTION	
	RoHS Compliant	RoHS Compatible	POS.1	POS.2
<b>OS102011MS2QN1</b> (non-shorting)	YES	NO	ON	ON
<b>OS102011MS2QN1C</b> (non-shorting)	YES	YES	ON	ON
<b>OS102011MS2QS1</b> (shorting)	YES	NO	ON	ON
<b>OS102011MS2QS1C</b> (shorting)	YES	YES	ON	ON
CONN. TERMINALS			1-2	2-3
SCHEMATIC				
SPDT				

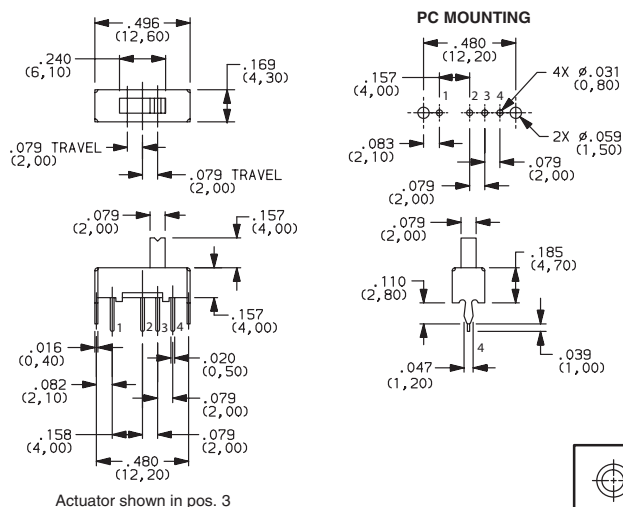
CONTACT RATING: 0.1A @ 12 VDC



OS102011MS2QN1  
SPDT

PART NUMBER			SWITCH FUNCTION		
	ROHS Compliant	ROHS Compatible	POS.1	POS.2	POS.3
<b>OS103011MS8QP1</b> (Non-specified)	YES	NO	ON	ON	ON
<b>OS103011MS8QP1C</b> (Non-specified)	YES	YES	ON	ON	ON
CONN. TERMINALS			1-2	2-3	2-4
SCHEMATIC					
SP3T					

CONTACT RATING: 0.1A @ 12 VDC



OS103011MS8QP1  
SP3T



Dimensions are shown: Inches (mm)  
 Specifications and dimensions subject to change



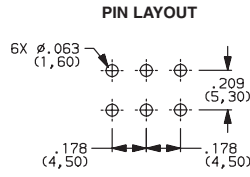
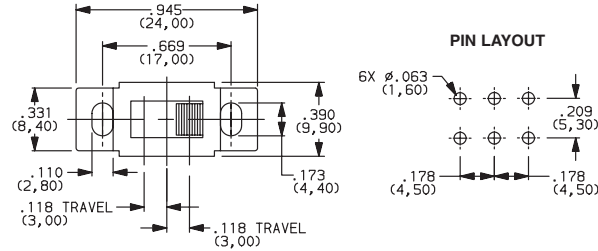
Slide



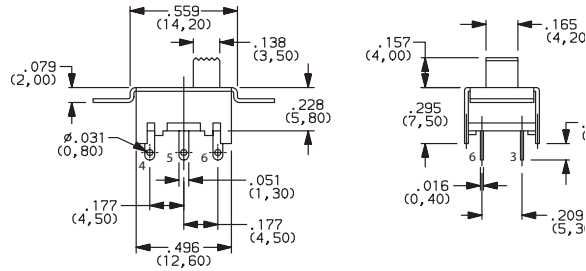
# OS Series Miniature Slide Switches

PART NUMBER	ROHS		SWITCH FUNCTION		
	Compliant	Compatible	POS.1	POS.2	POS.3
<b>OS203013MT7QN1</b> (Non-shorting)	YES	NO	ON	OFF	ON
CONN. TERMINALS			1-2, 4-5		2-3, 5-6
SCHEMATIC					
DP3T					

CONTACT RATING: 0.3A @ 30 VDC



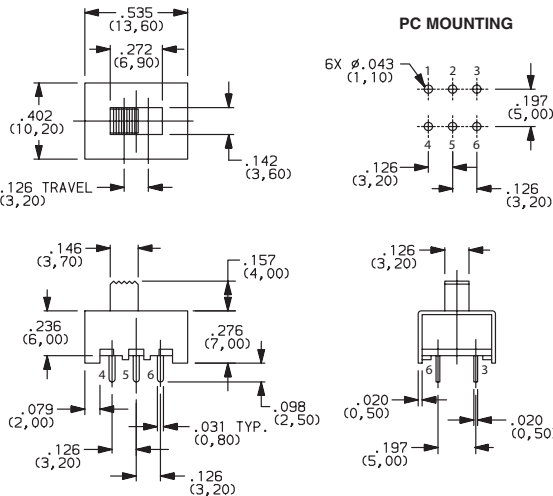
OS203013MT7QN1  
DP3T



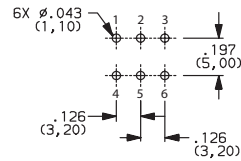
Actuator shown in pos. 3

PART NUMBER	ROHS		SWITCH FUNCTION	
	Compliant	Compatible	POS.1	POS.2
<b>OS202013MT8QN1</b> (Non-shorting)	YES	NO	ON	ON
CONN. TERMINALS			1-2, 4-5	2-3, 5-6
SCHEMATIC				
DPDT				

CONTACT RATING: 0.3A @ 30 VDC



PC MOUNTING

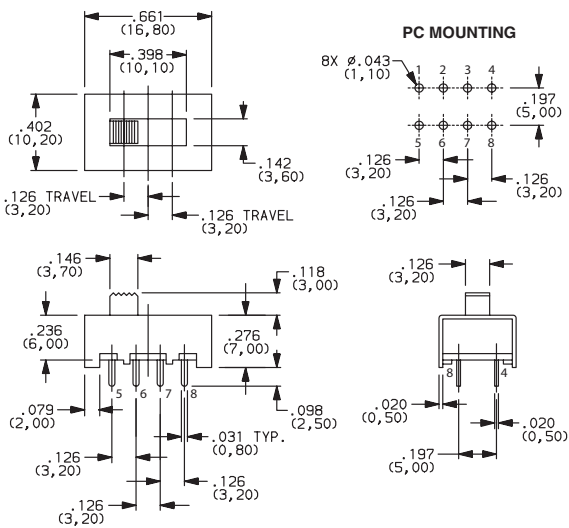


OS202013MT8QN1  
DPDT

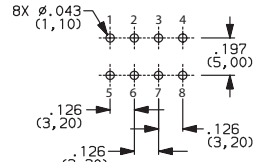
Actuator shown in pos. 1

PART NUMBER	ROHS		SWITCH FUNCTION		
	Compliant	Compatible	POS.1	POS.2	POS.3
<b>OS203013MT8QN1</b> (Non-shorting)	YES	NO	ON	ON	ON
CONN. TERMINALS			1-2, 5-6	2-3, 6-7	3-4, 7-8
SCHEMATIC					
DP3T					

CONTACT RATING: 0.3A @ 30 VDC



PC MOUNTING



OS203013MT8QN1  
DP3T

Actuator shown in pos. 1



Third Angle  
Projection

Dimensions are shown: Inches (mm)  
Specifications and dimensions subject to change

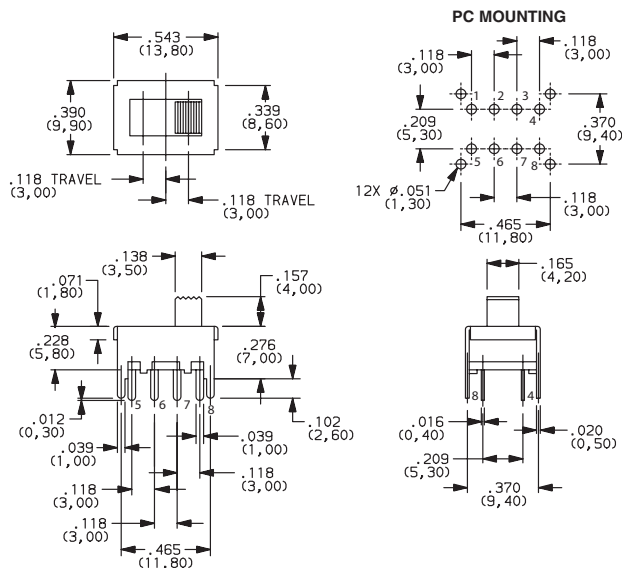


Slide

# OS Series Miniature Slide Switches



OS203013MT6QN1  
DP3T



Actuator shown in pos. 3

PART NUMBER			SWITCH FUNCTION		
	ROHS Compliant	ROHS Compatible	POS.1	POS.2	POS.3
OS203013MT6QN1 (Non-shorting)	YES	NO	ON	ON	ON
CONN. TERMINALS			1-2, 5-6	2-3, 6-7	3-4, 7-8
SCHEMATIC					
DP3T					

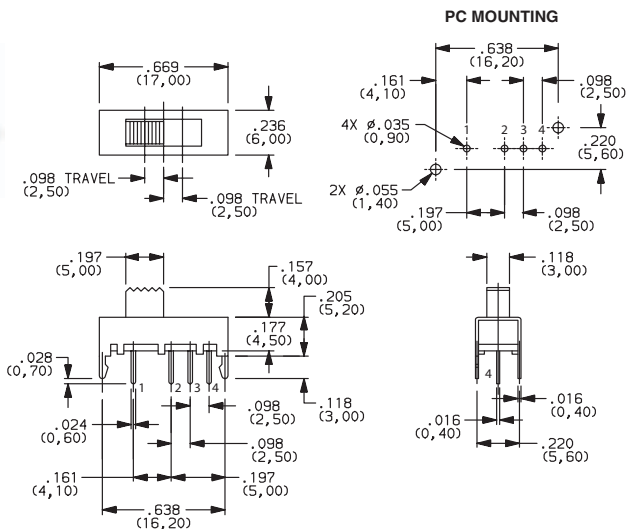
CONTACT RATING: 0.2A @ 30 VDC



Slide



OS103012MU1QP1  
SP3T



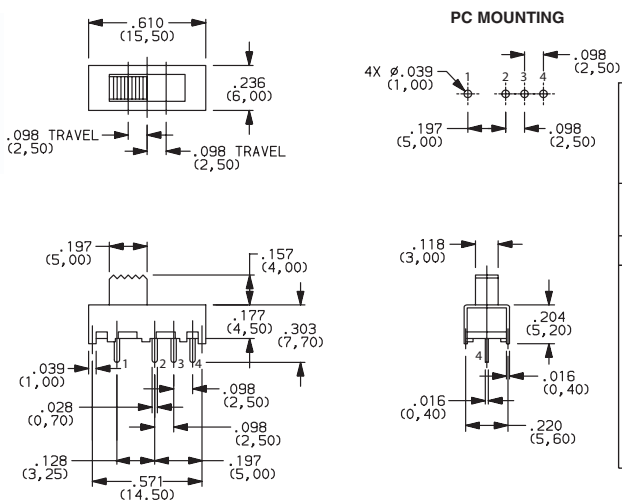
Actuator shown in pos. 1

PART NUMBER			SWITCH FUNCTION		
	ROHS Compliant	ROHS Compatible	POS.1	POS.2	POS.3
OS103012MU1QP1 (Non-shorting)	YES	NO	ON	ON	ON
CONN. TERMINALS			1-2	2-3	2-4
SCHEMATIC					
SP3T					

CONTACT RATING: 0.2A @ 30 VDC



OS103012MU2QP1  
SP3T



Actuator shown in pos. 1

PART NUMBER			SWITCH FUNCTION		
	ROHS Compliant	ROHS Compatible	POS.1	POS.2	POS.3
OS103012MU2QP1 (Non-shorting)	YES	NO	ON	ON	ON
CONN. TERMINALS			1-2	2-3	2-4
SCHEMATIC					
SP3T					

CONTACT RATING: 0.2A @ 30 VDC



Third Angle Projection

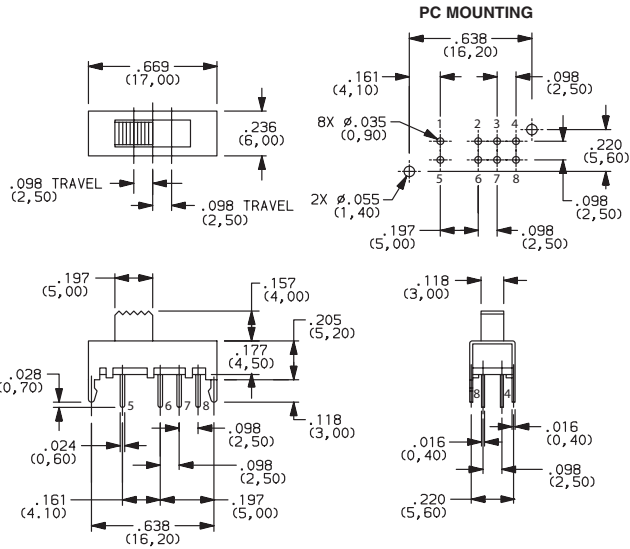
Dimensions are shown: Inch (mm)  
Specifications and dimensions subject to change



# OS Series Miniature Slide Switches

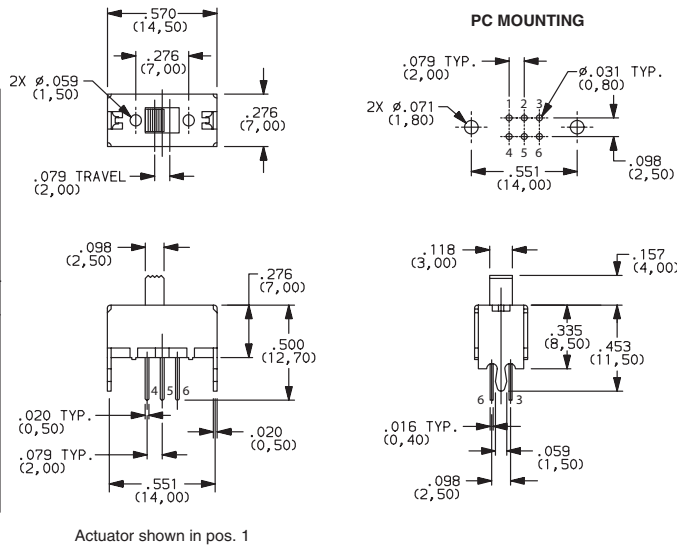
PART NUMBER	ROHS		SWITCH FUNCTION		
	Compliant	Compatible	POS.1	POS.2	POS.3
<b>OS203012MU5QP1</b> (Non-specified)	YES	NO	ON	ON	ON
CONN. TERMINALS			1-2, 5-6	2-3, 6-7	2-4, 6-8
SCHEMATIC					
<b>DP3T</b>					

CONTACT RATING: 0.1A @ 30 VDC



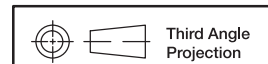
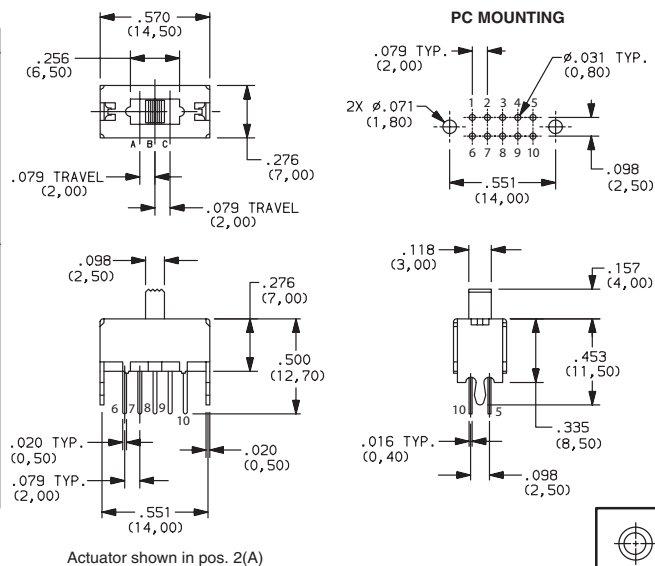
PART NUMBER	ROHS		SWITCH FUNCTION	
	Compliant	Compatible	POS.1	POS.2
<b>OS202011MV4QN1</b> (Non-shorting)	YES	NO	ON	ON
<b>OS202011MV4QS1</b> (Shorting)	YES	NO	ON	ON
CONN. TERMINALS			1-2, 4-5	2-3, 5-6
SCHEMATIC				
<b>DPDT</b>				

CONTACT RATING: 0.1A @ 30 VDC



PART NUMBER	ROHS		SWITCH FUNCTION		
	Compliant	Compatible	POS.1	POS.2	POS.3
<b>OS203011MV9QS1</b> (Shorting)	YES	NO	ON	ON	ON
<b>OS203011MV9QN1</b> (Non-Shorting)	YES	NO	ON	ON	ON
CONN. TERMINALS			1-2-5 6-7-10	1-3-5 6-8-10	1-4-5 6-9-10
SCHEMATIC					
<b>DP3T</b>					

CONTACT RATING: 0.1A @ 30 VDC



Dimensions are shown: Inches (mm)  
Specifications and dimensions subject to change

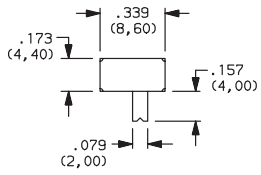


# OS Series Miniature Slide Switches

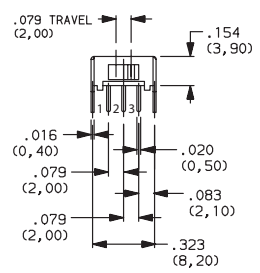
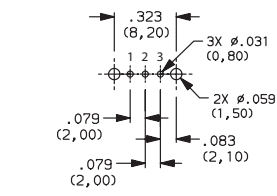
Slide



OS102011MA1QN1  
SPDT



**PC MOUNTING**



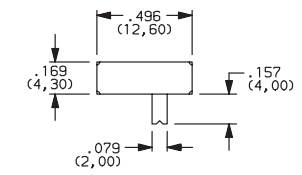
Actuator shown in pos. 2

PART NUMBER	RoHS		SWITCH FUNCTION	
	Compliant	Compatible	POS.1	POS.2
<b>OS102011MA1QN1</b> (Non-shorting)	YES	NO		
<b>OS102011MA1QN1C</b> (Non-shorting)	YES	YES		
<b>OS102011MA1QS1</b> (Shorting)	YES	NO		
<b>OS102011MA1QS1C</b> (Shorting)	YES	YES		
<b>CONN. TERMINALS</b>			1-2	2-3
<b>SCHEMATIC</b>				
<b>SPDT</b>				

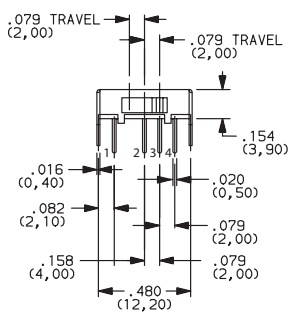
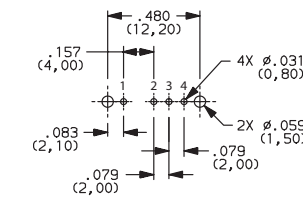
CONTACT RATING: 0.1A @ 12 VDC



OS103011MA7QP1  
SP3T



**PC MOUNTING**



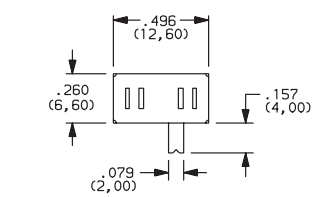
Actuator shown in pos. 3

PART NUMBER	RoHS		SWITCH FUNCTION		
	Compliant	Compatible	POS.1	POS.2	POS.3
<b>OS103011MA7QP1</b> (Non-specified)	YES	NO			
<b>OS103011MA7QP1C</b> (Non-specified)	YES	YES			
<b>CONN. TERMINALS</b>			1-2	2-3	2-4
<b>SCHEMATIC</b>					
<b>SP3T</b>					

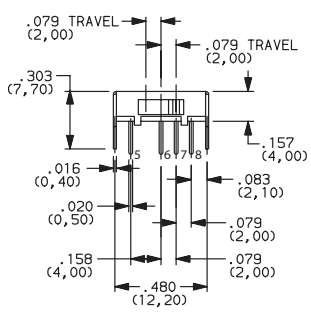
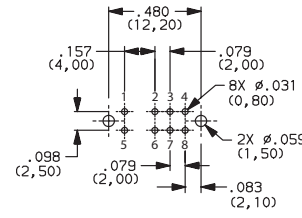
CONTACT RATING: 0.1A @ 12 VDC



OS203011MA2QP1  
DP3T



**PC MOUNTING**



Actuator shown in pos. 3

PART NUMBER	RoHS		SWITCH FUNCTION		
	Compliant	Compatible	POS.1	POS.2	POS.3
<b>OS203011MA2QP1</b> (Non-specified)	YES	NO			
<b>CONN. TERMINALS</b>			1-2, 5-6	2-3, 6-7	2-4, 6-8
<b>SCHEMATIC</b>					
<b>DP3T</b>					



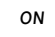
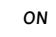
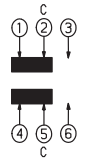
CONTACT RATING: 0.1A @ 12 VDC



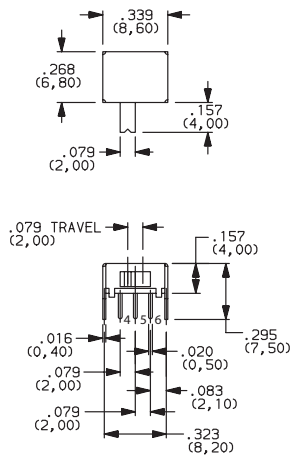
Dimensions are shown: Inch (mm)  
Specifications and dimensions subject to change



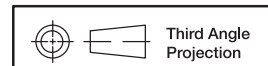
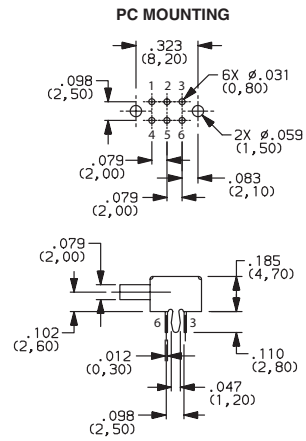
# OS Series Miniature Slide Switches

PART NUMBER			SWITCH FUNCTION	
	RoHS Compliant	RoHS Compatible	POS.1	POS.2
<b>OS202011MA0QN1</b> (Non-shorting)	<b>YES</b>	<b>NO</b>		
<b>OS202011MA0QS1</b> (Shorting)	<b>YES</b>	<b>NO</b>		
CONN. TERMINALS			1-2, 4-5	2-3, 5-6
SCHEMATIC				
				
<b>DPDT</b>				

CONTACT RATING: 0.1A @ 12 VDC



Actuator shown in pos. 1



Dimensions are shown: Inches (mm)  
Specifications and dimensions subject to change

## X-ON Electronics

Largest Supplier of Electrical and Electronic Components

*Click to view similar products for [Slide Potentiometers](#) category:*

*Click to view products by [C&K](#) manufacturer:*

Other Similar products are found below :

[M22](#) [MHS133K](#) [MSS12A](#) [MSSA22](#) [M42A](#) [MSS42G](#) [SS-4928](#) [RSA0K11A901L](#) [SLB124145](#) [SLB1340R45](#) [RA6020F-10-20D1-B50K](#)  
[RA4520F-10-20D1-B50K](#) [TSS11AGPC](#) [X22205CAAF](#) [448XC2103BDN](#) [X22205A-437W](#) [T22205BAAE](#) [SS-22J08-G5](#) [X22205AAAL](#)  
[K22208EAAG](#) [PS15-10PC1BR10K](#) [1101M1S3ZQI2](#) [1201M1S1ZBE2](#) [1101M2S4AGE2](#) [1101M2S6ABE2](#) [1201M1S3ZBE2](#) [EVA-](#)  
[JQKR15Y14](#) [EVA-NADR15A14](#) [EVA-NADR15D14](#) [EVA-NE4R15A14](#) [EVB-NADR15Y14](#) [ASE1D](#) [ASE1E](#) [ASE2D](#) [MFP113D](#) [MFP130](#)  
[MFP1323](#) [MFP1424](#) [MFP161D](#) [MFP2220R](#) [MFP231P](#) [MFP261N](#) [MMP1010DRA1](#) [MMP131](#) [L202021MS02Q](#) [MFP120](#) [MFP 130 R](#)  
[MFP1323R](#) [MFP140](#) [MFP140-R](#)