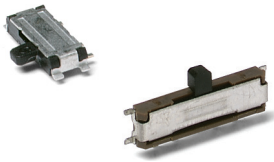


# PCM Series

## Ultraminiature Surface Mount Slide Switches



### Features/Benefits

- Ultraminiature surface mount
- Low profile
- SPDT & SP3T models
- RoHS compliant

### Typical Applications

- Computer peripherals & network products
- Telecommunication products
- Test & measurement equipment

### Specifications

CONTACT RATING: 0.3A @ 6 VDC.  
 ELECTRICAL LIFE: 10,000 cycles.  
 CONTACT RESISTANCE: 70 m Ω max.  
 INSULATION RESISTANCE: 100 M Ω min. @ 500V.  
 DIELECTRIC STRENGTH: 500 VAC min.  
 OPERATING TEMPERATURE: -20°C to +85°C for PCM12SMTR.  
 OPERATING TEMPERATURE: -10°C to +85°C for PCM13SMTR.  
 SOLDERABILITY: 255C max. solder temperature.  
 PACKAGING: Tape & reel.

### Materials

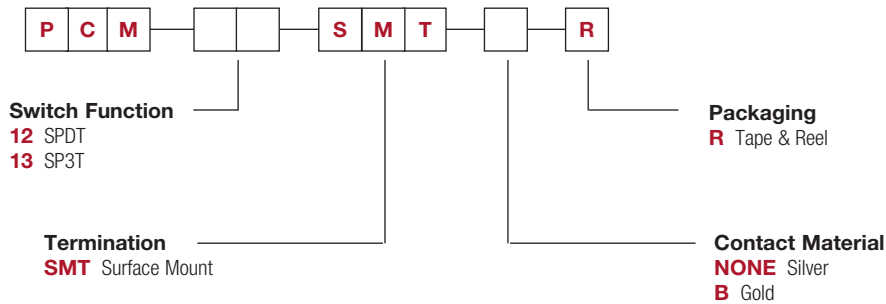
CASE: PPA  
 COVER: Stainless steel.  
 SLIDER: Nylon 4/6  
 CONTACTS: Copper alloy silver or gold plated  
 TERMINALS: Copper alloy, silver or gold plated

**NOTE:** All models RoHS compliant and compatible with all options.

**NOTE:** Specifications and materials listed above are for switches with standard options. For information on specific and custom switches, consult Customer Service Center.

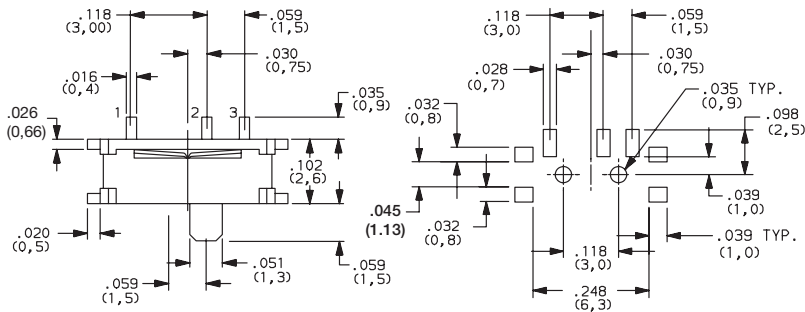
### How To Order

Our easy build-a-switch concept allows you to mix and match options to create the switch you need. To order, select desired option from each category and place it in the appropriate box.



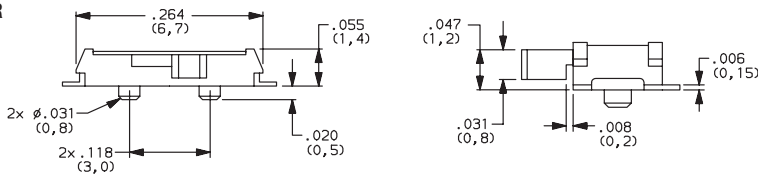
# PCM Series Ultraminiature Surface Mount Slide Switches

## PC MOUNTING



PART NUMBER	SWITCH FUNCTION	
	POS. 1	POS. 2
<b>PCM12SMTR</b>	ON	ON
CONN. TERMINALS	1-2	2-3
SCHMATIC	①	② ③
SPDT		

**PCM12SMTR**  
**SPDT**

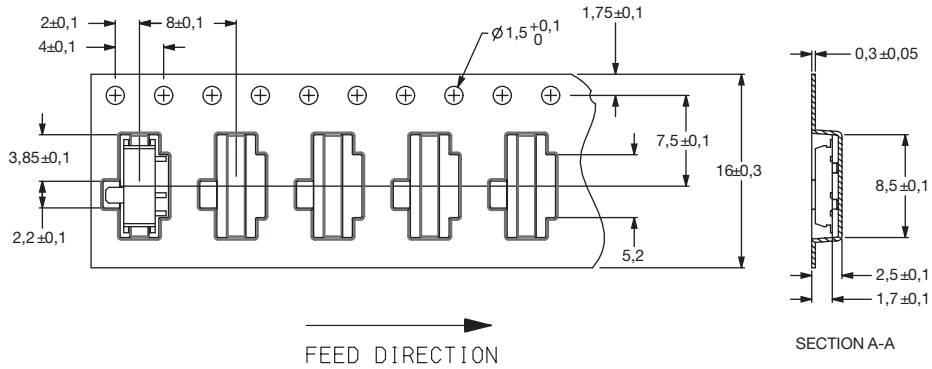


Actuator shown in pos. 2

## TAPE & REEL

For part number PCM12SMTR

Quantity per reel 3500





## X-ON Electronics

Largest Supplier of Electrical and Electronic Components

*Click to view similar products for [Slide Switches](#) category:*

*Click to view products by [C&K](#) manufacturer:*

Other Similar products are found below :

[6-1437581-1](#) [M43R](#) [MHS123K15D](#) [MHS133K](#) [MMD](#) [MSS12A](#) [EPS1PC1](#) [K232CB](#) [25139NLDB](#) [25449NAH](#) [1825078-1](#) [1825080-4](#)  
[1825269-1](#) [1825270-2](#) [T2215BEN506](#) [GH46P000001](#) [GH49P010001](#) [25339NA](#) [25436NLDH](#) [M42A](#) [TG36P000000](#) [AYZ0202AG](#)  
[L203091MS02Q](#) [4-1437581-7](#) [X2225CR-437W](#) [48BFSP3M2QT](#) [1101M1S3ZB8E2](#) [1-1437581-1](#) [EG1218REDACTUATOR](#) [MSS2225G04](#)  
[TG39W000000](#) [1825075-1](#) [MSS42G](#) [T105S1CWZBE](#) [SLB124145](#) [SLB1280R5](#) [SLB1340R45](#) [25136NLDB](#) [TG39W000050](#) [4021.4621](#)  
[25149NAH](#) [TG36Y000050](#) [NK236X693](#) [GE36P000001](#) [46204LRX](#) [EPS1PC2](#) [1977143-4](#) [1977144-4](#) [1977145-4](#) [HASS0194](#)