

PS-12G Series Pushbutton Switches



A
Pushbutton

Features/Benefits

- Latching pushbutton
- Non-shorting with lock
- 5 mm travel
- SPDT

Typical Applications

- Automotive interior lighting
- Computer peripherals
- Appliances



PART NUMBER	PACKAGING	SCHEMATIC
PS-12G01	200 pieces	

Dimensions

FOOTPRINT: 14 X 16.8 mm

HEIGHT: 18 mm

Specifications

CONTACT RATING: 1A @ 14 VDC

INITIAL CONTACT RESISTANCE: 100 m ohms max.

INSULATION RESISTANCE: 100 M ohms min.

DIELECTRIC STRENGTH: 500 V AC (50-60 Hz) between open terminals and between the frame and terminal.

OPERATING LIFE: 20,000 cycles with load

OPERATING FORCE: 400 ± 100 gf

OPERATING POSITION: 3.6 ± 0.2 mm

TOTAL TRAVEL: 5 ± 0.3 mm

OPERATING TEMPERATURE: -20°C to 70°C

Materials

KNOB: POM (UL 94HB)

HOUSING: PBT (UL 94V-0)

COVER: PBT (UL 94V-0)

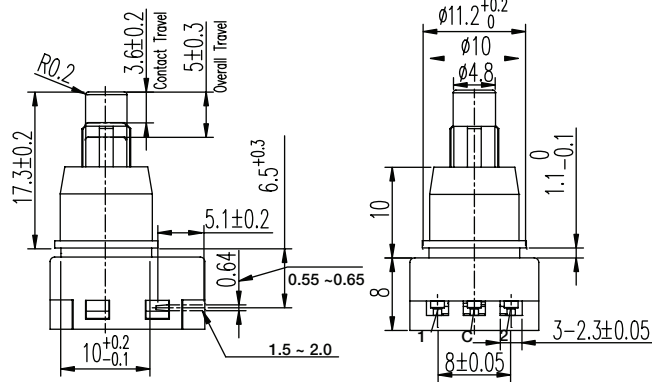
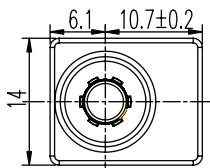
ROTOR: PBT (UL 94V-0)

SLIDER: POM (UL 94HB)

TERMINAL: Phospher bronze, silver plated

SPRING: Stainless steel

CONTACT: Phospher bronze, silver plated





PS-12G Series Pushbutton Switches

Pushbutton
A



PART NUMBER	PACKAGING	SCHEMATIC
PS-12G03	200 pieces	

Dimensions

FOOTPRINT: 14 X 16.8 mm

HEIGHT: 18.3 mm

Specifications

CONTACT RATING: 2.2A @ 14.5 VDC

INITIAL CONTACT RESISTANCE: 50 m ohms max.

INSULATION RESISTANCE: 100 M ohms min.

DIELECTRIC STRENGTH: 500 V AC (50-60 Hz) between open terminals and between the frame and terminal.

OPERATING LIFE: 20,000 cycles with load

OPERATING FORCE: 650 ± 300 gf

OPERATING POSITION: 4.00 ± 0.2 mm

TOTAL TRAVEL: 4.5 ± 0.3 mm

OPERATING TEMPERATURE: -40°C to 85°C

Materials

KNOB: POM (UL 94HB)

HOUSING: PBT & PA (UL 94V-0)

COVER: PBT (UL 94V-0)

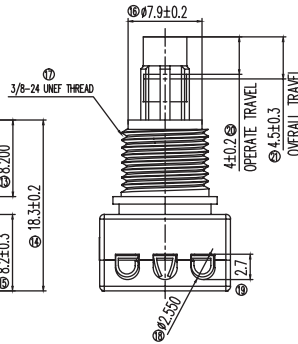
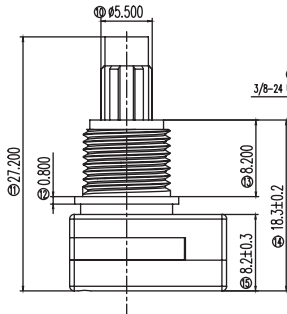
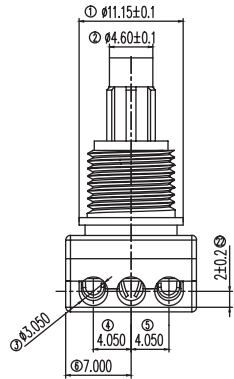
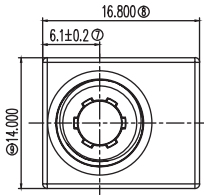
ROTOR: PBT (UL 94V-0)

SLIDER: POM (UL 94HB)

TERMINAL: Brass, silver plated

SPRING: Stainless steel

CONTACT: Phosphor bronze, silver plated



TYCO .062 Commercial Pin
and Socket Connector
PT# 770983-1

PS-22 Series Subminiature Pushbutton Switches



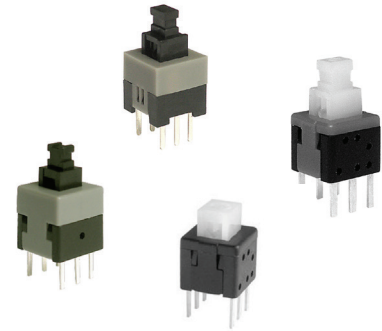
A
Pushbutton

Features/Benefits

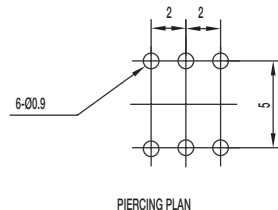
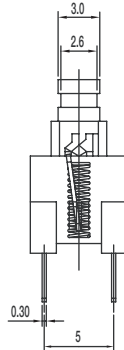
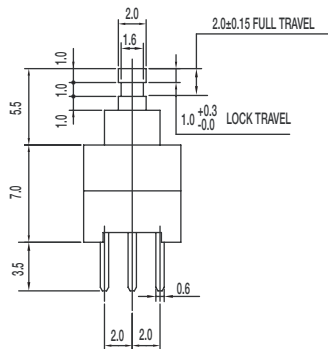
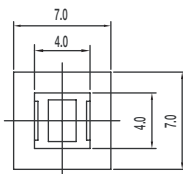
- Compact miniature push switch
- Momentary or latching options
- Shorting or non-shorting
- DPDT

Typical Applications

- Industrial
- Automotive
- Audio and visual equipment



PART NUMBER	PACKAGING	SCHEMATIC
PS-2203-L NS PA	1,000 pieces	
PS-2203-F NS PA	1,000 pieces	



Dimensions

FOOTPRINT: 7.0 x 7.0 mm

HEIGHT: 12.5 mm

Specifications

CONTACT RATING: 0.1A @ 30 VDC

INITIAL CONTACT RESISTANCE: 30 m ohms max.

INSULATION RESISTANCE: 100 M ohms min.

DIELECTRIC STRENGTH: 500 V AC (50-60 Hz) between open terminals and between the frame and terminal.

OPERATING LIFE: 10,000 cycles with load

OPERATING FORCE:

200 ± 100 gf (1.96 ± 0.98N)

LOCK TRAVEL: 1 mm

TOTAL TRAVEL: 2 mm

OPERATING TEMPERATURE: -20°C to 70°C

Materials

KNOB: POM Black

HOUSING: PA Black

COVER: POM Grey (latch) / White (Mom)

TERMINAL: Brass, silver plated

CONTACT CLIP: Phosphor bronze, silver plated

SPRING: Stainless steel

HOOK LOCK: Stainless steel (latch)



PS-22 Series Subminiature Pushbutton Switches

Pushbutton
A



PART NUMBER	PACKAGING	SCHEMATIC
PS-2206-L NS PA	1,000 pieces	
PS-2206-F NS PA	1,000 pieces	

Dimensions

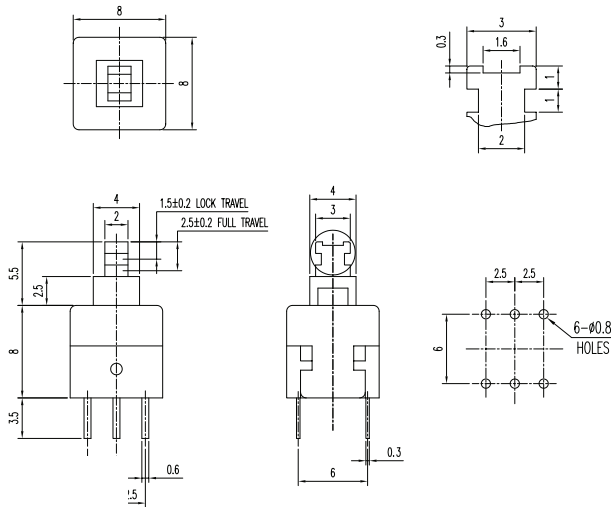
FOOTPRINT: 8.0 x 8.0 mm
HEIGHT: 13.5 mm

Specifications

CONTACT RATING: 0.1A @ 30 VDC
INITIAL CONTACT RESISTANCE: 70 m ohms max.
INSULATION RESISTANCE: 100 M ohms min.
DIELECTRIC STRENGTH: 500 V AC (50-60 Hz) between open terminals and between the frame and terminal.
OPERATING LIFE: 10,000 cycles with load
OPERATING FORCE:
200 ± 100 gf (1.96 ± 0.98N)
LOCK TRAVEL: 1.5 mm
TOTAL TRAVEL: 2.5 mm
OPERATING TEMPERATURE: -20°C to 70°C

Materials

KNOB: POM Black
HOUSING: PA Black
COVER: POM Grey (latch) / White (Mom)
TERMINAL: Brass, silver plated
CONTACT CLIP: Phosphor bronze., silver plated
SPRING: Stainless steel
HOOK LOCK: Stainless steel (latch)



PART NUMBER	PACKAGING	SCHEMATIC
PS-2214-L NS PA	1,000 pieces	
PS-2214-F NS PA	1,000 pieces	

Dimensions

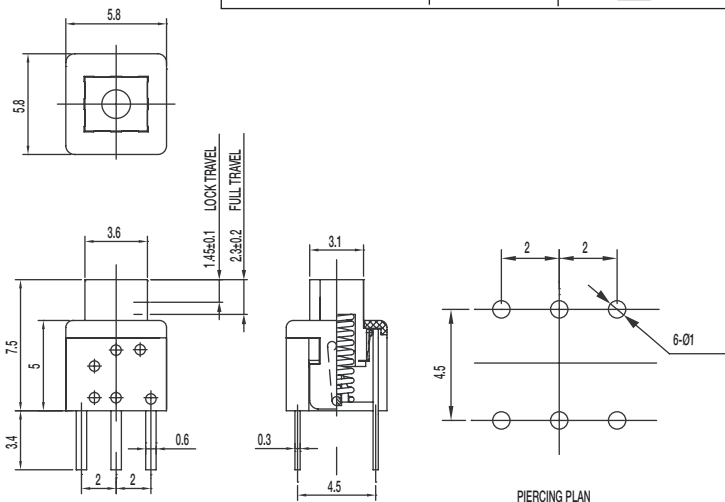
FOOTPRINT: 5.8 x 5.8 mm
HEIGHT: 7.5 mm

Specifications

CONTACT RATING: 0.1A @ 30 VDC
INITIAL CONTACT RESISTANCE: 80 m ohms max.
INSULATION RESISTANCE: 100 M ohms min.
DIELECTRIC STRENGTH: 500 V AC (50-60 Hz) between open terminals and between the frame and terminal.
OPERATING LIFE: 10,000 cycles with load
OPERATING FORCE:
150 ± 50 gf (1.47 ± 0.49N)
LOCK TRAVEL: 1.45 mm
TOTAL TRAVEL: 2.3 mm
OPERATING TEMPERATURE: -20°C to 70°C

Materials

KNOB: POM Natural (latch) / PA black
HOUSING: PA Black
COVER: PA Black
TERMINAL: Brass, silver plated
CONTACT CLIP: Phosphor bronze, silver clad
SPRING: Stainless steel
HOOK LOCK: Stainless steel (latch)



PS-22 Series Subminiature Pushbutton Switches



A
Pushbutton



PART NUMBER	PACKAGING	SCHEMATIC
PS-221605-L NS	1,000 pieces	
PS-221605-F NS	1,000 pieces	

Dimensions

FOOTPRINT: 5.8 x 5.8 mm

HEIGHT: 10 mm

Specifications

CONTACT RATING: 0.1A @ 30 VDC / 2A @ 2 VDC

INITIAL CONTACT RESISTANCE: 80 m ohms max.

INSULATION RESISTANCE: 100 M ohms min.

DIELECTRIC STRENGTH: 500 V AC (50-60 Hz) between open terminals and between the frame and terminal.

OPERATING LIFE: 10,000 cycles with load

OPERATING FORCE:

150 ± 50 gf (1.47 ± 0.49N)

LOCK TRAVEL: 1.3 mm

TOTAL TRAVEL: 2.1 mm

OPERATING TEMPERATURE: -20°C to 70°C

Materials

KNOB: POM Natural

HOUSING: PA Black

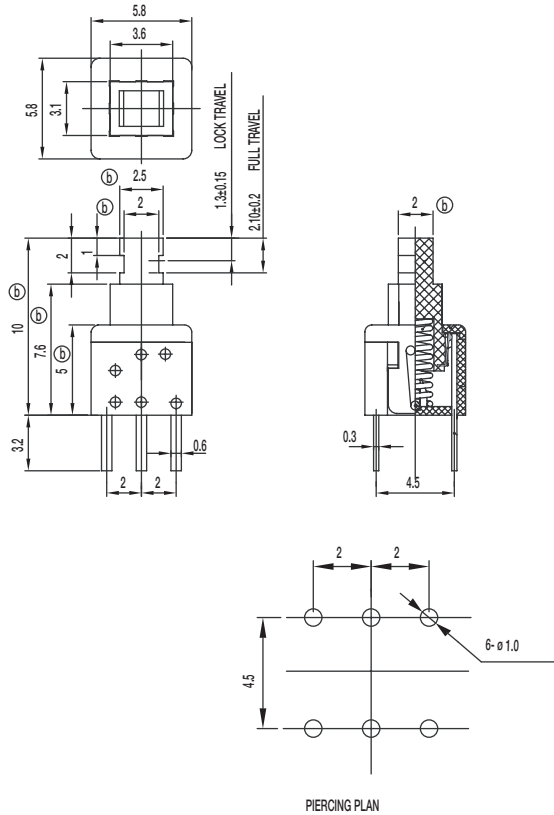
COVER: PC Grey

TERMINAL: Bras, silver plated

CONTACT CLIP: Phosphor bronze, silver clad

SPRING: Stainless steel

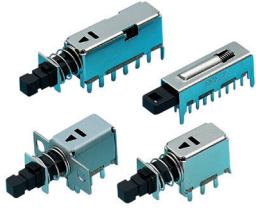
HOOK LOCK: Stainless steel (latch)





PS Series Miniature Pushbutton Switches

Pushbutton
A



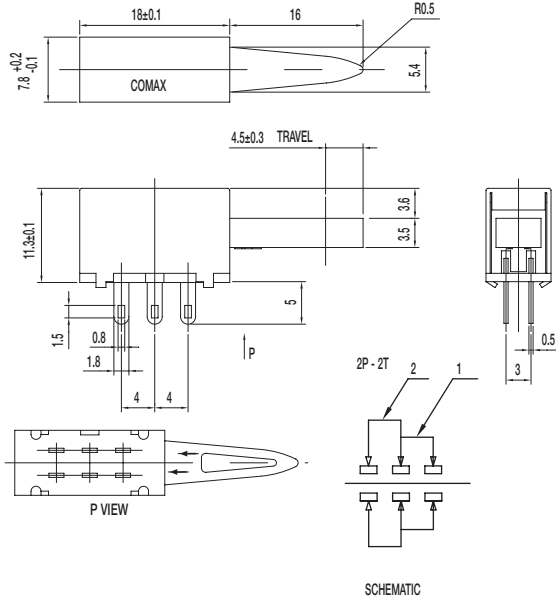
Features/Benefits

- Miniature size
- Momentary or latching options
- Broad range of products

Typical Applications

- Industrial
- Automotive
- Audio and visual equipment
- Telecommunications

PS-22105 DPDT NON-SHORTING



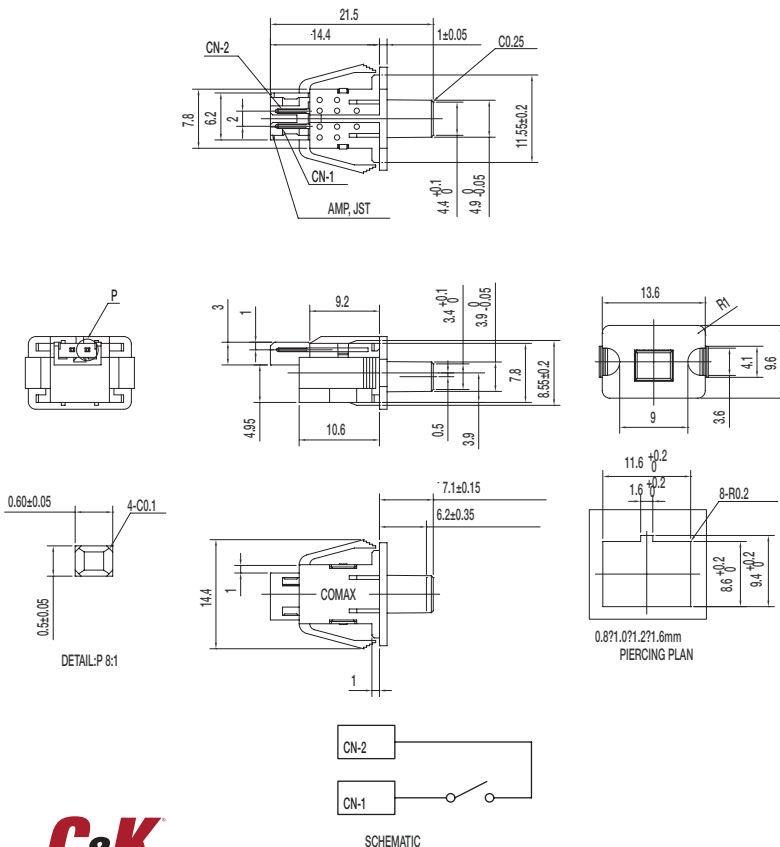
Specifications

CONTACT RATING: 0.3A @ 30 VDC
 INITIAL CONTACT RESISTANCE: 30 m ohms max.
 INSULATION RESISTANCE: 100 M ohms min.
 DIELECTRIC STRENGTH: 500 V AC (50-60 Hz) between open terminals and between the frame and terminal.
 OPERATING LIFE: 10,000 cycles with load
 OPERATING FORCE: 400 ± 150 gf (3.92 ± 1.47N)
 TOTAL TRAVEL: 4.5 ± 0.3 mm
 OPERATING TEMPERATURE: -20°C to 70°C

Materials

FRAME: SECC
 KNOB: POM (UL 94HB)
 CONTACT PLATE: Silver clad
 SPRING: SUS
 TERMINAL: Silver plated

PS-12C02-F NS SPST NON-SHORTING



Specifications

CONTACT RATING: 100 μ A @ 3 VDC min. / 10mA @ 5 VDC max
 INITIAL CONTACT RESISTANCE: 100 m ohms max.
 INSULATION RESISTANCE: 100 M ohms min.
 DIELECTRIC STRENGTH: 250 V AC (50-60 Hz) between open terminals and between the frame and terminal.
 OPERATING LIFE: 100,000 cycles with load
 OPERATING FORCE: 50 ± 15 gf (0.49 ± 0.147N)
 PRE-TRAVEL: 6.20 ± 0.35 mm
 OPERATING TEMPERATURE: -40°C to 85°C

Materials

KNOB: POM (UL 94HB)
 COVER: PA (UL 94V-0)
 HOUSING: PA (UL 94V-0)
 SPRING: SUS
 TERMINAL: Silver plated



11 Jun 18

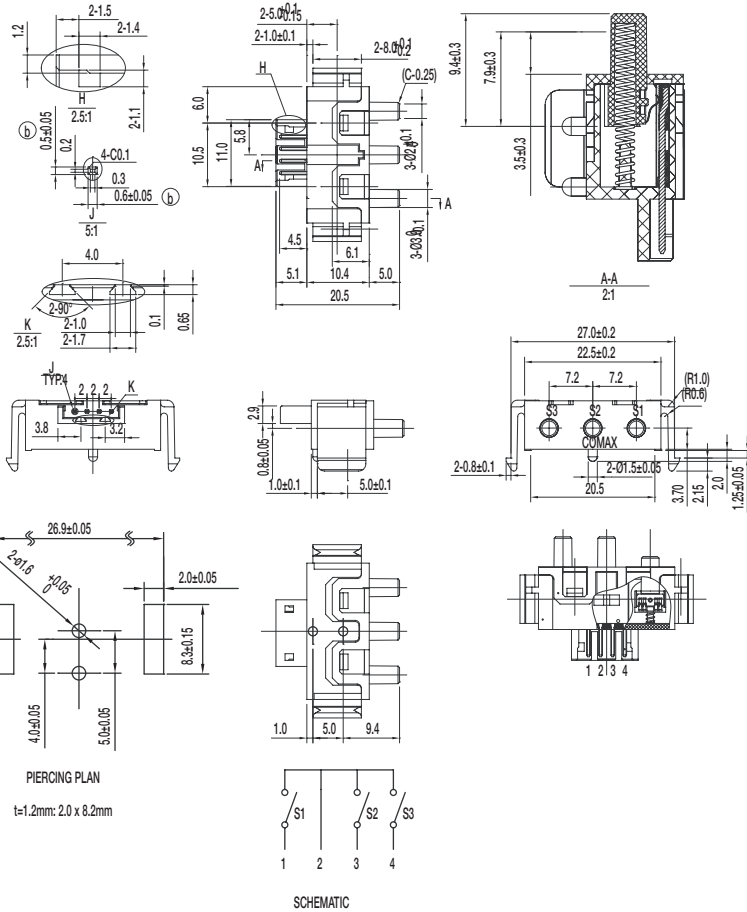
Dimensions are shown: mm
 Specifications and dimensions subject to change

PS Series Miniature Pushbutton Switches



A
Pushbutton

PS-32C02-F NS 1P3T NON-SHORTING



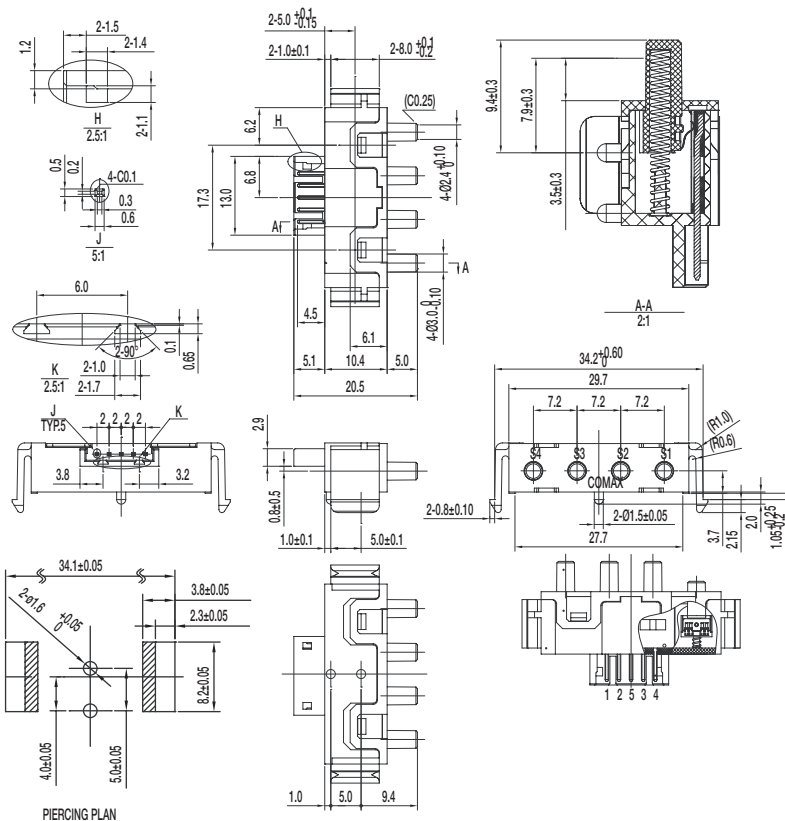
Specifications

- CONTACT RATING: 100 μ A @ 3 VDC min. / 10mA @ 5 VDC max
- INITIAL CONTACT RESISTANCE: 100 m ohms max.
- INSULATION RESISTANCE: 100 M ohms min.
- DIELECTRIC STRENGTH: 250 V AC (50-60 Hz) between open terminals and between the frame and terminal.
- OPERATING LIFE: 100,000 cycles with load
- OPERATING FORCE: 80 \pm 20 gf (0.784 \pm 0.196N)
- PRE-TRAVEL: 1.5 \pm 0.3 mm
- OVER-TRAVEL: 3.5 \pm 0.3 mm
- TOTAL TRAVEL: 5 \pm 0.3 mm
- OPERATING TEMPERATURE: -20°C to 65°C

Materials

- KNOB: POM (UL 94HB)
- COVER: PA (UL 94V-0)
- HOUSING: PA (UL 94V-0)
- SPRING: SUS
- TERMINAL: Silver plated

PS-42C02-F NS 1P4T NON-SHORTING



Specifications

- CONTACT RATING: 100 μ A @ 3 VDC min. / 10mA @ 5 VDC max
- INITIAL CONTACT RESISTANCE: 100 m ohms max.
- INSULATION RESISTANCE: 100 M ohms min.
- DIELECTRIC STRENGTH: 250 V AC (50-60 Hz) between open terminals and between the frame and terminal.
- OPERATING LIFE: 100,000 cycles with load
- OPERATING FORCE: 80 \pm 20 gf (0.784 \pm 0.196N)
- PRE-TRAVEL: 1.5 \pm 0.3 mm
- OVER-TRAVEL: 3.5 \pm 0.3 mm
- TOTAL TRAVEL: 5 \pm 0.3 mm
- OPERATING TEMPERATURE: -20°C to 65°C

Materials

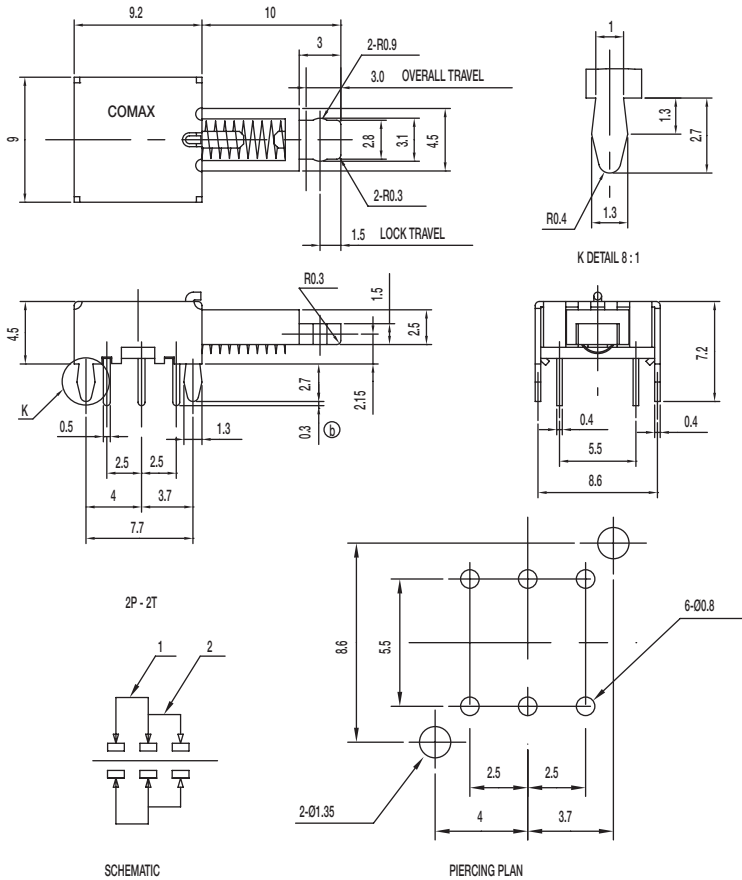
- KNOB: POM (UL 94HB)
- COVER: PA (UL 94V-0)
- HOUSING: PA (UL 94V-0)
- SPRING: SUS
- TERMINAL: Silver plated



PS Series Miniature Pushbutton Switches

Pushbutton A

PS-22C08-G10 NS DPDT NON-SHORTING



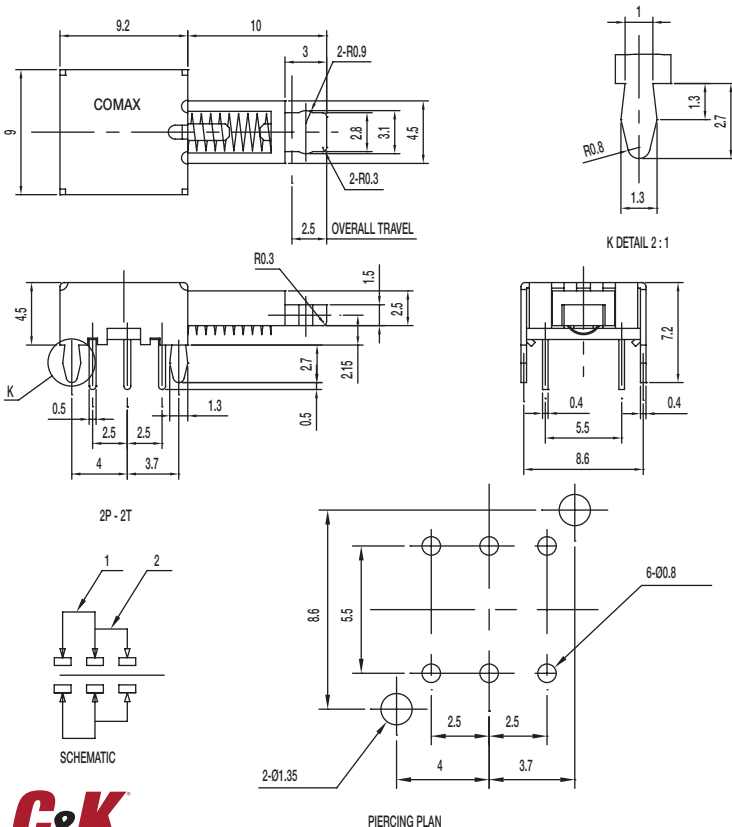
Specifications

- CONTACT RATING: 0.3A @ 30 VDC
- INITIAL CONTACT RESISTANCE: 30 m ohms max.
- INSULATION RESISTANCE: 100 M ohms min.
- DIELECTRIC STRENGTH: 500 V AC (50-60 Hz) between open terminals and between the frame and terminal.
- OPERATING LIFE: 10,000 cycles without load
- OPERATING FORCE: 200 ± 100 gf (1.96 ± 0.98N)
- LOCK TRAVEL: 1.5 ± 0.3 mm
- OVER-TRAVEL: 3 ± 0.3 mm
- OPERATING TEMPERATURE: -20°C to 70°C

Materials

- FRAME: SPCC
- KNOB: POM (UL 94HB)
- CONTACT: Silver plated
- SPRING: SUS
- TERMINAL: Silver plated

PS-22E08-G10 NS DPDT NON-SHORTING



Specifications

- CONTACT RATING: 0.3A @ 30 VDC
- INITIAL CONTACT RESISTANCE: 30 m ohms max.
- INSULATION RESISTANCE: 100 M ohms min.
- DIELECTRIC STRENGTH: 500 V AC (50-60 Hz) between open terminals and between the frame and terminal.
- OPERATING LIFE: 10,000 cycles without load
- OPERATING FORCE: 200 ± 100 gf (1.96 ± 0.98N)
- TOTAL TRAVEL: 2.5 ± 0.3 mm
- OPERATING TEMPERATURE: -20°C to 70°C

Materials

- FRAME: SPCC
- KNOB: POM (UL 94HB)
- CONTACT: Silver plated
- SPRING: SUS
- TERMINAL: Silver plated



11 Jun 18

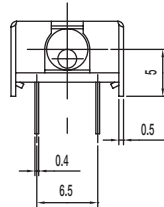
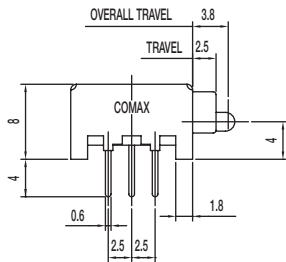
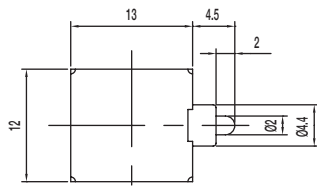
Dimensions are shown: mm
Specifications and dimensions subject to change

PS Series Miniature Pushbutton Switches

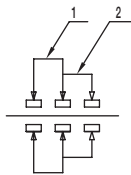


A
Pushbutton

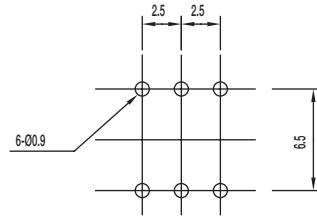
PS-22E09-G 4.5 NS DPDT NON-SHORTING



2P - 2T



SCHEMATIC



PIERCING PLAN

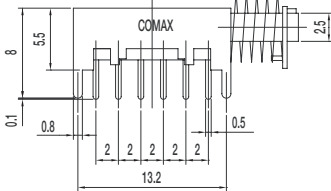
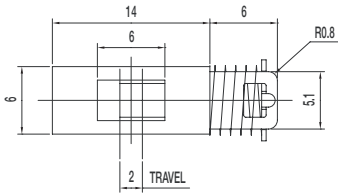
Specifications

CONTACT RATING: 0.3A @ 30 VDC
 INITIAL CONTACT RESISTANCE: 30 m ohms max.
 INSULATION RESISTANCE: 100 M ohms min.
 DIELECTRIC STRENGTH: 500 V AC (50-60 Hz) between open terminals and between the frame and terminal.
 OPERATING LIFE: 10,000 cycles with load
 OPERATING FORCE: 70 ± 20 gf (0.686 ± 0.196N)
 TRAVEL: 2.5 ± 0.3 mm
 TOTAL TRAVEL: 3.8 ± 0.3 mm
 OPERATING TEMPERATURE: -20°C to 70°C

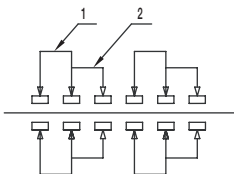
Materials

FRAME: SPCC
 KNOB: POM (UL 94HB)
 CONTACT: Silver plated
 SPRING: SUS
 TERMINAL: Silver plated

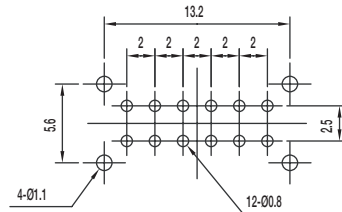
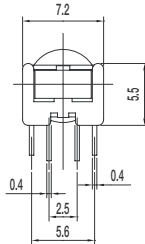
PS-42D09-NS 4P2T NON-SHORTING



4P - 2T



SCHEMATIC



PIERCING PLAN

Specifications

CONTACT RATING: 0.3A @ 30 VDC
 INITIAL CONTACT RESISTANCE: 30 m ohms max.
 INSULATION RESISTANCE: 100 M ohms min.
 DIELECTRIC STRENGTH: 500 V AC (50-60 Hz) between open terminals and between the frame and terminal.
 OPERATING LIFE: 10,000 cycles with load
 OPERATING FORCE: 250 ± 100 gf (2.45 ± 0.98N)
 TRAVEL: 2 ± 0.3 mm
 OPERATING TEMPERATURE: -20°C to 70°C

Materials

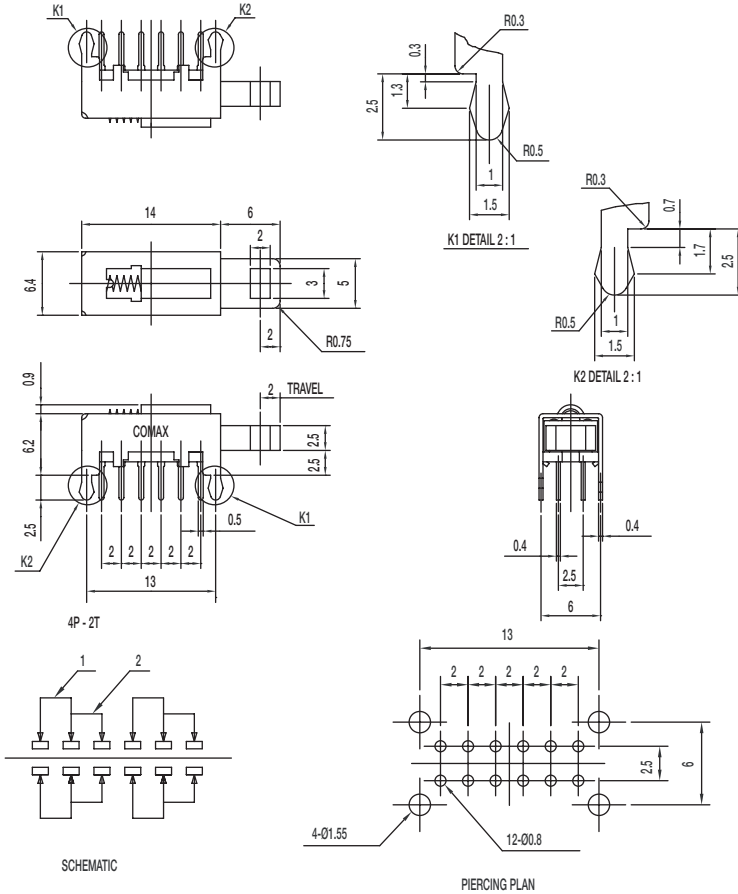
FRAME: SPCC
 KNOB: POM (UL 94HB)
 CONTACT PLATE: Silver plated
 SPRING: Steel
 TERMINAL: Silver plated



PS Series Miniature Pushbutton Switches

Pushbutton
A

PS-42D13-NS 4P2T NON-SHORTING



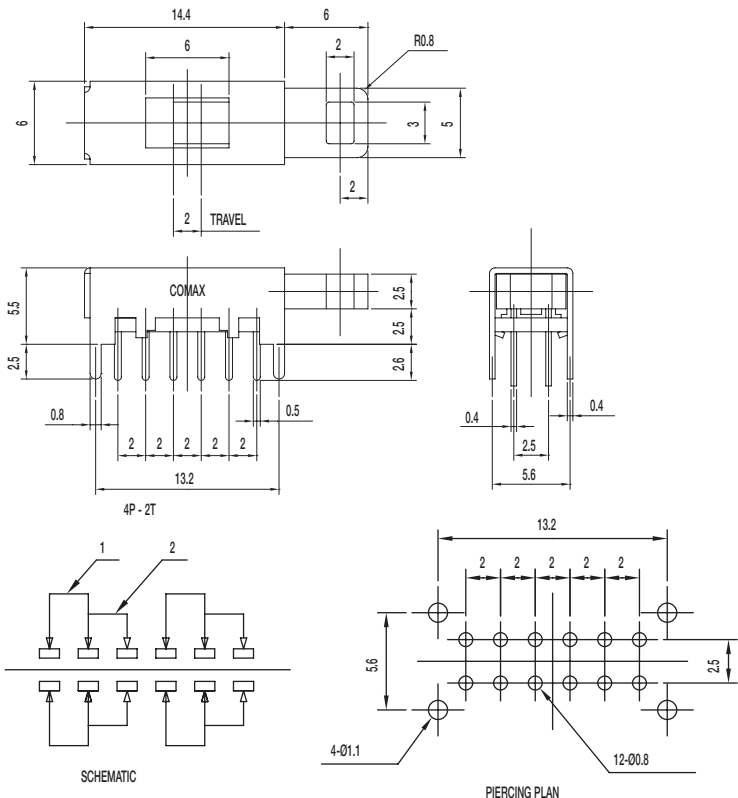
Specifications

CONTACT RATING: 0.3A @ 30 VDC
 INITIAL CONTACT RESISTANCE: 30 m ohms max.
 INSULATION RESISTANCE: 100 M ohms min.
 DIELECTRIC STRENGTH: 500 V AC (50-60 Hz) between open terminals and between the frame and terminal.
 OPERATING LIFE: 10,000 cycles with load
 OPERATING FORCE: 250 ± 100 gf (2.45 ± 0.98N)
 TRAVEL: 2 ± 0.3 mm
 OPERATING TEMPERATURE: -20°C to 70°C

Materials

FRAME: SPCC
 KNOB: POM (UL 94HB)
 CONTACT: Silver plated
 SPRING: Steel
 TERMINAL: Silver plated

PS-42D16-S 4P2T SHORTING



Specifications

CONTACT RATING: 0.3A @ 30 VDC
 INITIAL CONTACT RESISTANCE: 30 m ohms max.
 INSULATION RESISTANCE: 100 M ohms min.
 DIELECTRIC STRENGTH: 500 V AC (50-60 Hz) between open terminals and between the frame and terminal.
 OPERATING LIFE: 10,000 cycles with load
 OPERATING FORCE: 60 ± 30 gf (0.59 ± 0.29N)
 TRAVEL: 2 ± 0.3 mm
 OPERATING TEMPERATURE: -20°C to 70°C

Materials

FRAME: SPCC
 KNOB: POM (UL 94HB)
 CONTACT: Silver plated
 TERMINAL: Silver plated

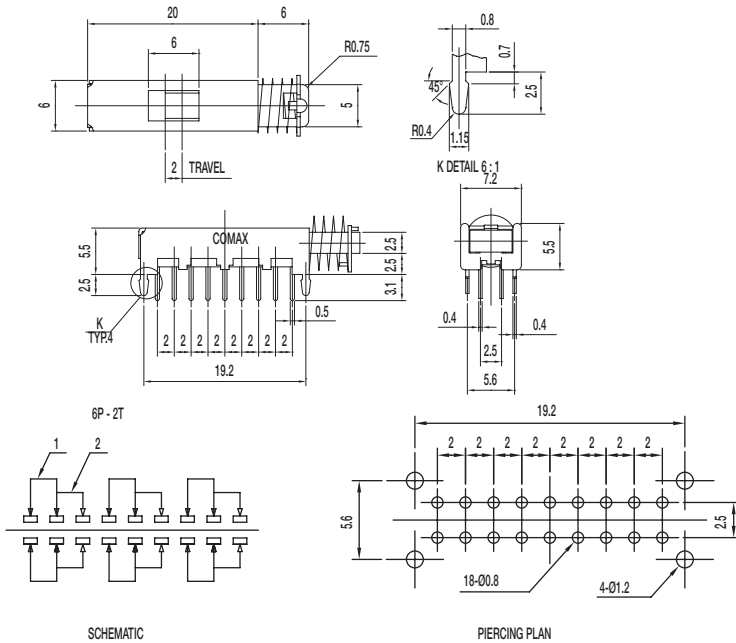


11 Jun 18

Dimensions are shown: mm
 Specifications and dimensions subject to change



PS-62D10-S 6P2T SHORTING



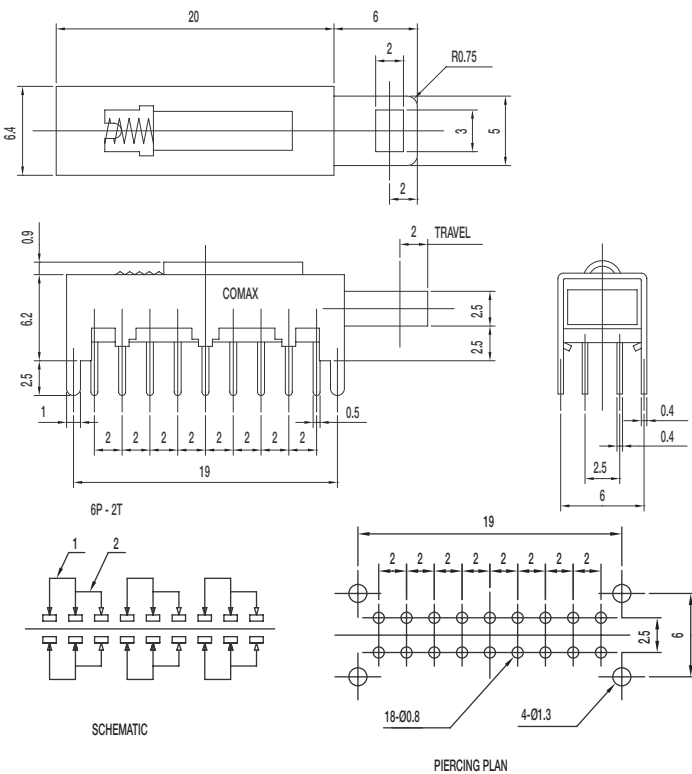
Specifications

CONTACT RATING: 0.3A @ 30 VDC
 INITIAL CONTACT RESISTANCE: 30 m ohms max.
 INSULATION RESISTANCE: 100 M ohms min.
 DIELECTRIC STRENGTH: 500 V AC (50-60 Hz) between open terminals and between the frame and terminal.
 OPERATING LIFE: 10,000 cycles with load
 OPERATING FORCE: 250 ± 100 gf (2.45 ± 0.98N)
 TRAVEL: 2 ± 0.3 mm
 OPERATING TEMPERATURE: -20°C to 70°C

Materials

FRAME: SPCC
 KNOB: POM (UL 94HB)
 CONTACT: Silver plated
 SPRING: Steel
 TERMINAL: Silver plated

PS-62D13-S 6P2T SHORTING



Specifications

CONTACT RATING: 0.3A @ 30 VDC
 INITIAL CONTACT RESISTANCE: 30 m ohms max.
 INSULATION RESISTANCE: 100 M ohms min.
 DIELECTRIC STRENGTH: 500 V AC (50-60 Hz) between open terminals and between the frame and terminal.
 OPERATING LIFE: 10,000 cycles with load
 OPERATING FORCE: 300 ± 100 gf (2.94 ± 0.98N)
 TRAVEL: 2 ± 0.3 mm
 OPERATING TEMPERATURE: -20°C to 70°C

Materials

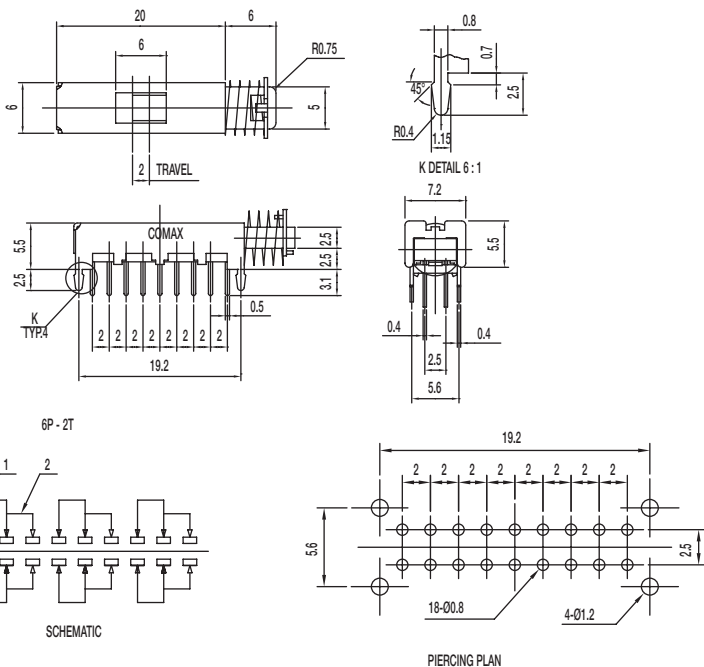
FRAME: SPCC
 KNOB: POM (UL 94HB)
 CONTACT PLATE: Silver plated
 SPRING: Steel
 TERMINAL: SUS



PS Series Miniature Pushbutton Switches

Pushbutton

PS-62D15-S 6P2T SHORTING



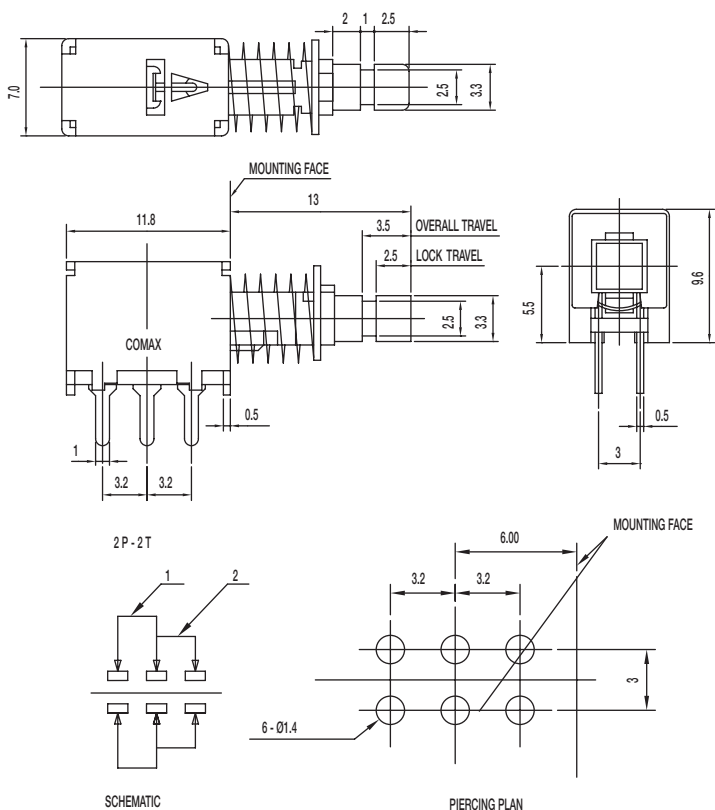
Specifications

- CONTACT RATING: 0.3A @ 30 VDC
- INITIAL CONTACT RESISTANCE: 30 m ohms max.
- INSULATION RESISTANCE: 100 M ohms min.
- DIELECTRIC STRENGTH: 500 V AC (50-60 Hz) between open terminals and between the frame and terminal.
- OPERATING LIFE: 10,000 cycles with load
- OPERATING FORCE: 250 ± 100 gf (2.45 ± 0.98N)
- TRAVEL: 2 ± 0.3 mm
- OPERATING TEMPERATURE: -20°C to 70°C

Materials

- FRAME: SPCC
- KNOB: POM (UL 94HB)
- CONTACT: Silver plated
- SPRING: Steel
- TERMINAL: Silver plated

PS-22E02-G13 S DPDT SHORTING WITH LOCK



Specifications

- CONTACT RATING: 0.3A @ 30 VDC
- INITIAL CONTACT RESISTANCE: 30 m ohms max.
- INSULATION RESISTANCE: 100 M ohms min.
- DIELECTRIC STRENGTH: 500 V AC (50-60 Hz) between open terminals and between the frame and terminal.
- OPERATING LIFE: 10,000 cycles with load
- OPERATING FORCE: 300 ± 100 gf (2.94 ± 0.98N)
- LOCK TRAVEL: 2.5 ± 0.3 mm
- TOTAL TRAVEL: 3.5 ± 0.3 mm
- OPERATING TEMPERATURE: -20°C to 70°C

Materials

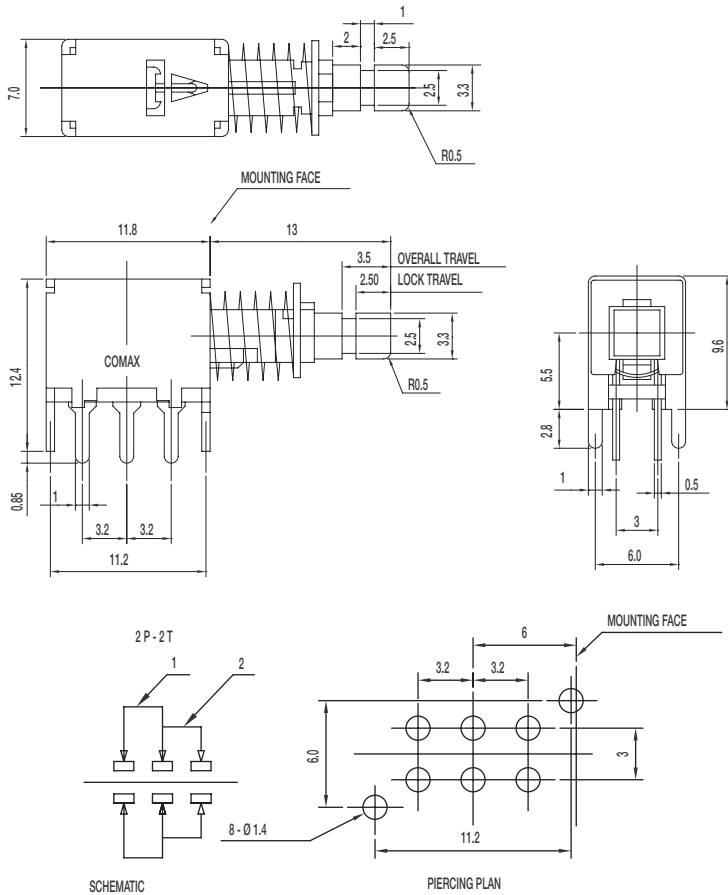
- FRAME: SPCC
- KNOB: POM (UL 94HB)
- CONTACT: Silver plated
- SPRING: Steel
- TERMINAL: Silver plated

PS Series Miniature Pushbutton Switches



A
Pushbutton

PS-22E04-G13 NS DPDT NON-SHORTING WITH LOCK



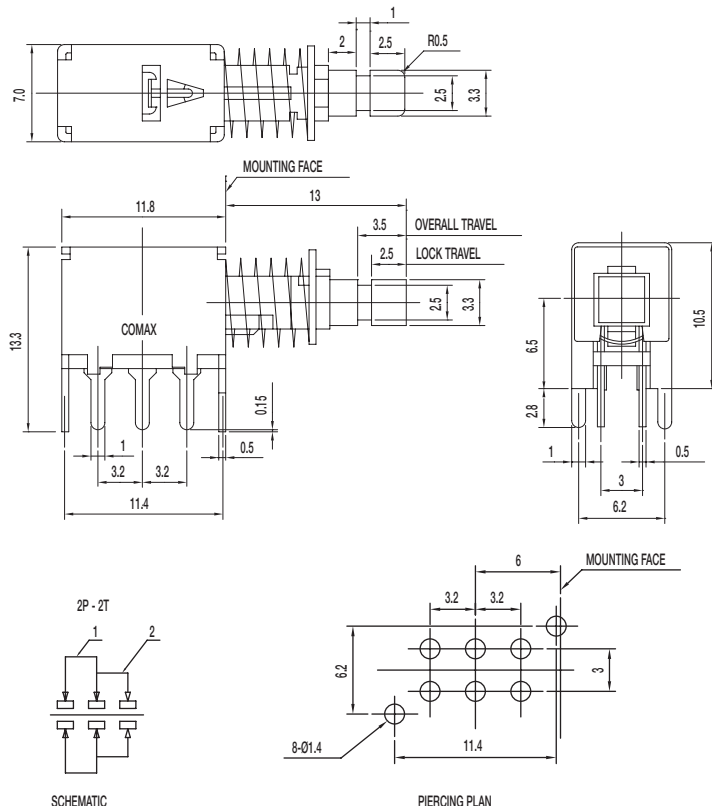
Specifications

CONTACT RATING: 0.3A @ 30 VDC
 INITIAL CONTACT RESISTANCE: 30 m ohms max.
 INSULATION RESISTANCE: 100 M ohms min.
 DIELECTRIC STRENGTH: 500 V AC (50-60 Hz) between open terminals and between the frame and terminal.
 OPERATING LIFE: 10,000 cycles with load
 OPERATING FORCE: 300 ± 100 gf (2.94 ± 0.98N)
 LOCK TRAVEL: 2.5 ± 0.3 mm
 TOTAL TRAVEL: 3.5 ± 0.3 mm
 OPERATING TEMPERATURE: -20°C to 70°C

Materials

FRAME: SPCC
 KNOB: POM (UL 94HB)
 CONTACT: Silver plated
 SPRING: Steel
 TERMINAL: Silver plated

PS-22E44-G13 NS DPDT NON-SHORTING WITH LOCK



Specifications

CONTACT RATING: 0.3A @ 30 VDC
 INITIAL CONTACT RESISTANCE: 30 m ohms max.
 INSULATION RESISTANCE: 100 M ohms min.
 DIELECTRIC STRENGTH: 500 V AC (50-60 Hz) between open terminals and between the frame and terminal.
 OPERATING LIFE: 10,000 cycles with load
 OPERATING FORCE: 300 ± 100 gf (2.94 ± 0.98N)
 LOCK TRAVEL: 2.5 ± 0.3 mm
 TOTAL TRAVEL: 3.5 ± 0.3 mm
 OPERATING TEMPERATURE: -20°C to 70°C

Materials

FRAME: SPCC
 KNOB: POM (UL 94HB)
 CONTACT: Silver plated
 SPRING: Steel
 TERMINAL: Silver plated



11 Jun 18

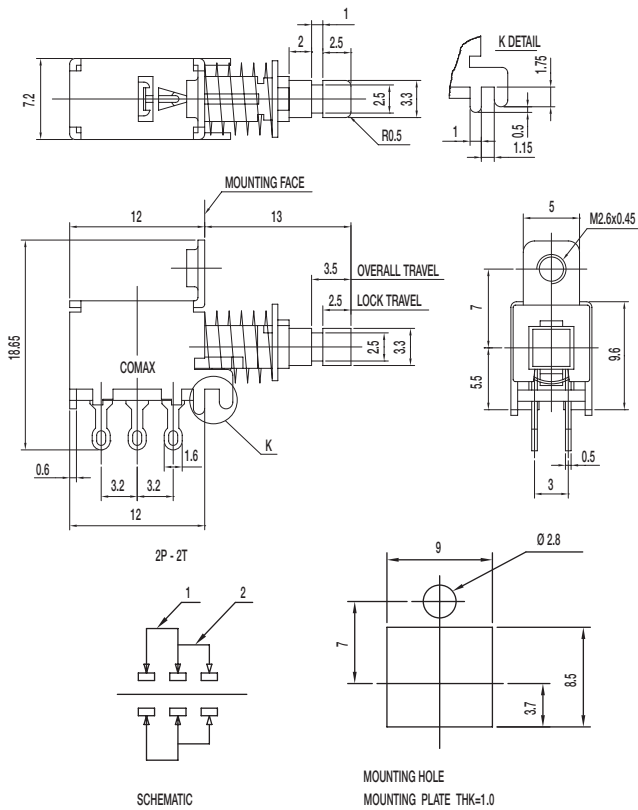
Dimensions are shown: mm
 Specifications and dimensions subject to change



PS Series Miniature Pushbutton Switches

Pushbutton

PS-22E75-G13 NS DPDT NON-SHORTING WITH LOCK



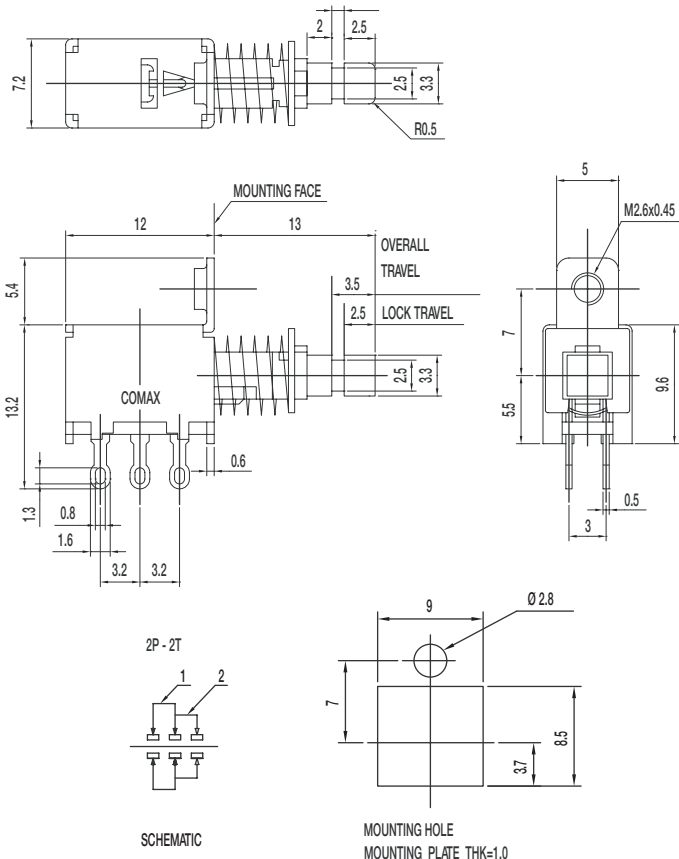
Specifications

- CONTACT RATING: 0.3A @ 30 VDC
- INITIAL CONTACT RESISTANCE: 30 m ohms max.
- INSULATION RESISTANCE: 100 M ohms min.
- DIELECTRIC STRENGTH: 500 V AC (50-60 Hz) between open terminals and between the frame and terminal.
- OPERATING LIFE: 10,000 cycles with load
- OPERATING FORCE: 300 ± 100 gf (2.94 ± 0.98N)
- LOCK TRAVEL: 2.5 ± 0.3 mm
- TOTAL TRAVEL: 3.5 ± 0.3 mm
- OPERATING TEMPERATURE: -20°C to 70°C

Materials

- FRAME: SPCC
- KNOB: POM (UL 94HB)
- CONTACT: Silver plated
- SPRING: Steel
- TERMINAL: Silver plated

PS-22E95-G13 NS DPDT NON-SHORTING WITH LOCK



Specifications

- CONTACT RATING: 0.3A @ 30 VDC
- INITIAL CONTACT RESISTANCE: 30 m ohms max.
- INSULATION RESISTANCE: 100 M ohms min.
- DIELECTRIC STRENGTH: 500 V AC (50-60 Hz) between open terminals and between the frame and terminal.
- OPERATING LIFE: 10,000 cycles with load
- OPERATING FORCE: 300 ± 100 gf (2.94 ± 0.98N)
- LOCK TRAVEL: 2.5 ± 0.3 mm
- TOTAL TRAVEL: 3.5 ± 0.3 mm
- OPERATING TEMPERATURE: -20°C to 70°C

Materials

- FRAME: SPCC
- KNOB: POM (UL 94HB)
- CONTACT: Silver plated
- SPRING: Steel
- TERMINAL: Silver plated

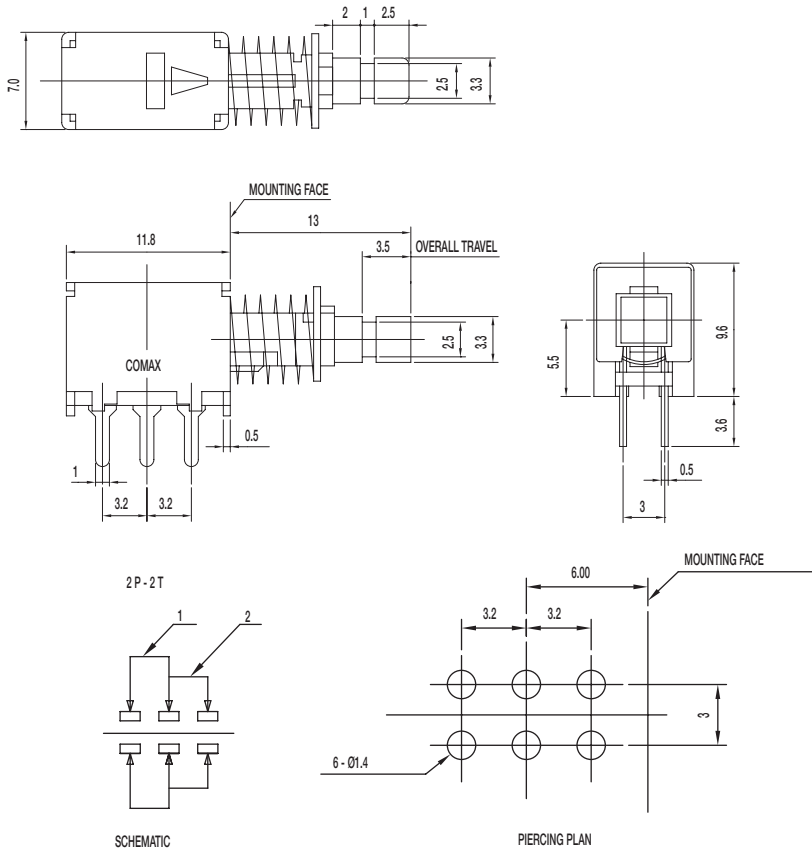


11 Jun 18

Dimensions are shown: mm
Specifications and dimensions subject to change



PS-22F02-G13 S DPDT SHORTING



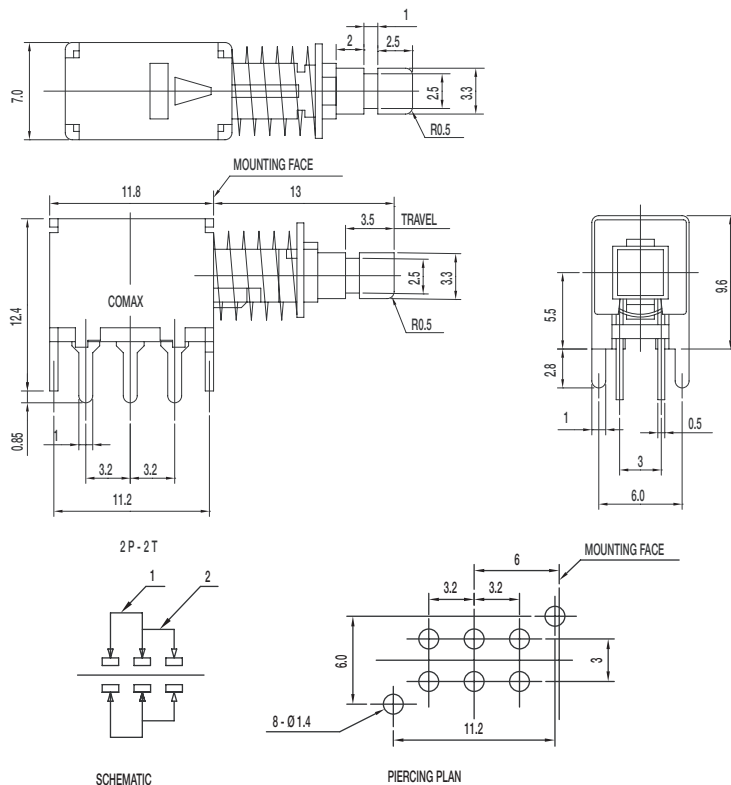
Specifications

CONTACT RATING: 0.3A @ 30 VDC
 INITIAL CONTACT RESISTANCE: 30 m ohms max.
 INSULATION RESISTANCE: 100 M ohms min.
 DIELECTRIC STRENGTH: 500 V AC (50-60 Hz)
 between openterminals and between the frame
 and terminal.
 OPERATING LIFE: 10,000 cycles with load
 OPERATING FORCE: 300 ± 100 gf (2.94 ± 0.98N)
 TOTAL TRAVEL: 3.5 ± 0.3 mm
 OPERATING TEMPERATURE: -20°C to 70°C

Materials

FRAME: SPCC
 KNOB: POM (UL 94HB)
 CONTACT: Silver plated
 SPRING: Steel
 TERMINAL: Silver plated

PS-22F04-G13 NS DPDT NON_SHORTING



Specifications

CONTACT RATING: 0.3A @ 30 VDC
 INITIAL CONTACT RESISTANCE: 30 m ohms max.
 INSULATION RESISTANCE: 100 M ohms min.
 DIELECTRIC STRENGTH: 500 V AC (50-60 Hz) between open
 terminals and between the frame and terminal.
 OPERATING LIFE: 10,000 cycles with load
 OPERATING FORCE: 300 ± 100 gf (2.94 ± 0.98N)
 TOTAL TRAVEL: 3.5 ± 0.3 mm
 OPERATING TEMPERATURE: -20°C to 70°C

Materials

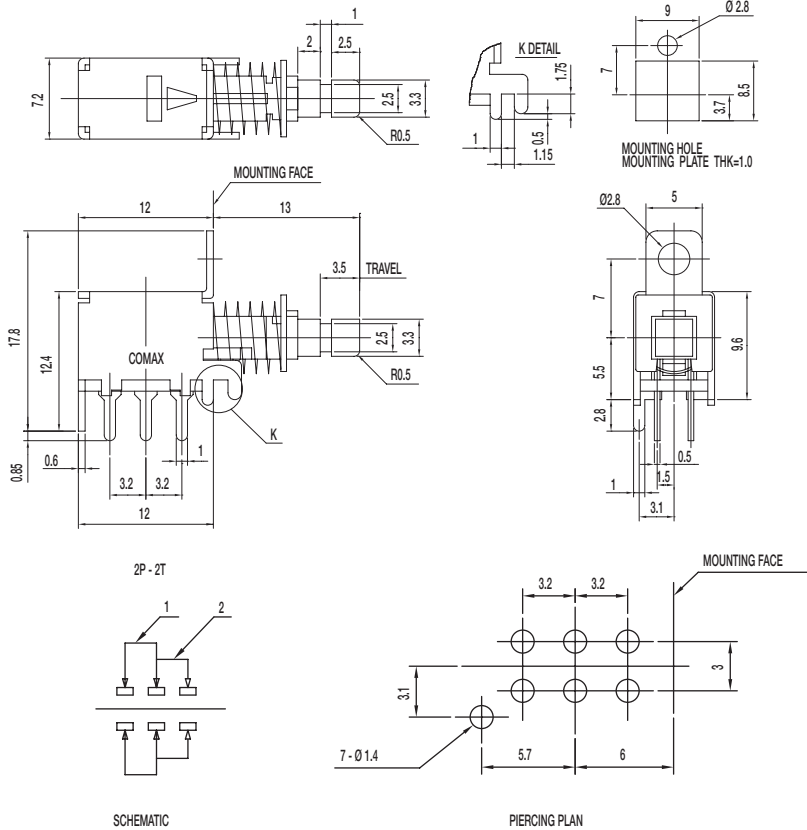
FRAME: SPCC
 KNOB: POM (UL 94HB)
 CONTACT: Silver plated
 SPRING: Steel
 TERMINAL: Silver plated



PS Series Miniature Pushbutton Switches

Pushbutton

PS-22F24-G13 NS DPDT NON_SHORTING



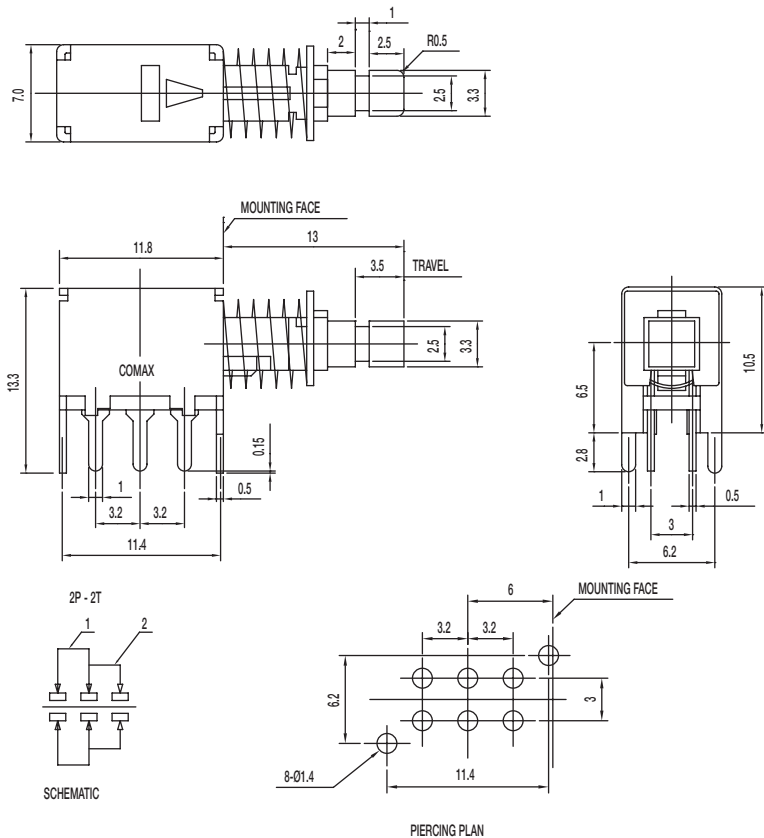
Specifications

- CONTACT RATING: 0.3A @ 30 VDC
- INITIAL CONTACT RESISTANCE: 30 m ohms max.
- INSULATION RESISTANCE: 100 M ohms min.
- DIELECTRIC STRENGTH: 500 V AC (50-60 Hz) between open terminals and between the frame and terminal.
- OPERATING LIFE: 10,000 cycles with load
- OPERATING FORCE: 300 ± 100 gf (2.94 ± 0.98 N)
- TOTAL TRAVEL: 3.5 ± 0.3 mm
- OPERATING TEMPERATURE: -20°C to 70°C

Materials

- FRAME: SPCC
- KNOB: POM (UL 94HB)
- CONTACT: Silver plated
- SPRING: Steel
- TERMINAL: Silver plated

PS-22F44-G13 NS DPDT NON_SHORTING



Specifications

- CONTACT RATING: 0.3A @ 30 VDC
- INITIAL CONTACT RESISTANCE: 30 m ohms max.
- INSULATION RESISTANCE: 100 M ohms min.
- DIELECTRIC STRENGTH: 500 V AC (50-60 Hz) between open terminals and between the frame and terminal.
- OPERATING LIFE: 10,000 cycles with load
- OPERATING FORCE: 300 ± 100 gf (2.94 ± 0.98 N)
- TOTAL TRAVEL: 3.5 ± 0.3 mm
- OPERATING TEMPERATURE: -20°C to 70°C

Materials

- FRAME: SPCC
- KNOB: POM (UL 94HB)
- CONTACT: Silver plated
- SPRING: Steel
- TERMINAL: Silver plated

X-ON Electronics

Largest Supplier of Electrical and Electronic Components

Click to view similar products for [Pushbutton Switches](#) category:

Click to view products by [C&K](#) manufacturer:

Other Similar products are found below :

[8940K2012](#) [LW1L-M1C10V-A](#) [LW1L-M1C70-A](#) [LW2L-A1C20M-GD](#) [LW2L-M1C20M-A](#) [60324L](#) [M22-D-R-GB0/K11](#) [M7E-HRN2](#)
[67021K512](#) [67081K512X](#) [701PB580](#) [7199K101](#) [810K12910](#) [810KSV30B](#) [MML21EA2ADK](#) [MML21KA3ABK](#) [MML23KA3AC05K-001](#)
[MML23KW3AA01W](#) [8418K2](#) [8442K3](#) [8450K1](#) [860K11911T01A](#) [861901](#) [861K11911T01A07](#) [861K13810T00A14](#) [861K13911](#)
[8646AB6X718UL](#) [8646ABUL](#) [9001KXRK](#) [907AYY100](#) [PMHD155A1](#) [9533CD4+U574+U4922](#) [95-414.000](#) [99-450.837](#) [99-453.837](#)
[PV3H2B0NN-341](#) [1203MRA](#) [A22NZBGANGA](#) [A22NZBNANGA](#) [A22NZMPATRA](#) [A2PMA1X03EC56](#) [A3A-5123-02](#) [A3A-7140](#) [A3A-7310](#) [A3A-7340](#) [A3U-TMW-A2C-5M](#) [A595](#) [12037A2ULCSA](#) [ABD122N-B](#) [1211390004](#)