

PTS125 Series 12 mm Tact Switches



Features/Benefits

- THT and SMT terminations
- Various heights
- Snap fit actuator option

Typical Applications

- Consumer products
- Instrumentation
- Computer products
- Industrial

Tactile Switches

Specification

FUNCTION: Momentary action
 CONTACT ARRANGEMENT: 1 make contact SPST, N.O.
 TERMINALS: PC pins for THT and G type for SMT
 TRAVEL: 0.30 mm ± 0.15 mm

Mechanical

OPERATING LIFE: 200,000 cycles
 OPERATING FORCE:
 180 gf ± 50
 250 gf ± 50

Electrical

MAX VOLTAGE: 12 VDC
 MAX CURRENT: 50 mA
 DIELECTRIC STRENGTH: 250 V AC (1mn)
 CONTACT RESISTANCE: <100 mΩ
 INSULATION RESISTANCE: >100MΩ
 BOUNCE TIME: < 5 ms

NOTE: Specifications listed above are for switches with standard options.
 For information on specific and custom switches, consult Customer Service Center.

Environmental

OPERATING TEMPERATURE: -20°C to 70°C

Process

SOLDERING: This component is suited to the following methods:
 Infrared reflow soldering in accordance with IEC 61760-1 for SMT version
 Wave soldering compatible with lead free soldering profile

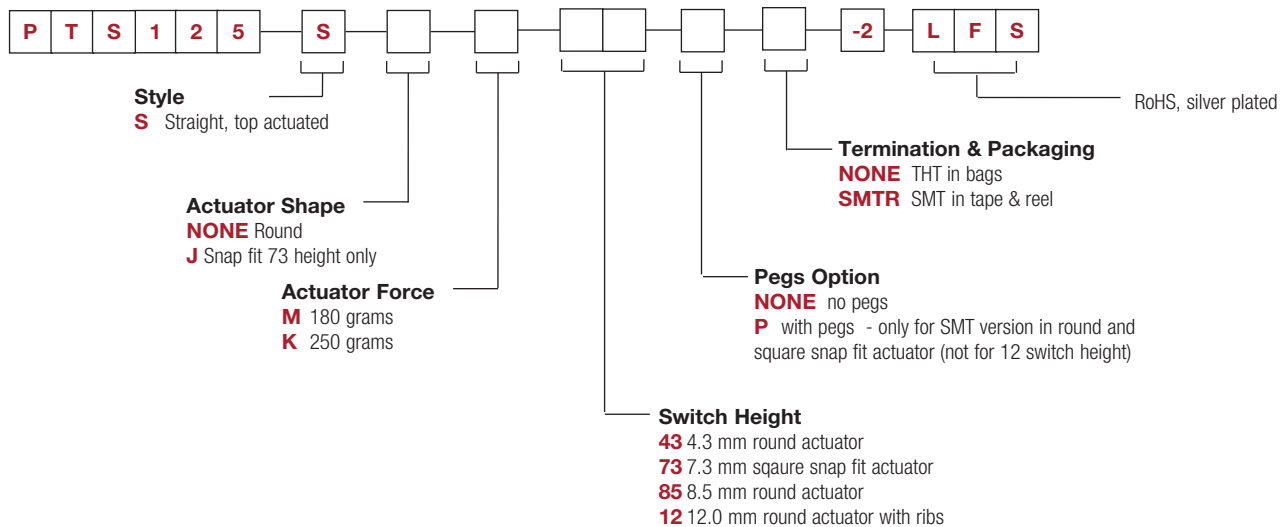
Packaging

Soldering Style	Height	Packaging	Parts per Packaging
THT	All heights	Plastic bag	500
SMT	4.3 mm	tape & reel	900
SMT	4.3 mm with pegs	tape & reel	600
SMT	7.3 mm	tape & reel	500
SMT	7.3 mm with pegs	tape & reel	500
SMT	8.5 mm	tape & reel	500
SMT	8.5 mm with pegs	tape & reel	400
SMT	12 mm	tape & reel	250

Dimensions of reels according to EIA 481B. External diameter 330 mm.

How To Order

Our easy build-a-switch concept allows you to mix and match options to create the switch you need. To order, select desired option from each category and place it in the appropriate box.



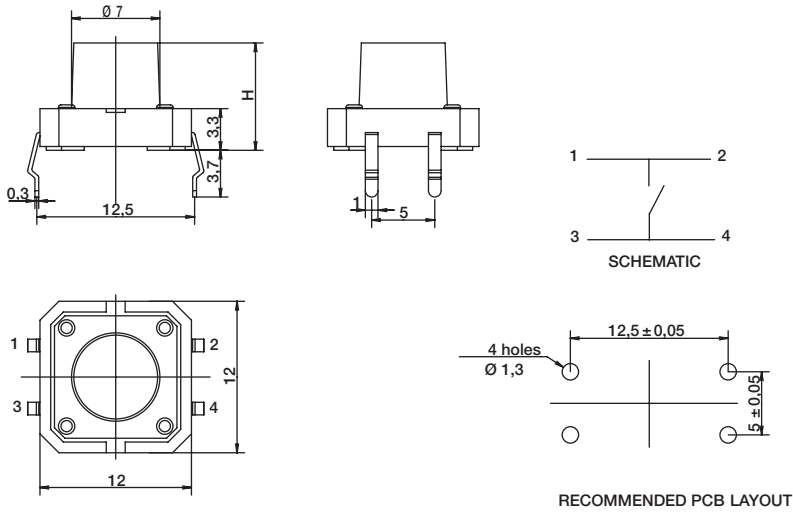
Other heights with the round actuator are available upon request. Different minimum order quantities than the stand may apply.



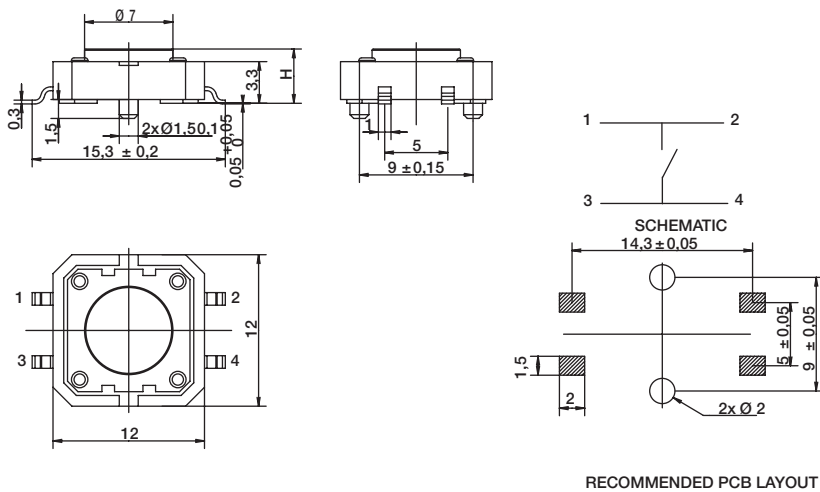
Dimensions are shown: mm
 Specifications and dimensions subject to change

PTS125 Series 12 mm Tact Switches

THT VERSION WITH ROUND ACTUATOR H= 4.3 & 8.5 MM (other height upon request)



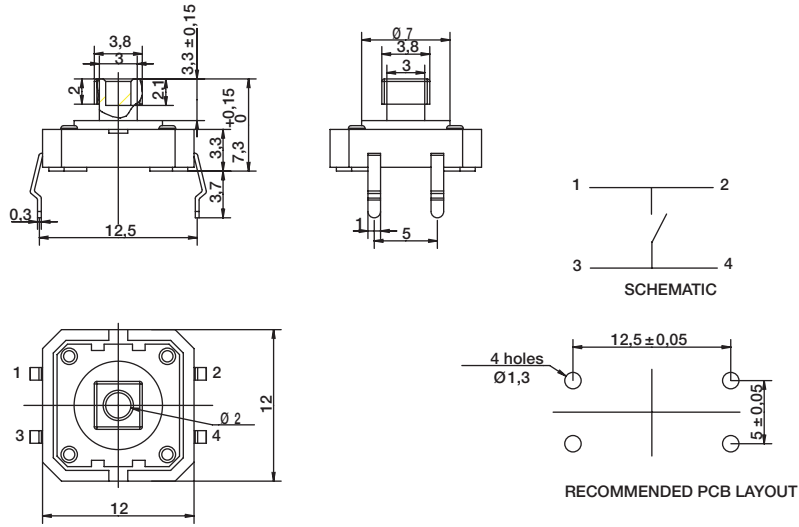
SMT VERSION WITH ROUND ACTUATOR AND PEGS H= 4.3 & 8.5 MM (other height upon request)



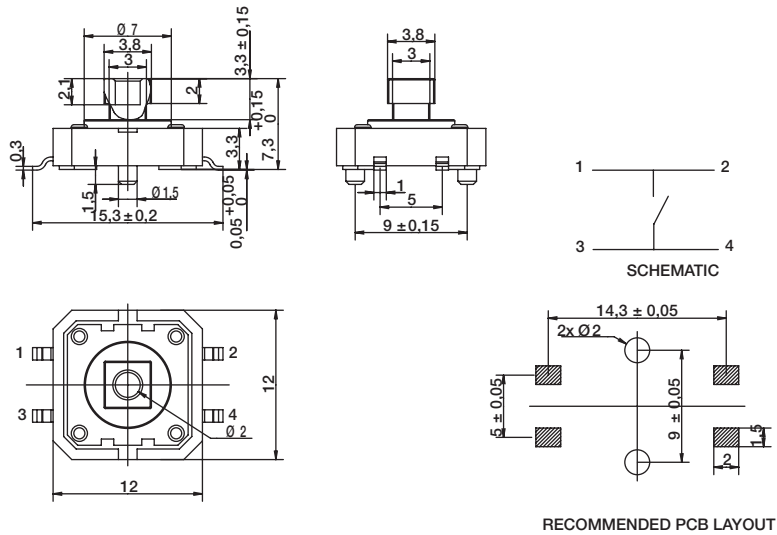
Dimensions are shown: mm
Specifications and dimensions subject to change

PTS125 Series 12 mm Tact Switches

THT VERSION WITH SQUARE SNAP FIT ACTUATOR H= 7.3 MM

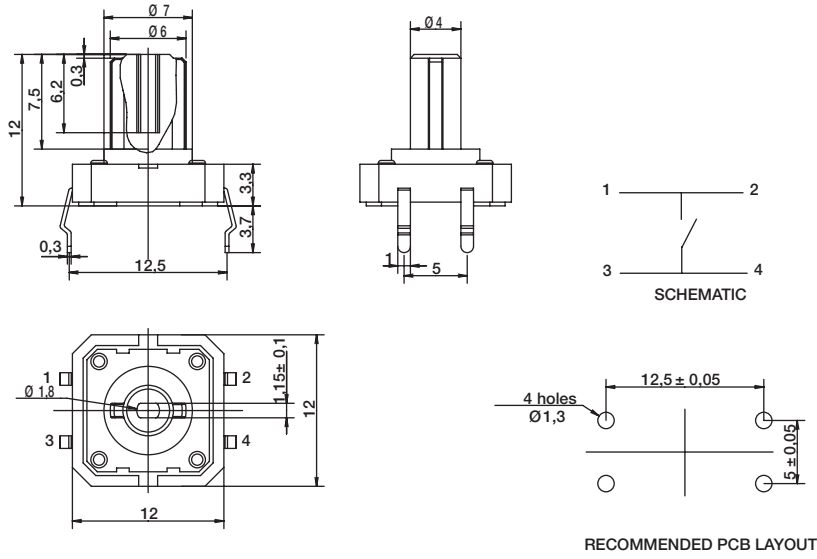


SMT VERSION WITH SQUARE SNAP FIT ACTUATOR AND PEGS H= 7.3 MM

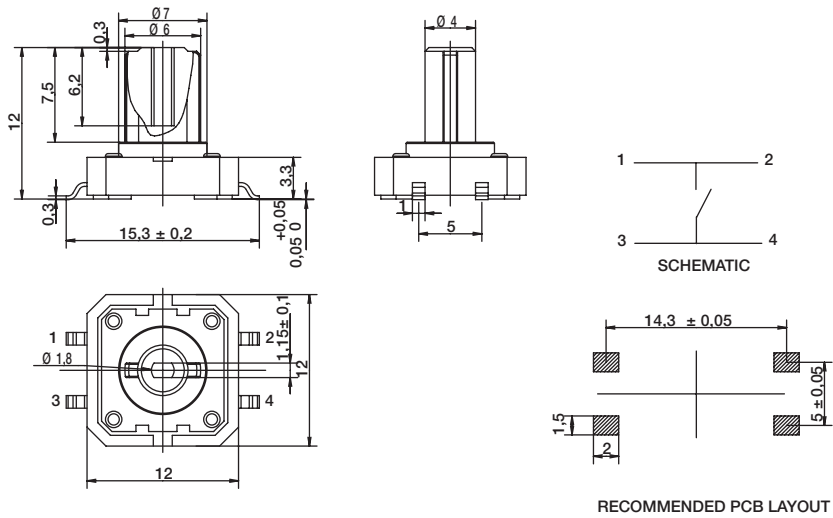


PTS125 Series 12 mm Tact Switches

THT VERSION WITH ROUND RIBBED ACTUATOR H= 12.0 MM



SMT VERSION WITH ROUND RIBBED ACTUATOR H= 12.0 MM



Dimensions are shown: mm
Specifications and dimensions subject to change

X-ON Electronics

Largest Supplier of Electrical and Electronic Components

Click to view similar products for [Tactile Switches](#) category:

Click to view products by [C&K](#) manufacturer:

Other Similar products are found below :

[KMR633NG LFG](#) [5GTH92001](#) [5GTH9202242](#) [6426-201-11343](#) [MJ1226](#) [MJTP1109B](#) [MJTP1138EAUTR](#) [MJTP1230BL](#) [MJTPSHW](#)
[GS6.90F300QP](#) [1-1977223-0](#) [1-1977120-4](#) [ADTSA62NV](#) [ADTSA62RV](#) [ADTSA63KV](#) [ADTSA644NV](#) [ADTSM24NVTR](#) [ADTSMW66NV](#)
[ADTSMW67RV](#) [ATM533VTR](#) [1571300-3](#) [B3F-3123](#) [B3F-6055A](#) [B3F-B32-01-KIT](#) [1977177-8](#) [1977266-1](#) [2-1977223-4](#) [2-1977223-7](#)
[ADTS644KV](#) [ADTSA61RV](#) [ADTSA62KV](#) [ADTSA63NV](#) [ADTSA63RV](#) [ADTSA65NV](#) [ADTSM21NSVTR](#) [ADTSM25RVTR](#)
[ADTSM31RVTR](#) [ADTSM32NVTR](#) [ADTSM61YVTR](#) [ADTSM63SVTR](#) [ADTSM644KVTR](#) [ADTSMW64RV](#) [ADTSMW69NV](#)
[FSMRA4JHA04](#) [GS4.70F300QP](#) [D38999/20JJ37SA](#) [TL1105B](#) [TL1105J](#) [ATH447K2Q](#) [ATM534VTR](#)