

NEW

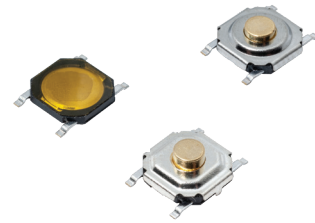
PTS526 Series Microminiature SMT Top Actuated

Features/Benefits

- 5.2 x 5.2 mm footprint
- Variable thickness
- Commercial grade

Typical Applications

- IoT devices
- Home automation
- Remote controls



Specifications

FUNCTION: momentary action
 CONTACT ARRANGEMENT: 1 make contact = SPST N.O.
 TERMINALS: J and G type for SMT
 TRAVEL: 0.25 mm +/- 0.1 mm

XXXX to be defined below	Operation force (gf)	Operating life (operations)
PTS526 SM XXXX SMTR2 LFS	160 ± 50	500,000 *
PTS526 SK XXXX SMTR2 LFS	250 ± 50	200,000
PTS526 SP XXXX SMTR2 LFS	320 ± 50	100,000

* PTS526SX08 SMTR2 LFS 160gf version with 200,000 life cycles

Electrical

MAXIMUM VOLTAGE: 12 VDC
 MAXIMUM CURRENT DC: 50 mA
 DIELECTRIC STRENGTH: 250 VA C (1mn)
 CONTACT RESISTANCE: ≤ 100 mΩ initial
 INSULATION RESISTANCE: ≥ 100 MΩ
 BOUNCE TIME: ≤ 10 ms

Environmental

OPERATING TEMPERATURE: -40°C to 85°C

Process

SOLDERING: This component is suited to the following methods:
 Infrared Reflow Soldering in accordance with IEC61760-1

Packaging

In reels of 5,000 pieces for 0.8 mm height
 In reels of 4,000 pieces for 1.5 ; 1.7 and 2.0 mm height
 Dimensions of reels according to EIA 481B
 External diameter 330 mm

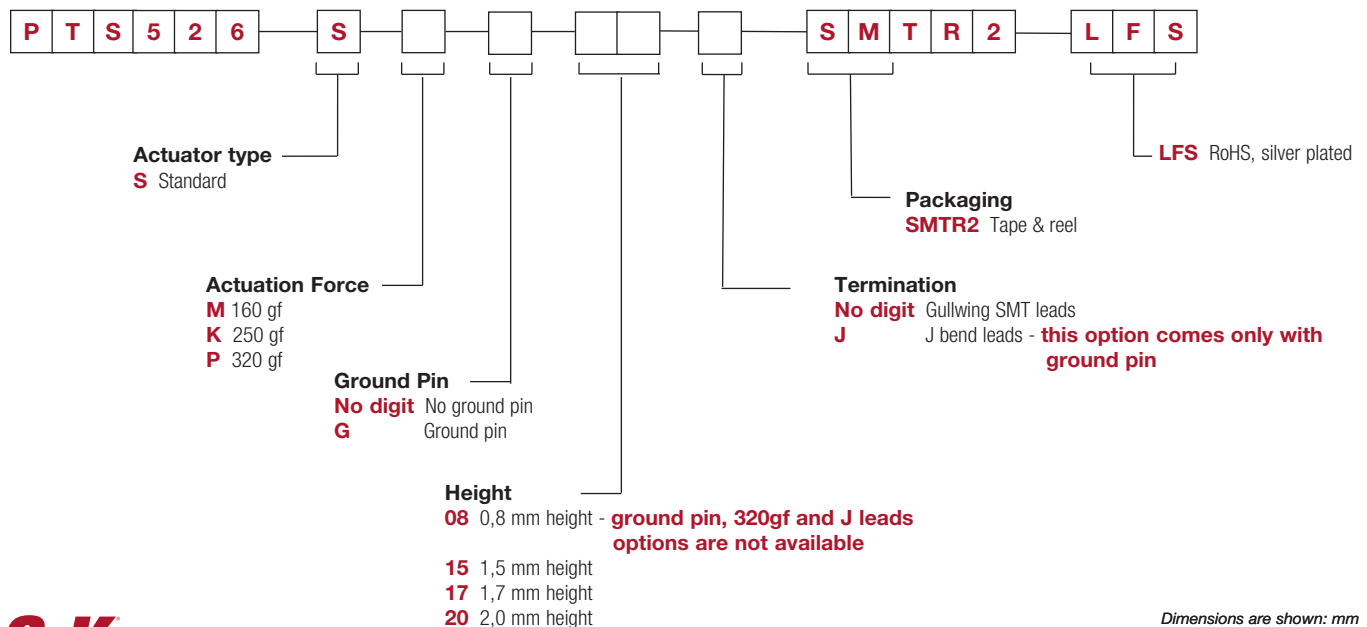
NOTE: Specifications listed above are for switches with standard options.
 For information on specific and custom switches, consult Customer Service Center.

B
Tactile Switches

How To Order

Our easy build-a-switch concept allows you to mix and match options to create the switch you need. To order, select desired option from each category and place it in the appropriate box.

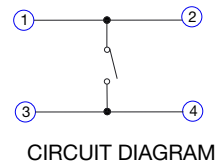
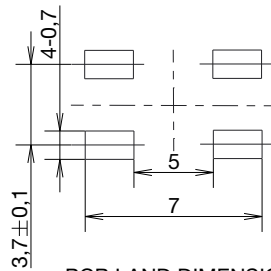
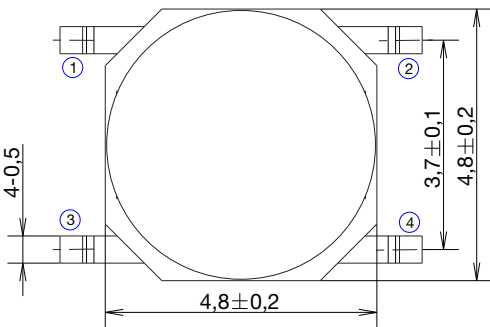
For any part number different from those listed above, please consult your local representative.



PTS526 Series Microminiature SMT Top Actuated

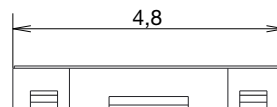
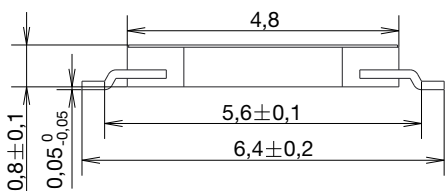
NEW

0.8 mm height – G leads lead only, no ground pin

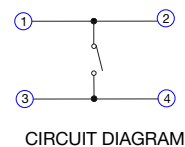
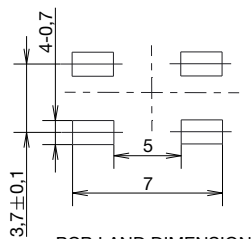
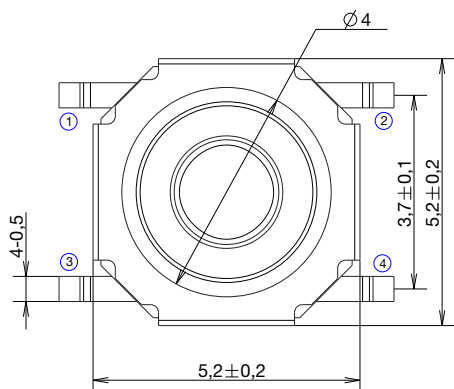


PCB LAND DIMENSION

CIRCUIT DIAGRAM

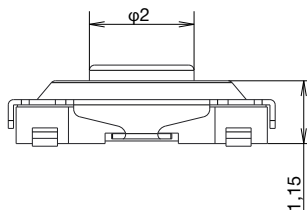
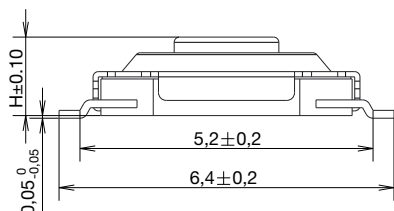


1.5 ; 1.7 and 2.0 mm height – G leads, no ground pin



PCB LAND DIMENSION

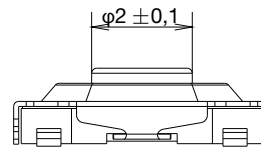
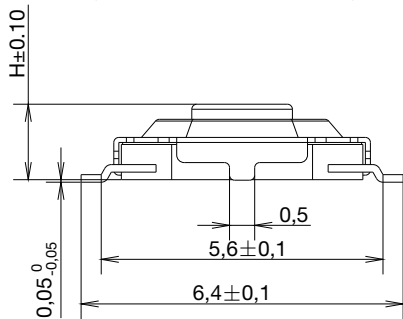
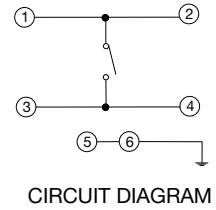
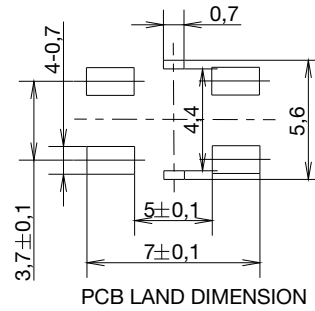
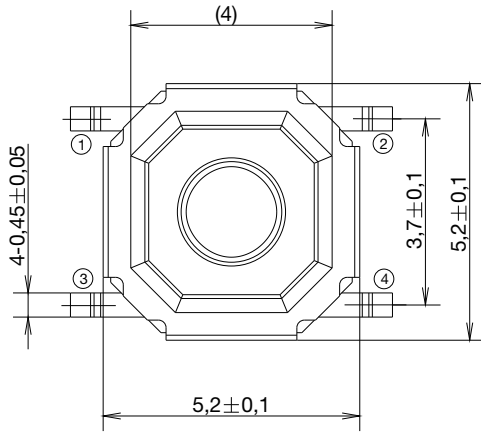
CIRCUIT DIAGRAM



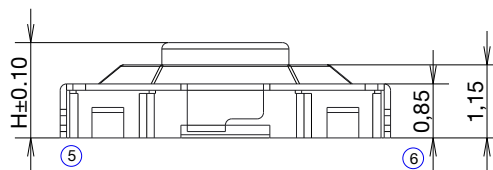
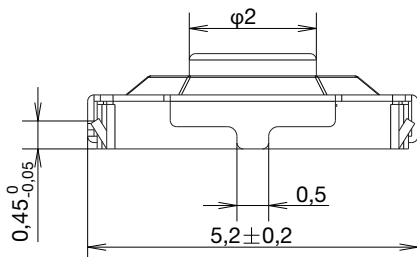
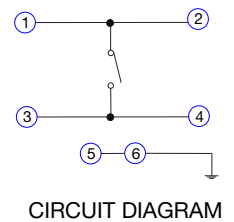
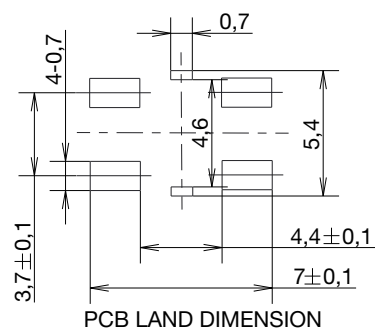
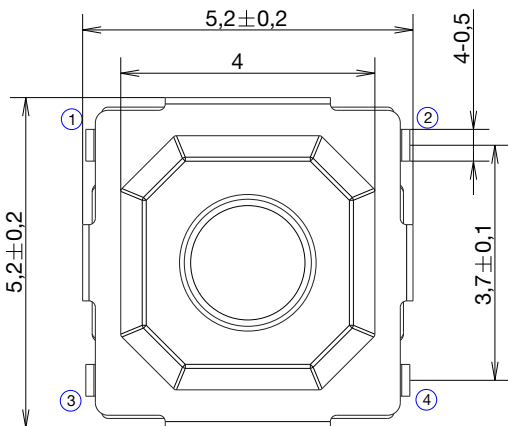
NEW

PTS526 Series Microminiature SMT Top Actuated

1.5 ; 1.7 and 2.0 mm height – G leads, with ground pin



1.5 ; 1.7 and 2.0 mm height – J leads, with ground pin



X-ON Electronics

Largest Supplier of Electrical and Electronic Components

Click to view similar products for [Tactile Switches](#) category:

Click to view products by [C&K](#) manufacturer:

Other Similar products are found below :

[6407-250V-25273P](#) [ADTSA62NV](#) [B3F-3123](#) [1977177-8](#) [1977266-1](#) [ADTSA63NV](#) [ADTSM21NSVTR](#) [ADTSM25RVTR](#) [ADTSM32NVTR](#)
[ADTSMW64RV](#) [1977120-6](#) [FSMRA4JHA04](#) [GS4.70F300QP](#) [KSC241J SP DELTA LFS](#) [3FTL600RAS](#) [3FTL640RAS](#) [6407-250V-25343P](#)
[ADTSM31NVTR](#) [2-1977120-7](#) [TSJW-5.2-260-TR](#) [Y651050400P](#) [KMT011MNGJLHS](#) [70-201.0](#) [ADTSG648NV](#) [ADTSM62KSVTR](#)
[ADTSM648NV](#) [95C06E3RAT](#) [3ATH9Q](#) [FSMRA8JHA04](#) [HARS0073](#) [Y33R411N9FPLFT](#) [Y33R51139FPLFT](#) [Y31C01402FPLFS](#)
[PTS645SK50SMTR92](#) [ADTSM32NVB](#) [KMS233GPWTLFG](#) [Y78B64124FP](#) [Y31CJ244KFP LFS](#) [Y96D113G0FP LFS](#) [Y33A812C5FP LFT](#)
[Y56B2D120FP LFS](#) [Y31C5144KFP LFS](#) [PTS645 DVM83-BN125-2 LFS](#) [B3W 1000G](#) [KSC621G OL LFS](#) [B3F 1002C](#) [B3F 0047H](#) [B3W](#)
[1002C](#) [B3F 5001G](#) [B3W 1100C](#)