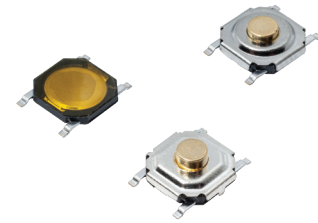


**Features/Benefits**

- 5.2 x 5.2 mm footprint
- Variable thickness
- Commercial grade

**Typical Applications**

- IoT devices
- Home automation
- Remote controls



**Specifications**

FUNCTION: momentary action  
 CONTACT ARRANGEMENT: 1 make contact = SPST N.O.  
 TERMINALS: J and G type for SMT  
 TRAVEL: 0.25 mm +/- 0.1 mm

XXXX to be defined below	Operation force (gf)	Operating life (operations)
PTS526 <b>SM</b> XXXX SMTR2 LFS	160 ± 50	500,000 *
PTS526 <b>SK</b> XXXX SMTR2 LFS	250 ± 50	200,000
PTS526 <b>SP</b> XXXX SMTR2 LFS	320 ± 50	100,000

\* PTS526SX08 SMTR2 LFS 160gf version with 200,000 life cycles

**Electrical**

MAXIMUM VOLTAGE: 12 VDC  
 MAXIMUM CURRENT DC: 50 mA  
 DIELECTRIC STRENGTH: 250 VA C (1mn)  
 CONTACT RESISTANCE: ≤ 100 mΩ initial  
 INSULATION RESISTANCE: ≥ 100 MΩ  
 BOUNCE TIME: ≤ 10 ms

**Environmental**

OPERATING TEMPERATURE: -40°C to 85°C

**Process**

SOLDERING: This component is suited to the following methods:  
 Infrared Reflow Soldering in accordance with IEC61760-1

**Packaging**

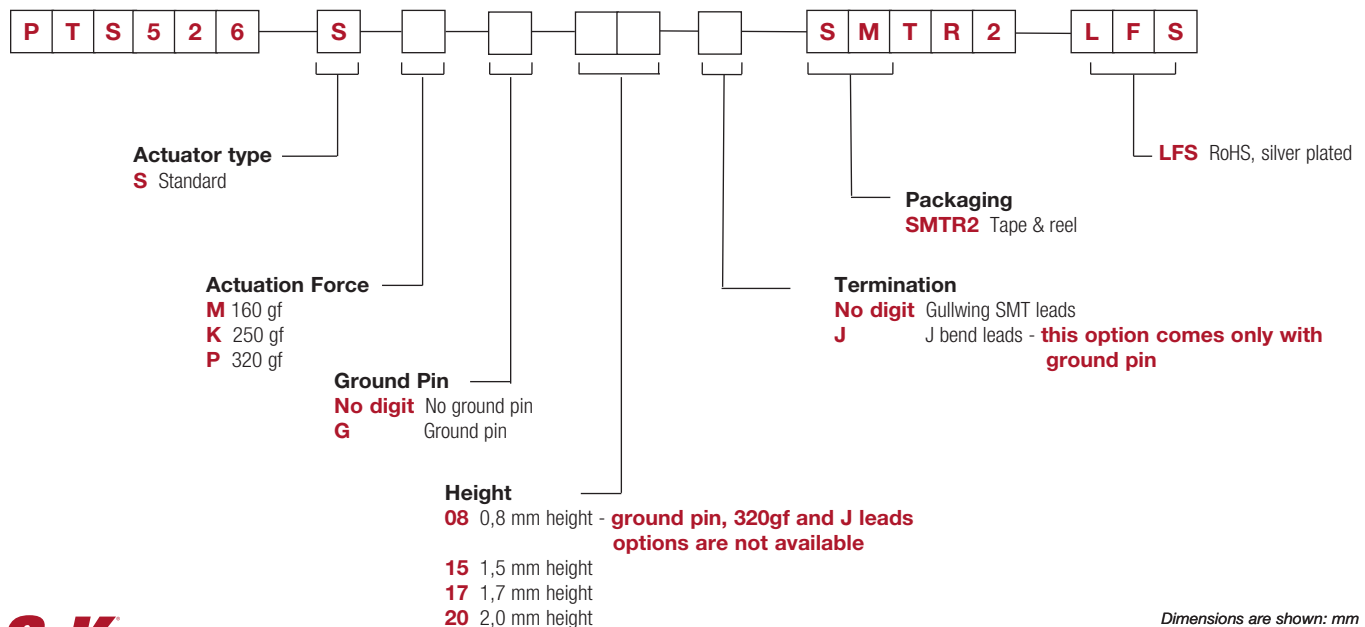
In reels of 5,000 pieces for 0.8 mm height  
 In reels of 4,000 pieces for 1.5 ; 1.7 and 2.0 mm height  
 Dimensions of reels according to EIA 481B  
 External diameter 330 mm

**NOTE:** Specifications listed above are for switches with standard options.  
 For information on specific and custom switches, consult Customer Service Center.

**How To Order**

Our easy build-a-switch concept allows you to mix and match options to create the switch you need. To order, select desired option from each category and place it in the appropriate box.

For any part number different from those listed above, please consult your local representative.

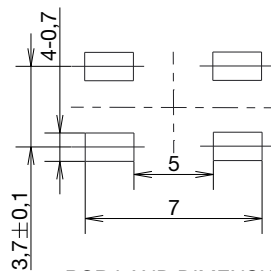
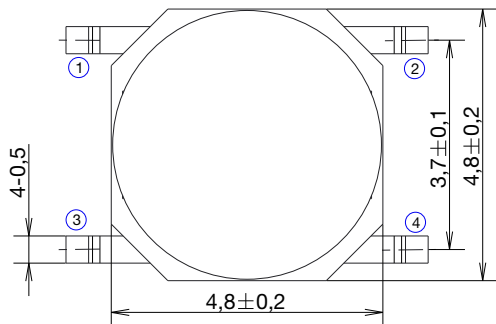


# PTS526 Series Microminiature SMT Top Actuated

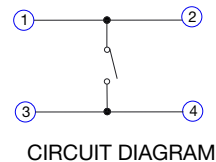
**NEW**

0.8 mm height – G leads lead only, no ground pin

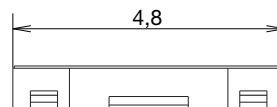
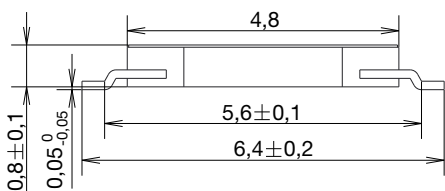
Tactile Switches



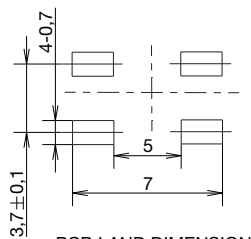
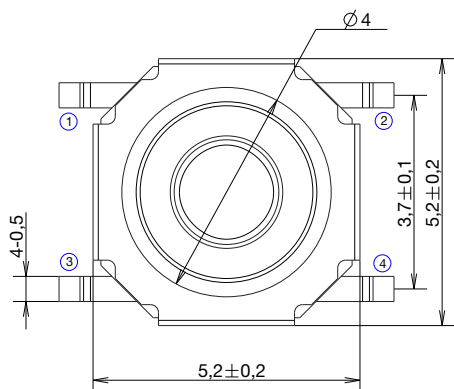
PCB LAND DIMENSION



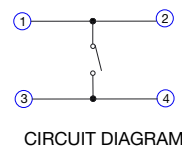
CIRCUIT DIAGRAM



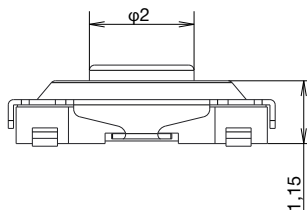
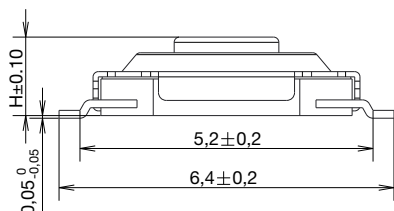
1.5 ; 1.7 and 2.0 mm height – G leads, no ground pin



PCB LAND DIMENSION



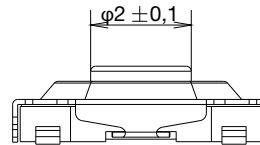
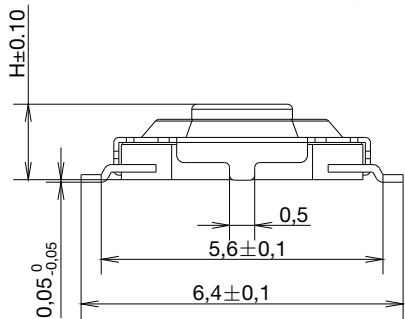
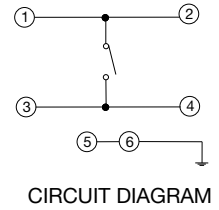
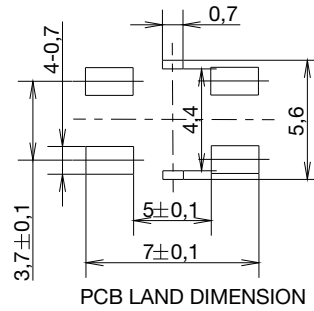
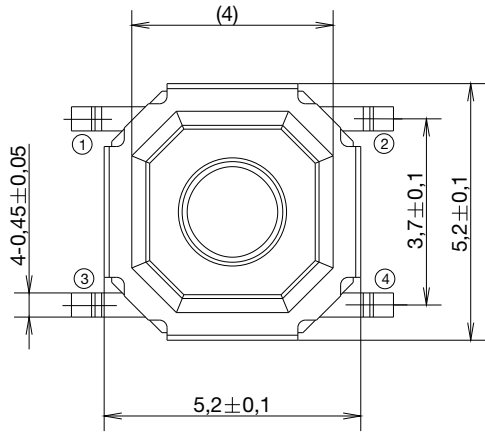
CIRCUIT DIAGRAM



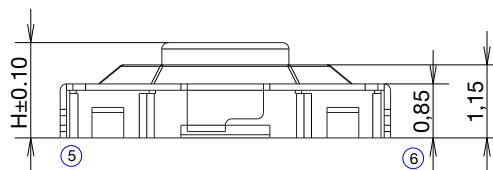
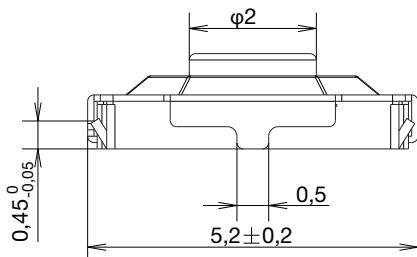
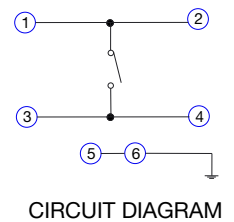
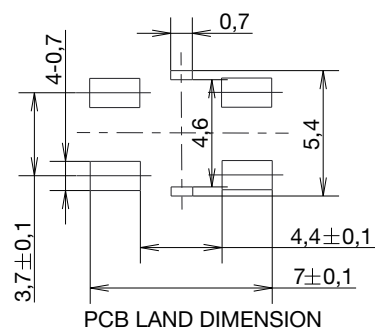
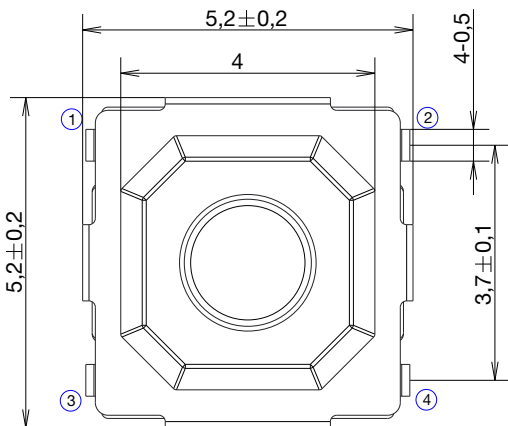
**NEW**

# PTS526 Series Microminiature SMT Top Actuated

## 1.5 ; 1.7 and 2.0 mm height – G leads, with ground pin



## 1.5 ; 1.7 and 2.0 mm height – J leads, with ground pin

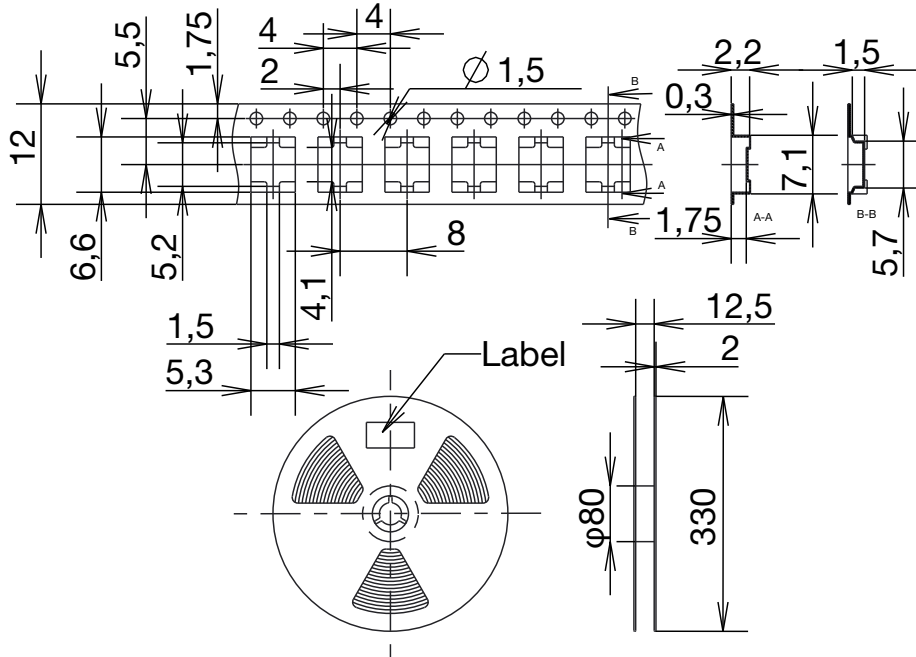


# PTS526 Series Microminiature SMT Top Actuated

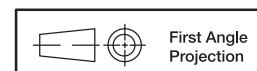
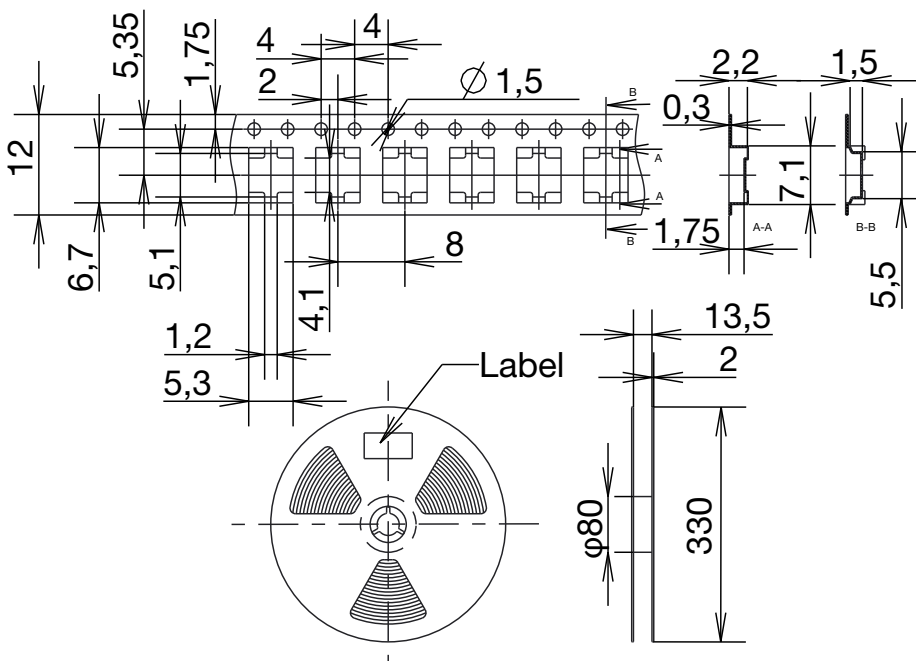
**NEW**

TAPE & REEL

**0,8 mm height**  
5,000 pieces per reel



**1.5; 1.7 and 2.0 mm height**  
4,000 pieces per reel



First Angle  
Projection

Dimensions are shown: mm  
Specifications and dimensions subject to change



## X-ON Electronics

Largest Supplier of Electrical and Electronic Components

*Click to view similar products for [Tactile Switches](#) category:*

*Click to view products by [C&K](#) manufacturer:*

Other Similar products are found below :

[6407-250V-25273P](#) [ADTSA62NV](#) [B3F-3123](#) [1977177-8](#) [1977266-1](#) [ADTSA63NV](#) [ADTSM21NSVTR](#) [ADTSM25RVTR](#) [ADTSM32NVTR](#)  
[ADTSMW64RV](#) [1977120-6](#) [FSMRA4JHA04](#) [GS4.70F300QP](#) [KSC241J](#) [SP DELTA LFS](#) [3FTL600RAS](#) [3FTL640RAS](#) [6407-250V-25343P](#)  
[ADTSM31NVTR](#) [2-1977120-7](#) [TSJW-5.2-260-TR](#) [Y651050400P](#) [KMT011MNGJLHS](#) [70-201.0](#) [ADTSG648NV](#) [ADTSM62KSVTR](#)  
[ADTSM648NV](#) [95C06E3RAT](#) [3ATH9Q](#) [FSMRA8JHA04](#) [HARS0073](#) [Y33R411N9FPLFT](#) [Y33R51139FPLFT](#) [Y31C01402FPLFS](#)  
[PTS645SK50SMTR92](#) [ADTSM32NVB](#) [KMS233GPWTLFG](#) [Y78B64124FP](#) [Y33A812C5FP LFT](#) [Y56B2D120FP LFS](#) [PTS645 DVM83-](#)  
[BN125-2 LFS](#) [B3W 1000G](#) [B3F 1002C](#) [B3F 0047H](#) [B3W 1002C](#) [B3F 5001G](#) [B3W 1100C](#) [1-1571563-4](#) [B3F 3150M](#) [KT11P4SA1M35 LFG](#)  
[SS-FORM](#) [B3F 5000R](#)