

# PTS 840 Series Microminiature SMT Side Actuated



## Features/Benefits

- 3.5 x 3.55 mm footprint
- Front PIP leads option for strong shear resistance
- ESD pin option
- Reduced footprint

## Typical Applications

- Nomad devices
- Remote controls
- Personal health diagnostics
- Consumer electronics

## Specifications

FUNCTION: momentary action  
 CONTACT ARRANGEMENT: 1 make contact = SPST N.O.  
 TERMINALS: G and front PIP types for SMT  
 TRAVEL: 0.2mm + 0.2mm / -0.1 mm  
 LIFE: 100,000 cycles

| Type                      | Operating Force (gf) | SMT Leads | Pegs |
|---------------------------|----------------------|-----------|------|
| <b>Without ground pin</b> |                      |           |      |
| PTS840 GM SMTR LFS        | 160 -40/+70          | G leads   | No   |
| PTS840 GK SMTR LFS        | 220 -70/+80          | G leads   | No   |
| PTS840 PM SMTR LFS        | 160 -40/+70          | P leads   | No   |
| PTS840 PK SMTR LFS        | 220 -70/+80          | P leads   | No   |
| PTS840 GMP SMTR LFS       | 160 -40/+70          | G leads   | Yes  |
| PTS840 GKP SMTR LFS       | 220 -70/+80          | G leads   | Yes  |
| <b>With ground pin</b>    |                      |           |      |
| PTS840 ESDGM SMTR LFS     | 160 -40/+70          | G leads   | No   |
| PTS840 ESDGK SMTR LFS     | 220 -70/+80          | G leads   | No   |
| PTS840 ESDPM SMTR LFS     | 160 -40/+70          | P leads   | No   |
| PTS840 ESDPK SMTR LFS     | 220 -70/+80          | P leads   | No   |
| PTS840 ESDGMP SMTR LFS    | 160 -40/+70          | G leads   | Yes  |
| PTS840 ESDGKP SMTR LFS    | 220 -70/+80          | G leads   | Yes  |

## Electrical

MAXIMUM VOLTAGE: 12 VDC  
 MAXIMUM CURRENT DC: 50 mA  
 DIELECTRIC STRENGTH: 250 VA C (1mn)  
 CONTACT RESISTANCE: ≤ 500 mΩ  
 INSULATION RESISTANCE: ≥ 100 MΩ  
 BOUNCE TIME: ≤ 10 ms

## Environmental

OPERATING TEMPERATURE: -40°C to 85°C

## Process

SOLDERING: This component is suited to the following methods:  
 Infrared Reflow Soldering in accordance with IEC61760-1

## Packaging

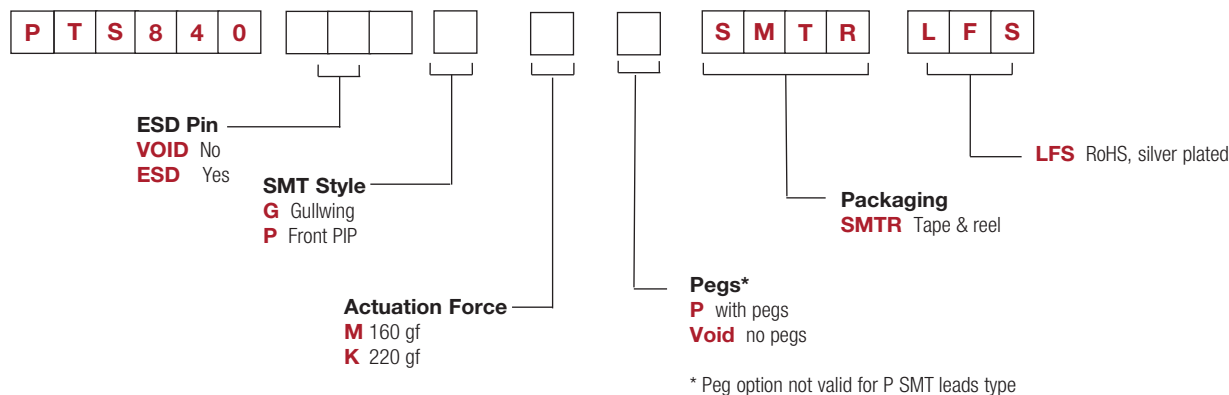
In reels of 3,500 pieces  
 Dimensions of reels according to EIA 481B  
 External diameter 330 mm

**NOTE:** Specifications listed above are for switches with standard options.  
 For information on specific and custom switches, consult Customer Service Center.

## How To Order

Our easy build-a-switch concept allows you to mix and match options to create the switch you need. To order, select desired option from each category and place it in the appropriate box.

**For any part number different from those listed above, please consult your local representative.**

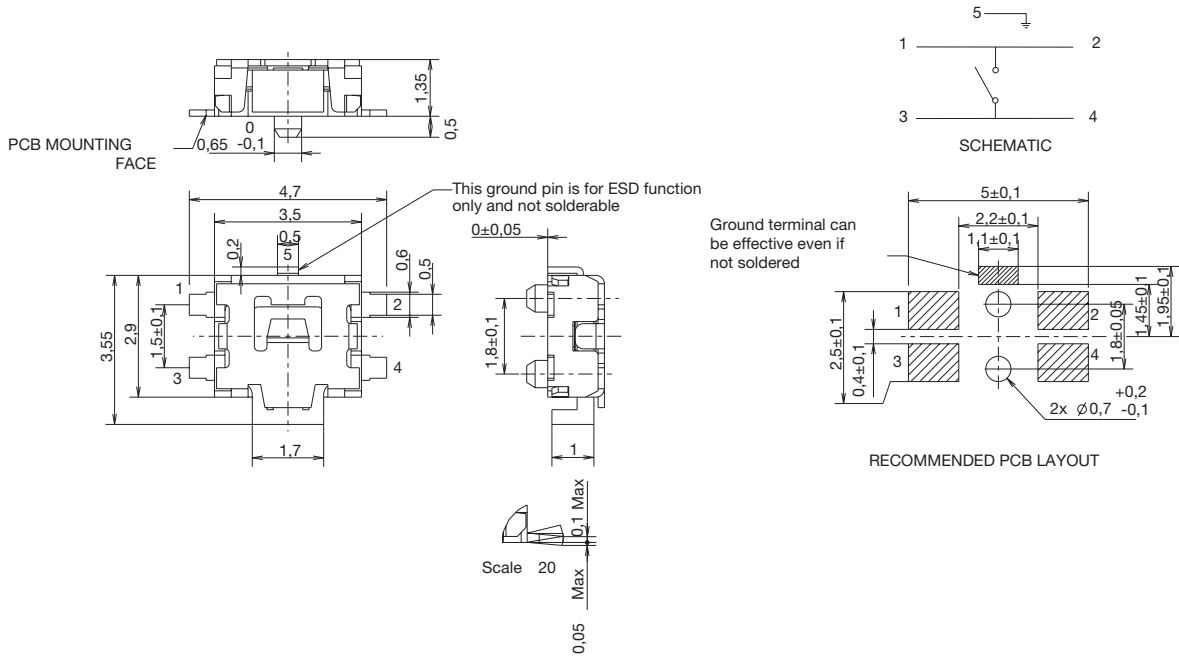


## Design Recommendations

- "P" leads are recommended for applications where shear resistance is of importance
- When a precise alignment between application button and the switch is requested, version with pegs are the right choice to limit the possible floating of the switch during solderability.

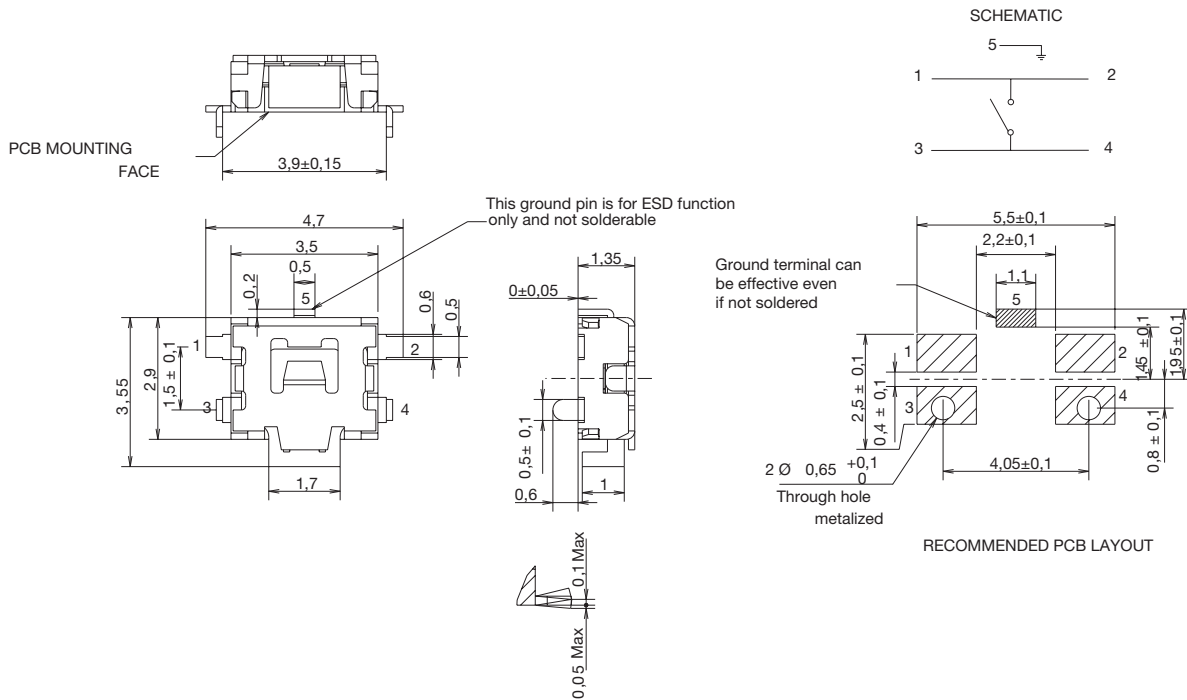
# PTS 840 Series Microminiature SMT Side Actuated

## Standard G SMT Leads with ESD and Peg options



Tactile Switches

## P SMT Leads with ESD option

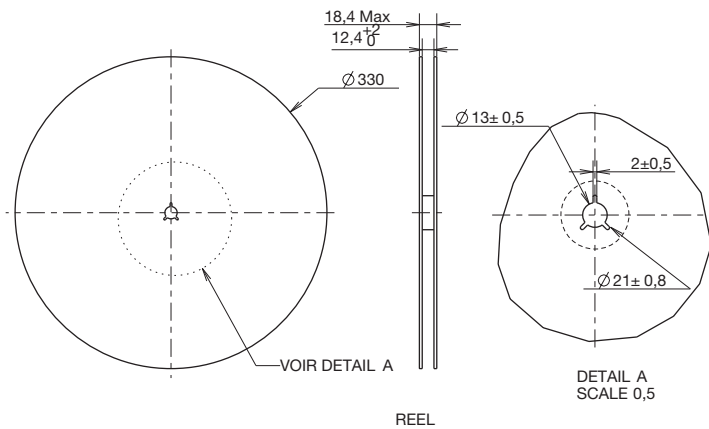
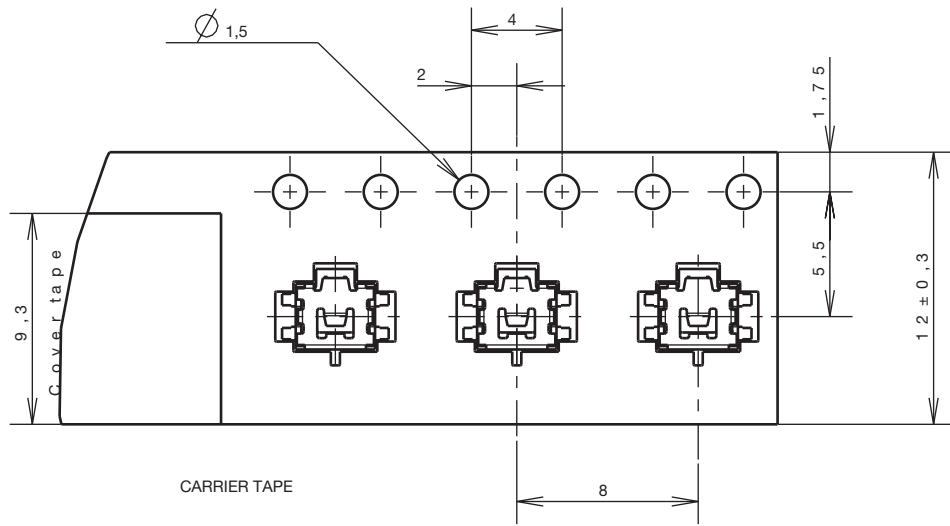


# PTS 840 Series Microminiature SMT Side Actuated

## TAPE & REEL

Tactile Switches

B



## X-ON Electronics

Largest Supplier of Electrical and Electronic Components

*Click to view similar products for [Switch Bezels / Switch Caps](#) category:*

*Click to view products by [C&K](#) manufacturer:*

Other Similar products are found below :

[896809000](#) [LW1A-B2-R](#) [LW2A-B1-G](#) [704.604.4](#) [704.955.3](#) [F1403](#) [7527](#) [760203000](#) [760503000](#) [766601000](#) [785105000](#) [785106000](#)  
[79211759](#) [MH11](#) [MH13](#) [MHU31](#) [MJ1216](#) [MJ1226](#) [MJ33](#) [MJ612](#) [MJ626](#) [MJ627](#) [9001T8BK](#) [908-1634](#) [92-343.200](#) [92-343.400](#) [95804.920](#)  
[95CAP-011](#) [95CAP-112](#) [11-932.7](#) [99-901.9](#) [99-909.4](#) [99-909.5](#) [99-920.8](#) [A0261A](#) [11-931.2](#) [11-932.5](#) [11-936](#) [11-937](#) [AKTSC22B](#) [AT496H](#)  
[AW-RF8](#) [161006](#) [1825068-6](#) [184-1872](#) [187-1872](#) [188-1471](#) [18-920.1](#) [C1103](#) [1DFBLK](#)