

PTS847 Series 4.6x2.2mm SMT Side Actuated Tact

NEW

Features/Benefits

- 4.6 x 2.2 x 2.6 mm package
- Height 0.95 mm above PCB (edge mount)
- Side actuation
- SMT termination with or without L-shape shield
- Hard & soft actuator options
- 160 & 350 gf versions
- Lifecycles 200K

Typical Applications

- Mobile headphone/ Headset
- Health monitoring
- Sports watch
- Black box
- Bluetooth accessory



Specifications

FUNCTION: momentary action
 CONTACT ARRANGEMENT: 1 make contact = SPST N.O.
 TERMINALS: SMT termination
 TRAVEL: 0.15 mm
 LIFE: 200,000 cycles

Electrical

MAXIMUM VOLTAGE: 15 VDC
 MAXIMUM CURRENT DC: 20 mA
 CONTACT RESISTANCE: 100 mΩ
 INSULATION RESISTANCE: 100 MΩ min.
 DIELECTRIC VOLTAGE: AC 250V

Environmental

OPERATING TEMPERATURE: -40°C to 85°C
 STORAGE TEMPERATURE: -40°C to 85°C

Process

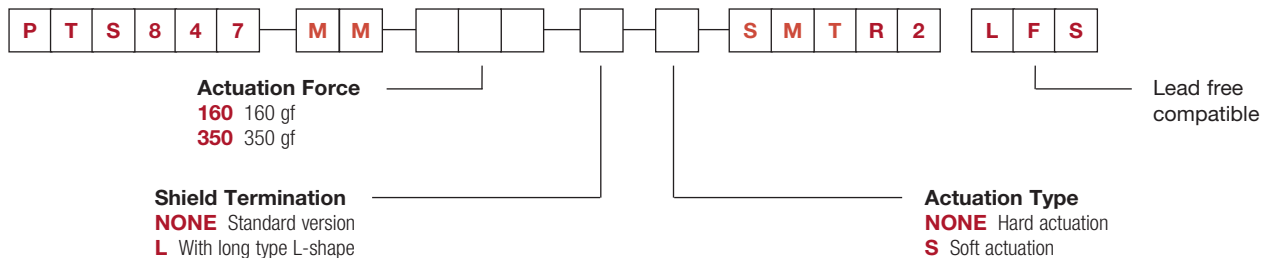
SOLDERING: This component is suited to the following methods:
 Infrared Reflow Soldering in accordance with IEC61760-1

Packaging

2,500 pieces per reel

How To Order

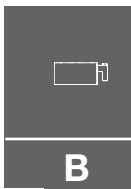
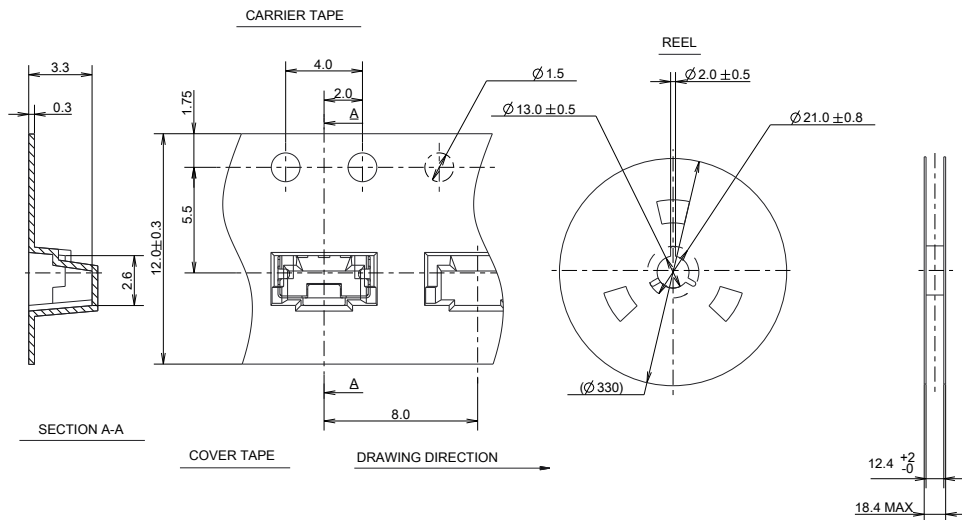
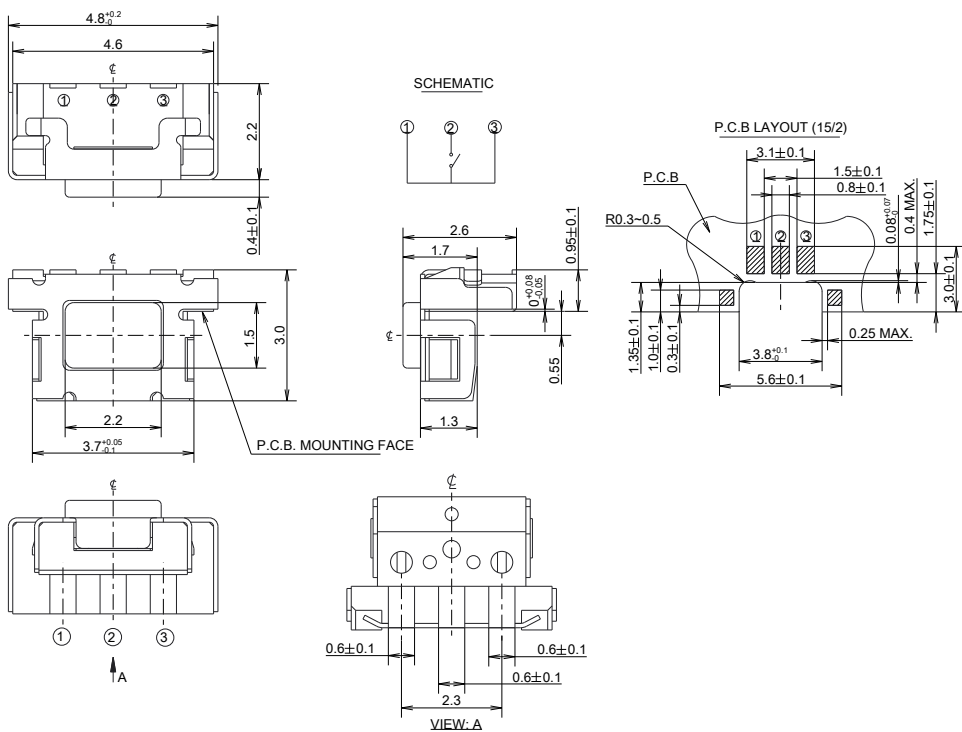
Our easy build-a-switch concept allows you to mix and match options to create the switch you need. To order, select desired option from each category and place it in the appropriate box.



NEW

PTS847 Series 4.6x2.2mm SMT Side Actuated Tact

STANDARD EDGE MOUNTING (HARD ACTUATOR VERSION)



B

Tactile Switches



First Angle
Projection



5 Aug 21

Dimensions are shown: mm
Specifications and dimensions subject to change

PTS847 Series

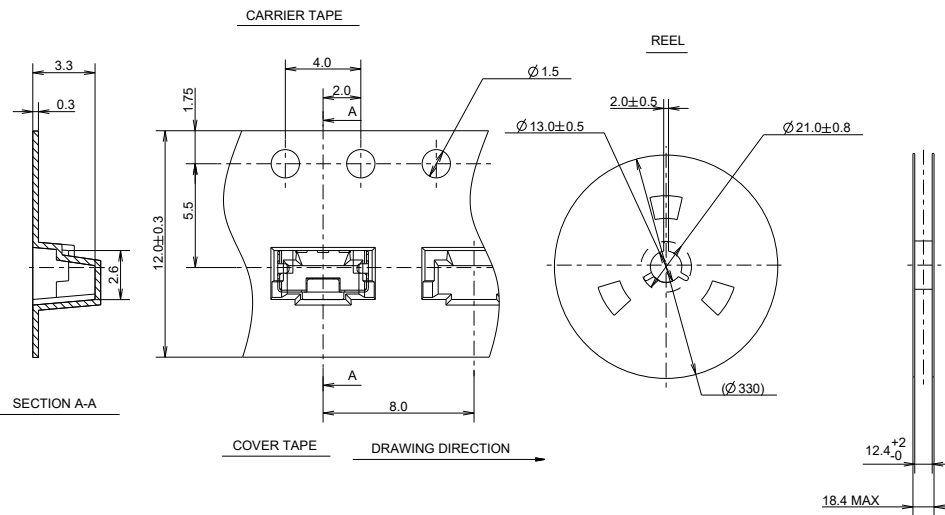
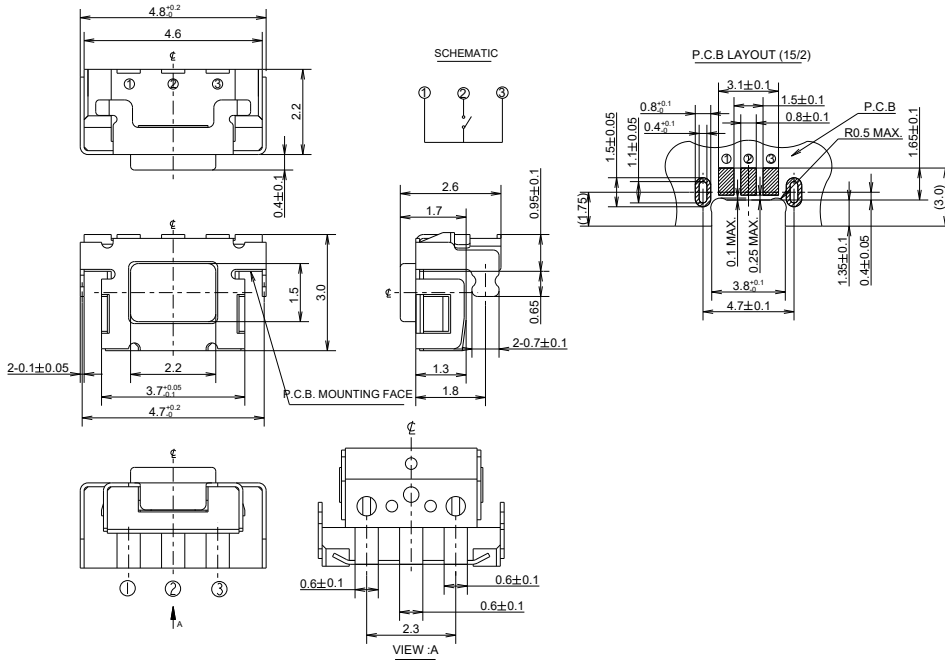
4.6x2.2mm SMT Side Actuated Tact

NEW

EDGE MOUNTING WITH L-SHAPE SHIELD TERMINATION (HARD ACTUATOR VERSION)

Tactile Switches

B



Dimensions are shown: mm
Specifications and dimensions subject to change

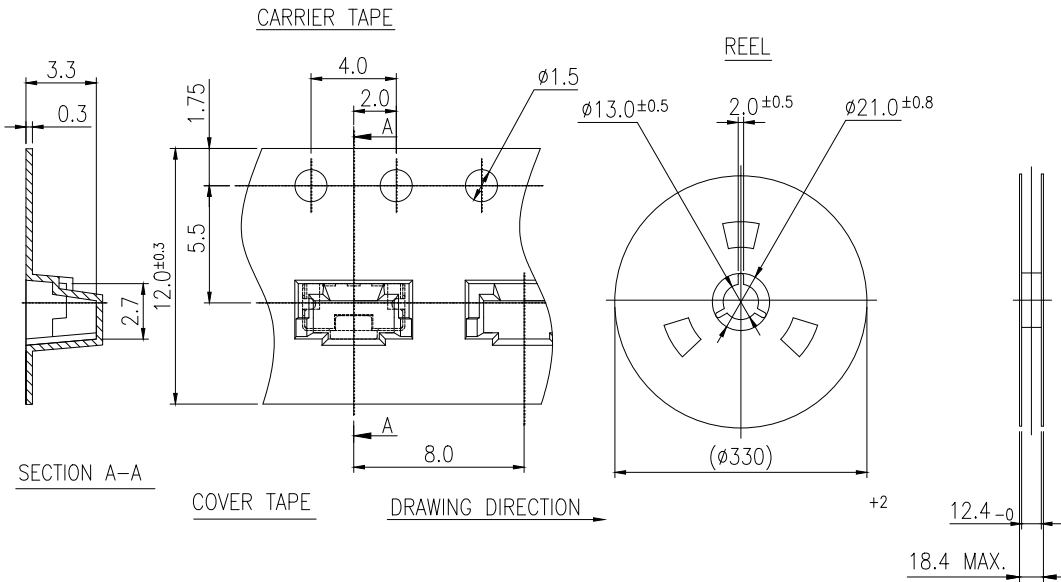
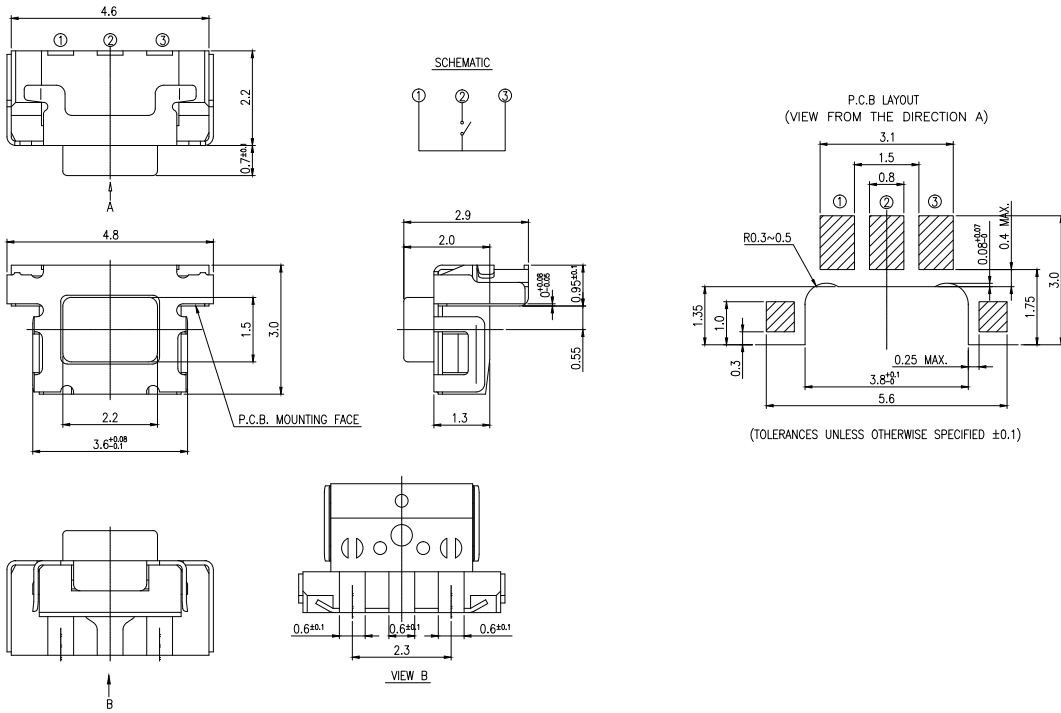


5 Aug 21

NEW

PTS847 Series 4.6x2.2mm SMT Side Actuated Tact

STANDARD EDGE MOUNTING (SOFT ACTUATOR VERSION)



B

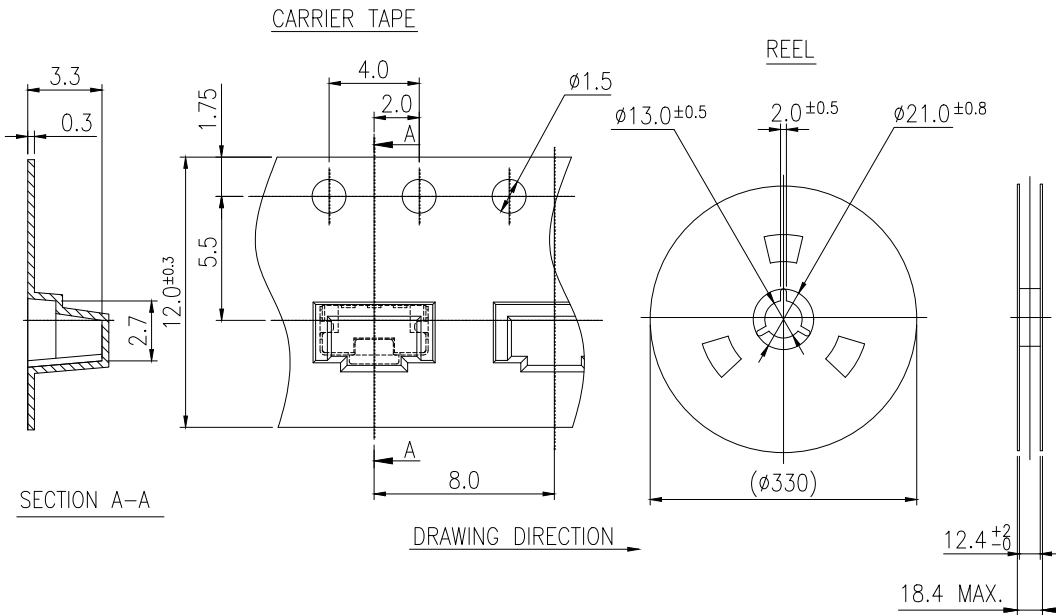
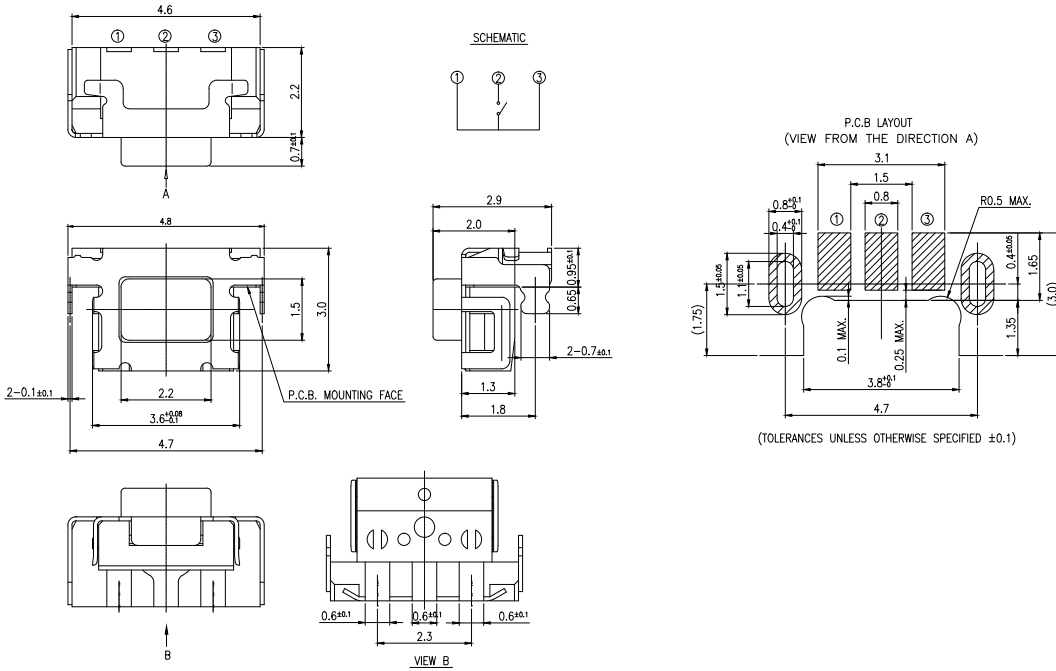
Tactile Switches

NEW

PTS847 Series 4.6x2.2mm SMT Side Actuated Tact

EDGE MOUNTING WITH L-SHAPE SHIELD TERMINATION (SOFT ACTUATOR VERSION)

Tactile Switches
B



X-ON Electronics

Largest Supplier of Electrical and Electronic Components

Click to view similar products for [Tactile Switches](#) category:

Click to view products by [C&K](#) manufacturer:

Other Similar products are found below :

[6407-250V-25273P](#) [ADTSA62NV](#) [B3F-3123](#) [1977177-8](#) [1977266-1](#) [ADTSA63NV](#) [ADTSM21NSVTR](#) [ADTSM25RVTR](#) [ADTSM32NVTR](#)
[ADTSMW64RV](#) [1977120-6](#) [FSMRA4JHA04](#) [GS4.70F300QP](#) [KSC241J SP DELTA LFS](#) [3FTL600RAS](#) [3FTL640RAS](#) [6407-250V-25343P](#)
[ADTSM31NVTR](#) [2-1977120-7](#) [TSJW-5.2-260-TR](#) [Y651050400P](#) [KMT011MNGJLHS](#) [70-201.0](#) [ADTSG648NV](#) [ADTSM62KSVTR](#)
[ADTSM648NV](#) [95C06E3RAT](#) [3ATH9Q](#) [FSMRA8JHA04](#) [HARS0073](#) [Y33R411N9FPLFT](#) [Y33R51139FPLFT](#) [Y31C01402FPLFS](#)
[PTS645SK50SMTR92](#) [ADTSM32NVB](#) [KMS233GPWTLFG](#) [Y78B64124FP](#) [Y31CJ244KFP LFS](#) [Y96D113G0FP LFS](#) [Y33A812C5FP LFT](#)
[Y56B2D120FP LFS](#) [Y31C5144KFP LFS](#) [PTS645 DVM83-BN125-2 LFS](#) [B3W 1000G](#) [KSC621G OL LFS](#) [B3F 1002C](#) [B3F 0047H](#) [B3W](#)
[1002C](#) [B3F 5001G](#) [B3W 1100C](#)