

NEW

PTS850 Series 5.4x5mm SMT Side Actuated Tact

Features/Benefits

- 5.4 x 5.0 x 1.8 mm package
- SMT termination
- Side actuated with or without boss design
- 180 & 350 gf versions
- Lifecycles 50K

Typical Applications

- Headphone/ Headset
- Health monitoring
- Sports watch
- Black box
- Bluetooth accessory
- Navigation



Specifications

FUNCTION: momentary action
 CONTACT ARRANGEMENT: 1 make contact = SPST N.O.
 TERMINALS: SMT termination
 TRAVEL: 0.2 mm ± 0.1 mm
 LIFE: 50,000 cycles

Electrical

MAXIMUM VOLTAGE: 12 VDC
 MAXIMUM CURRENT DC: 50 mA
 CONTACT RESISTANCE: 500 mΩ
 INSULATION RESISTANCE: 100 MΩ min.

Environmental

OPERATING TEMPERATURE: -40°C to 85°C
 STORAGE TEMPERATURE: -30°C to 85°C

Process

SOLDERING: This component is suited to the following methods:
 Infrared Reflow Soldering in accordance with IEC61760-1

Packaging

2,000 pieces per reel

How To Order

Please see chart below for full part numbers.

Type	Actuation Force (gf)	Stem Colour	Remark
PTS850VM18PSMTR LFS	180 + 80/- 40	Black	With Boss
PTS850VR18PSMTR LFS	350 ± 80	Natural	With Boss
PTS850VM18SMTR LFS	180 + 80/- 40	Black	Without Boss
PTS850VR18SMTR LFS	350 ± 80	Natural	Without Boss

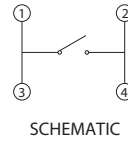
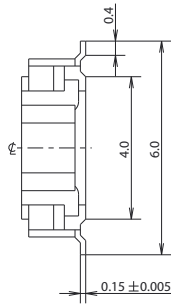
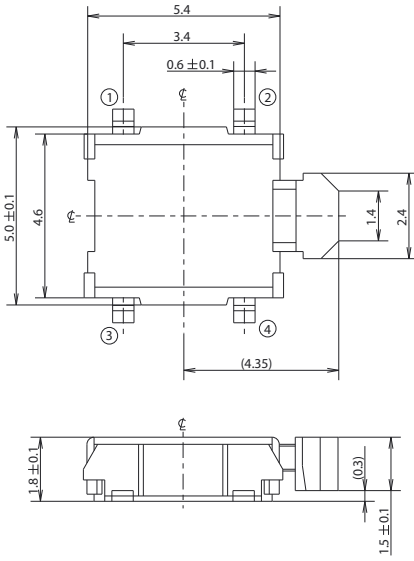
PTS850 Series 5.4x5mm SMT Side Actuated Tact

NEW

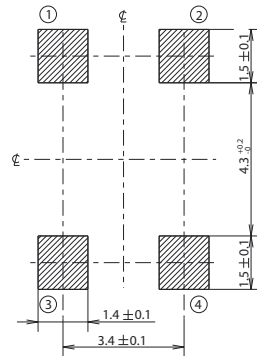
WITHOUT BOSS

Tactile Switches

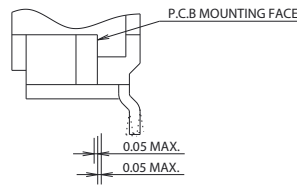
B



P.C.B. LAYOUT

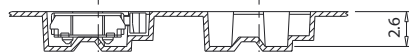
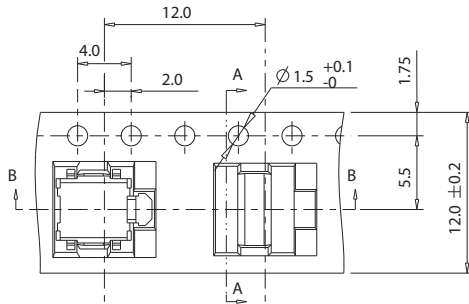
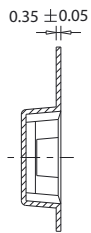


HATCHED AREA SHOWS SOLDERING LAND



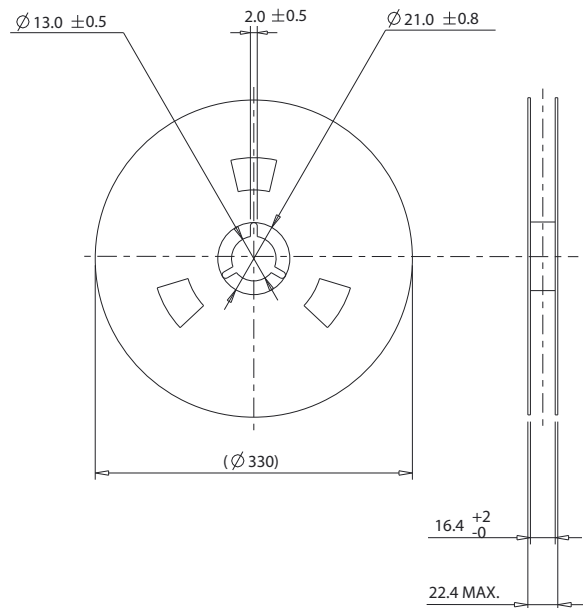
TAPE & REEL

CARRIER TAPE



DRAWING DIRECTION

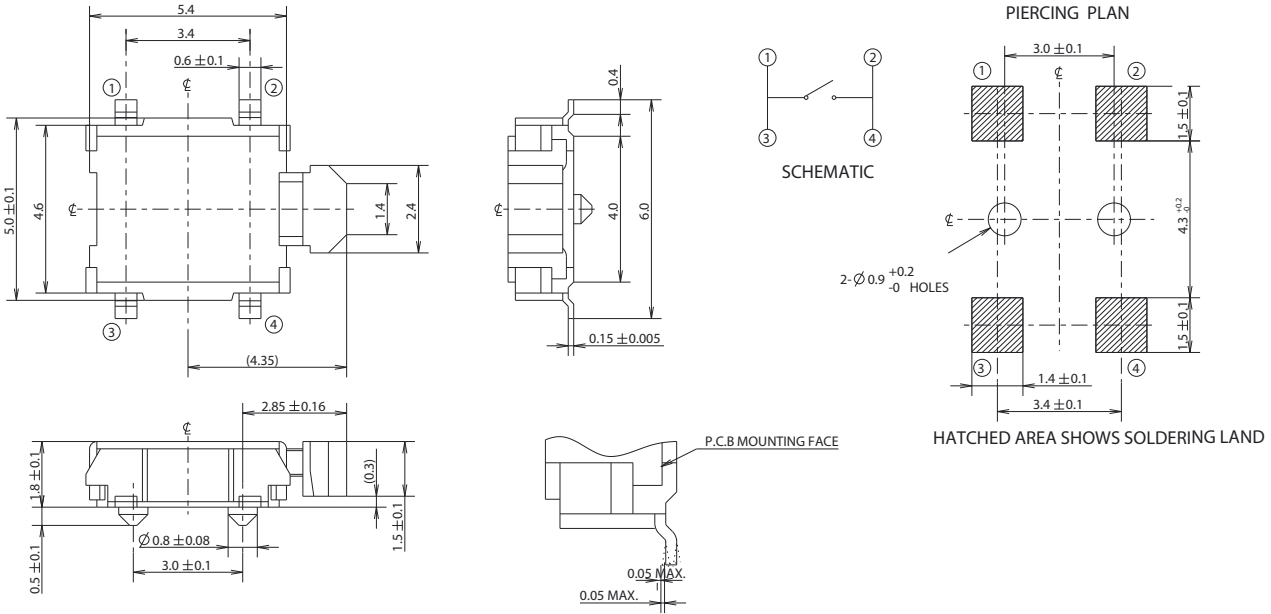
REEL



NEW

PTS850 Series 5.4x5mm SMT Side Actuated Tact

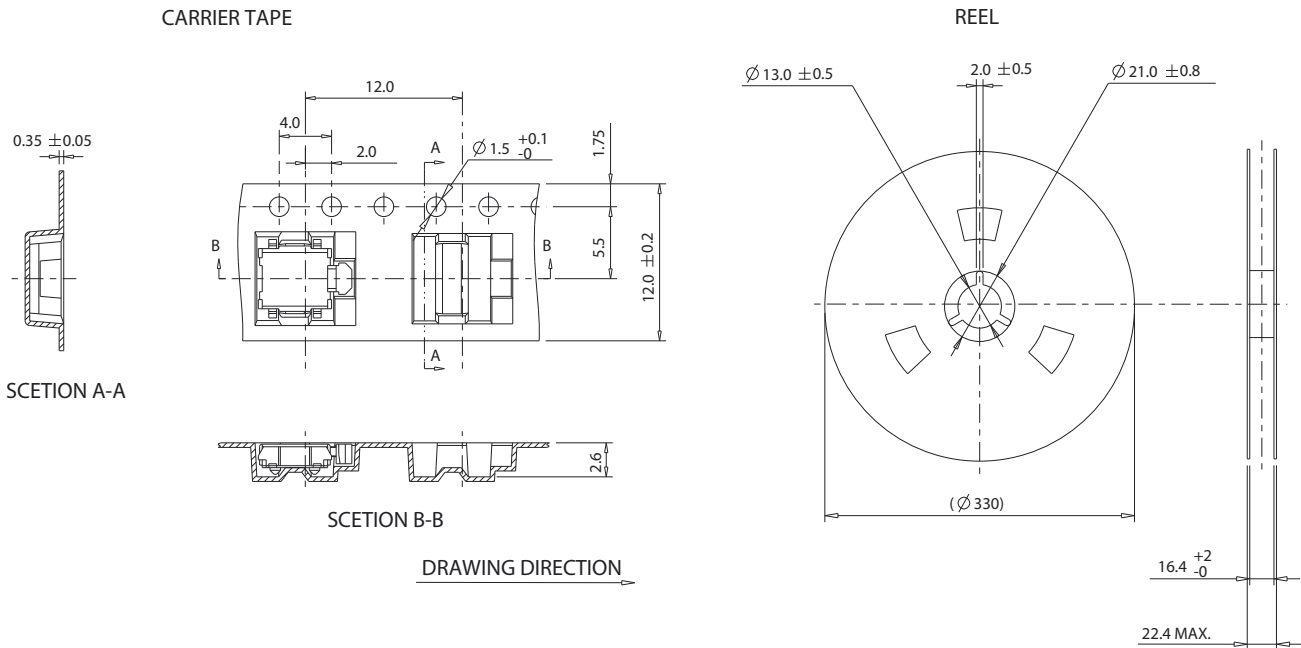
WITH BOSS



B

Tactile Switches

TAPE & REEL



X-ON Electronics

Largest Supplier of Electrical and Electronic Components

Click to view similar products for [Tactile Switches](#) category:

Click to view products by [C&K](#) manufacturer:

Other Similar products are found below :

[5GTH92001](#) [1-1977120-4](#) [ADTSA62NV](#) [ADTSA62RV](#) [ADTSA63KV](#) [ADTSA644NV](#) [ADTSMW66NV](#) [ADTSMW67RV](#) [B3F-3123](#) [B3F-6055A](#) [B3F-B32-01-KIT](#) [1977177-8](#) [1977266-1](#) [ADTS644KV](#) [ADTSA61RV](#) [ADTSA62KV](#) [ADTSA63NV](#) [ADTSA63RV](#) [ADTSM21NSVTR](#) [ADTSM32NVTR](#) [ADTSM63SVTR](#) [ADTSM644KVTR](#) [ADTSMW64RV](#) [ADTSMW69NV](#) [FSMRA4JHA04](#) [GS4.70F300QP](#) [3ESH9R](#) [506E00201](#) [MJTP1164TR](#) [3FTL600RAS](#) [3FTL640RAS](#) [Y96K132V0FPLFS](#) [101-TS5022T1601-EV](#) [5GSH92001](#) [KSJ0A231](#) [80SH LFG](#) [ADTSM31NVTR](#) [EVQ-P1D05K](#) [MJTP1162TR](#) [ADTSM63KV](#) [2-1977120-7](#) [TSJW-5.2-260-TR](#) [KMT011MNGJLHS](#) [B3WN6002S](#) [ADTSA648RV](#) [70-201.0](#) [ADTSG648NV](#) [ADTSM62KSVTR](#) [ATA600VTR](#) [ADTSG66RV](#) [ADTS61NV](#)