

SDS Series Side Actuated Detect Switches

NEW

Features/Benefits

- Low profile package sits just 2mm off PCB
- 2mm overtravel ideal for detector applications
- Low actuation force (75 grams max.)
- Pick & place compatible, available in tape & reel packaging
- Ultra low current capabilities
- RoHS compliant and compatible

Typical Applications

- Medical devices
- Consumer electronics
- PCB lock cam detect
- IoT devices
- ATCA and MicroTCA



Specifications

CONTACT RATING: 100mA @ 12 VDC

* For ULC version, min. current is 10µA @ 1.8 VDC

MECHANICAL & ELECTRICAL LIFE: 50,000 cycles

CONTACT RESISTANCE: 100 m Ω max. initial

INSULATION RESISTANCE: 10 M Ω min. @ 100 VDC

OPERATING TEMPERATURE: -40°C to +85°C

SOLDERABILITY: IR compatible, no wash. 260°C max.

PACKAGING: Bulk or tape & reel (3000 per reel)

Materials

BASE: Glass filled LCP (UL 94V-0)

ACTUATOR: Glass Filled LCP (UL94V-0)

COVER: Nickel silver w/silver plate

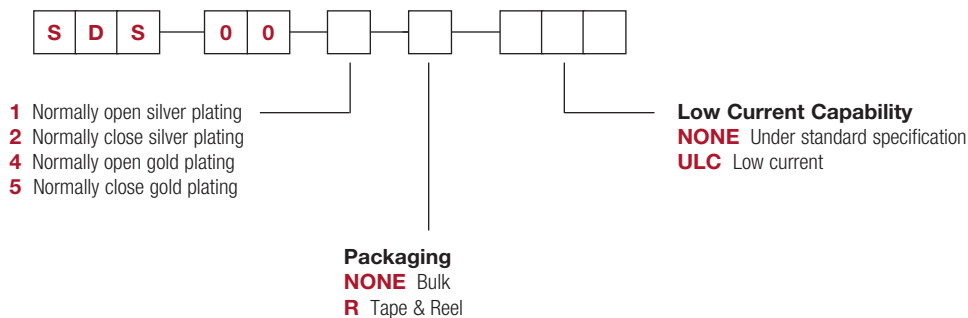
MOVABLE CONTACT: Phosphor bronze, see table for plating

TERMINALS: Phosphor bronze, see table for plating

NOTE: Specifications and materials listed above are for switches with standard options. For information on specific and custom switches, consult Customer Service Center.

How To Order

Our easy build-a-switch concept allows you to mix and match options to create the switch you need. To order, select desired option from each category and place it in the appropriate box.



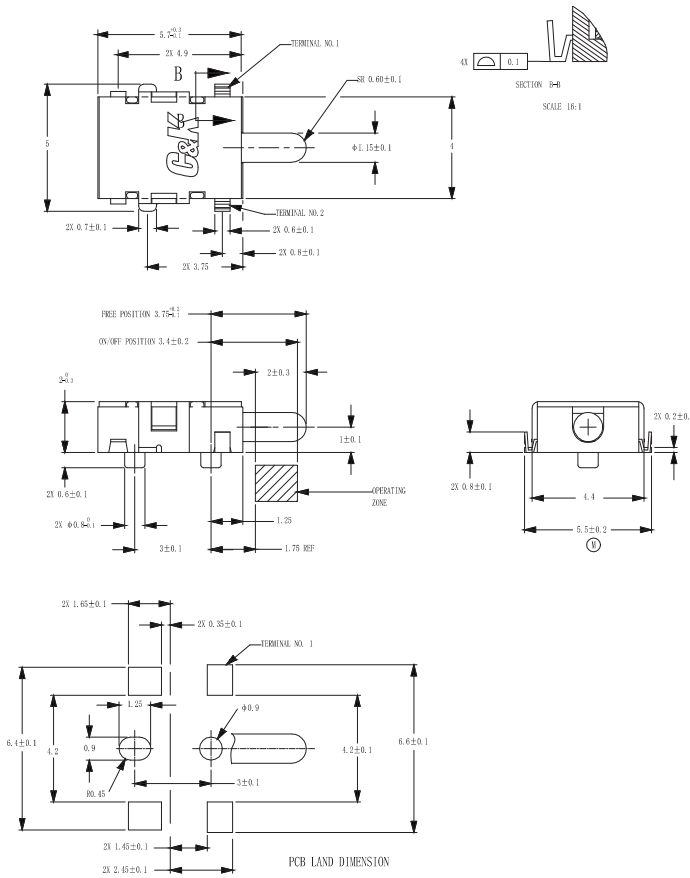
m

Detect

NEW

SDS Series Side Actuated Detect Switches

Complete part numbers for SDS Series Switches are shown below.



PART NUMBER	HOUSING COLOR	PACKAGING	SCHEMATIC	Contact Plating	Terminal Plating
SDS001	Black	Bulk		Silver Clad	Silver Plate
SDS001R		Tape & Reel			
SDS001RULC			N.O.		
SDS002	White	Bulk		Silver Clad	Silver Plate
SDS002R		Tape & Reel			
SDS002RULC			N.C.		
SDS004	Black	Bulk		Gold Flash	Gold Flash
SDS004R		Tape & Reel			
SDS004RULC			N.O.		
SDS005	White	Bulk		Gold Flash	Gold Flash
SDS005R		Tape & Reel			
SDS005RULC			N.C.		

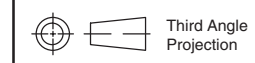
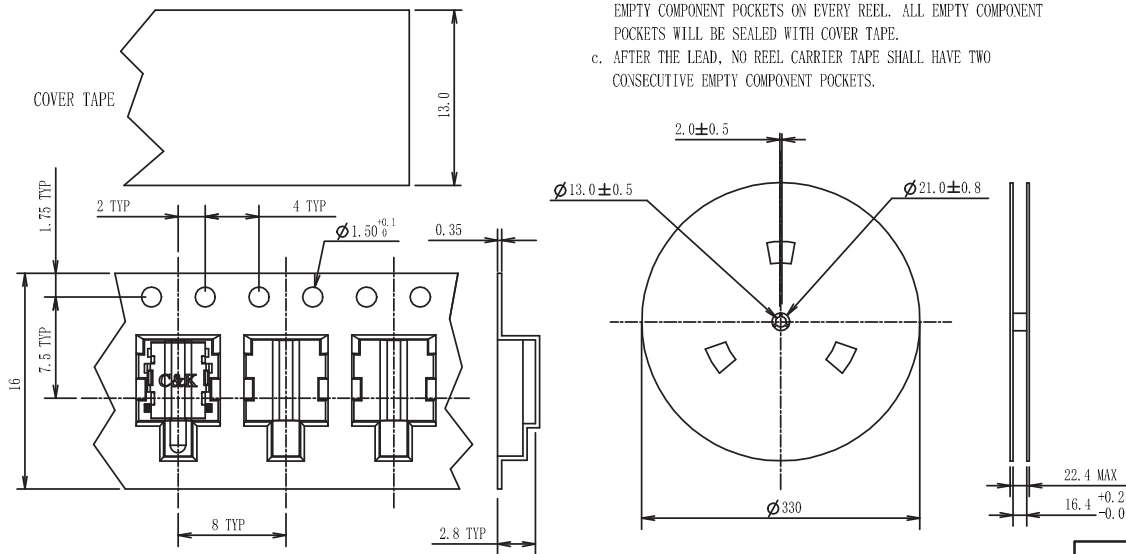


**SDS001
SPST**

TAPE & REEL

TAPE & REEL PACKAGING NOTES:

- PACKAGE QUANTITY: 3,000 PCS/REEL.
- SPECIFICATION OF TAPING PACKAGE: THE REEL CARRIER TAPE WILL HAVE A LEAD OF 33 EMPTY COMPONENT POCKETS AND AN END OF 14 EMPTY COMPONENT POCKETS ON EVERY REEL. ALL EMPTY COMPONENT POCKETS WILL BE SEALED WITH COVER TAPE.
- AFTER THE LEAD, NO REEL CARRIER TAPE SHALL HAVE TWO CONSECUTIVE EMPTY COMPONENT POCKETS.



Dimensions are shown: mm
Specifications and dimensions subject to change



X-ON Electronics

Largest Supplier of Electrical and Electronic Components

Click to view similar products for [Detector Switches](#) category:

Click to view products by [C&K](#) manufacturer:

Other Similar products are found below :

[E3S-LS5C4S](#) [SPVQ850300](#) [21075-6](#) [SPVQ860100](#) [D3DM0005H](#) [D3DM0001E](#) [ESE-31R11T](#) [ESE-23F101](#) [ESE-13V01D](#) [ESE-13V01C](#)
[ESE-13V01A](#) [ESE-13H01B](#) [ESE-11MH1T](#) [ESE-11MH2T](#) [ESE-11MV1](#) [ESE-31L11T](#) [HDS001R](#) [SPVL110102](#) [ESE-11MV1T](#) [ESE-13V01B](#)
[ESE-23J101](#) [SPPW811200](#) [ESE-18L62A](#) [ESE-18L62C](#) [461011220101](#) [ESE-58R61B](#) [SPVQ361300](#) [ESE-18L62D](#) [ESE-58L61B](#) [ESE-](#)
[58R11B](#) [ESE-18R62A](#) [ESE-18L12B](#) [ESE-18L12A](#) [ESE-18L12D](#) [SPVT210201](#) [ESE-58L11B](#) [ESE-18R62D](#) [SPVL120101](#) [SPVQ350200](#)
[ESE-24CMV9T](#) [ESE-22MH21](#) [ESE-18R12B](#) [DS080](#) [DS0900502RP](#) [T0-SCB22MP1NC1](#) [T0-SCB22MP1NSX](#) [ESE-13H01A](#) [ESE-13H01C](#)
[ESE-13H01D](#) [SPVQ710100](#)