

TDP Series Ultra-miniature Surface Mount Half-pitch Side-Actuated DIP Switches



H
DIP

Features/Benefits

- World's first ultra-miniature SMT half-pitch side-actuated DIP
- Side actuation allows visual indication of on/off position in horizontal applications
- Process sealed for surface mount soldering and washable processing
- RoHS compliant
- Lead free

Typical Applications

- Hand-held electronic devices
- Portable computer and electronic devices
- Instrumentation and controls



Specifications

SWITCH FUNCTION: SPST — 2, 4, 6, 8, 10 positions.

CONTACT RATING:

24 V DC, 25 mA (switching).

50 V DC, 100 mA (steady state).

MECHANICAL AND ELECTRICAL LIFE: 1,000 cycles.

CONTACT RESISTANCE: 100 mΩ max.

INSULATION RESISTANCE: 100 MΩ @ 100 V DC min.

DIELECTRIC STRENGTH: 300 V AC min.

STORAGE TEMPERATURE: -40°C to 85°C.

OPERATING TEMPERATURE: -40°C to 85°C.

OPERATING FORCE: 4.9N max.

SOLDERABILITY: Per MIL-STD-202F method 208D, or

EIA RS-186E method 9 (1 hour steam aging).

PACKAGING: Switches supplied in rigid dispensing tubes in full tube quantities only, this may affect order quantity. Tape and reel packaging also available.

Materials

CASE & COVER: glass filled PPS (UL94V-0).

ACTUATOR: PA6T (UL94V-0).

CONTACTS: Copper alloy with gold plate over nickel plate.

TERMINALS: Copper alloy, with gold over nickel plate.

All terminals are insert molded.

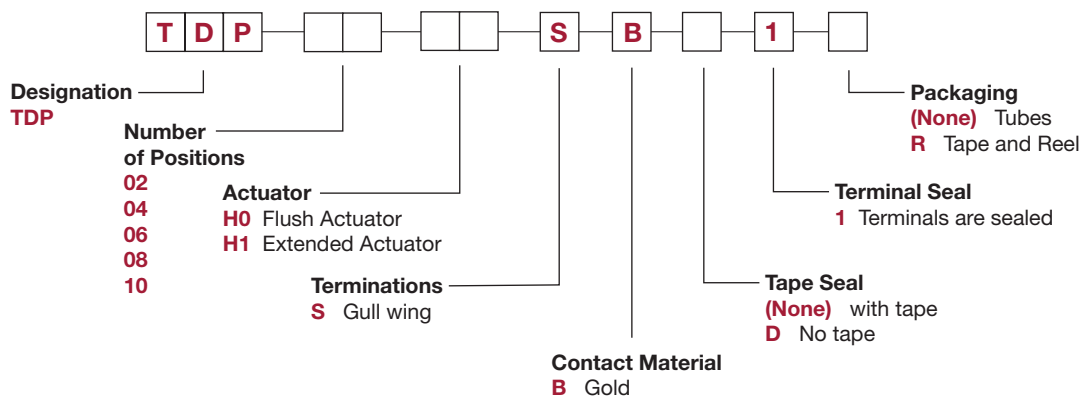
TAPE SEAL: Polyimide.

Note: Specifications and materials listed above are for switches with standard options. For information on specific and custom switches, consult Customer Service Center.

How To Order

The Build-A Switch concept allows you to mix and match options to create the switch you need. Below is a complete listing of options shown in catalog. To order, simply select desired option from each category and place in the appropriate box.

All switches supplied in "OFF" position.



Note: Tape seal is not available with H1 Extended Actuators.



Dimensions are shown: Inch (mm)
Specifications and dimensions subject to change



TDP Series Ultra-miniature Surface Mount Half-pitch Side-Actuated DIP Switches



DIP H

Flush Actuator-No Top Tape, Surface Mount Terminals

| PART NUMBER | NO. POS. | DIM 'A' | DIM "B" | QUANTITY PER TUBE |
|--------------------|----------|---------------|---------------|-------------------|
| TDP02H0SBD1 | 2 | 0.144 (3,67) | 0.050 (1,27) | 125 |
| TDP04H0SBD1 | 4 | 0.244 (6,21) | 0.150 (3,81) | 70 |
| TDP06H0SBD1 | 6 | 0.344 (8,74) | 0.250 (6,35) | 50 |
| TDP08H0SBD1 | 8 | 0.444 (11,29) | 0.350 (8,89) | 40 |
| TDP10H0SBD1 | 10 | 0.544 (13,82) | 0.450 (11,43) | 30 |

Schematic: SPST

Flush Actuator-with Top Tape, Surface Mount Terminals

| PART NUMBER | NO. POS. | DIM 'A' | DIM "B" | QUANTITY PER TUBE |
|-------------------|----------|---------------|---------------|-------------------|
| TDP02H0SB1 | 2 | 0.144 (3,67) | 0.050 (1,27) | 125 |
| TDP04H0SB1 | 4 | 0.244 (6,21) | 0.150 (3,81) | 70 |
| TDP06H0SB1 | 6 | 0.344 (8,74) | 0.250 (6,35) | 50 |
| TDP08H0SB1 | 8 | 0.444 (11,29) | 0.350 (8,89) | 40 |
| TDP10H0SB1 | 10 | 0.544 (13,82) | 0.450 (11,43) | 30 |

Schematic: SPST



Dimensions are shown: Inch (mm)
Specifications and dimensions subject to change

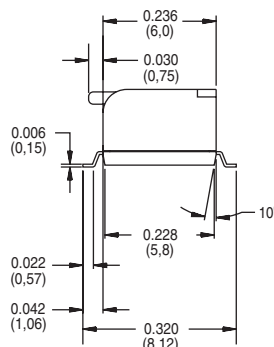
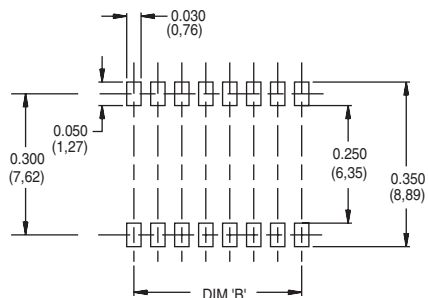
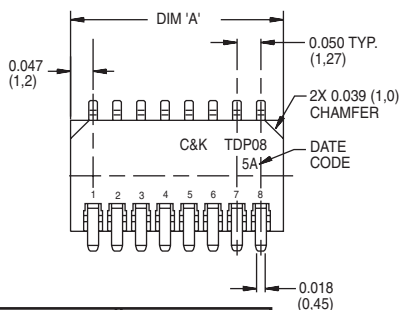
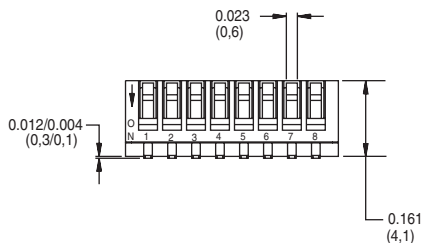


TDP Series Ultra-miniature Surface Mount Half-pitch Side-Actuated DIP Switches



H DIP

Extended Actuator-No Top Tape, Surface Mount Terminals

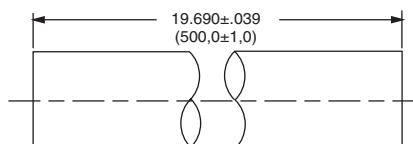
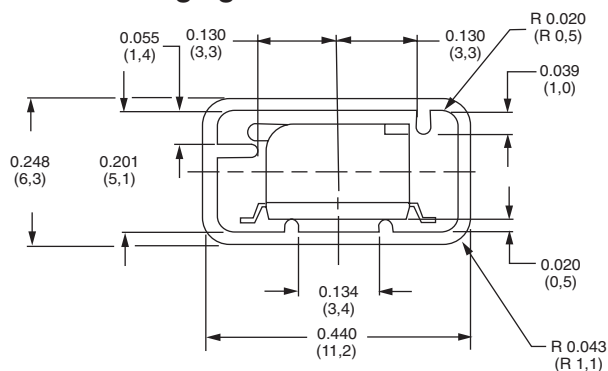


| PART NUMBER | NO. POS. | DIM 'A' | DIM 'B' | QUANTITY PER TUBE |
|--------------------|----------|---------------|---------------|-------------------|
| TDP02H1SBD1 | 2 | 0.144 (3,67) | 0.050 (1,27) | 125 |
| TDP04H1SBD1 | 4 | 0.244 (6,21) | 0.150 (3,81) | 70 |
| TDP06H1SBD1 | 6 | 0.344 (8,74) | 0.250 (6,35) | 50 |
| TDP08H1SBD1 | 8 | 0.444 (11,29) | 0.350 (8,89) | 40 |
| TDP10H1SBD1 | 10 | 0.544 (13,82) | 0.450 (11,43) | 30 |

Schematic

SPST

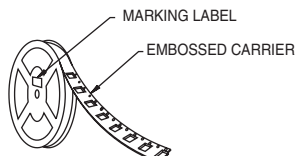
Tube Packaging



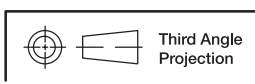
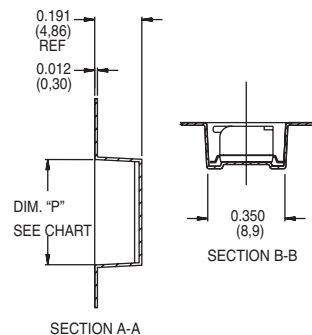
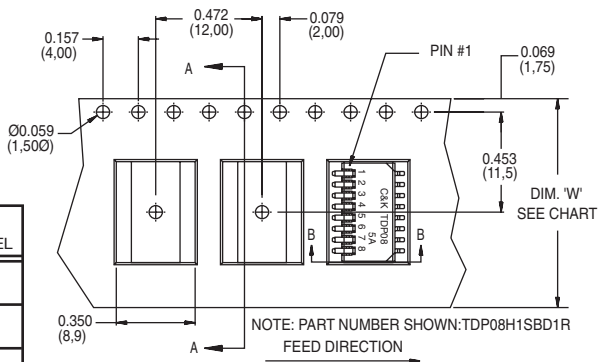
| MODEL NUMBER | QTY IN TUBE |
|--------------|-------------|
| TDP02 | 125 |
| TDP04 | 70 |
| TDP06 | 50 |
| TDP08 | 40 |
| TDP10 | 30 |

Note: Switch shown has H1 extended actuator.

Tape and Reel Packaging



| DIM PART NUMBER | DIM. 'W' | DIM 'P' | PER REEL |
|-----------------|--------------|---------------|----------|
| TDP02 | 0.630 (16,0) | 0.175 (4,45) | 1,000 |
| TDP04 | 0.630 (16,0) | 0.276 (7,0) | 1,000 |
| TDP06 | 0.630 (16,0) | 0.376 (9,55) | 1,000 |
| TDP08 | 0.945 (24,0) | 0.476 (12,1) | 1,000 |
| TDP10 | 0.945 (24,0) | 0.576 (14,65) | 1,000 |



Dimensions are shown: Inch (mm)
Specifications and dimensions subject to change



X-ON Electronics

Largest Supplier of Electrical and Electronic Components

Click to view similar products for [DIP Switches/SIP Switches](#) category:

Click to view products by [C&K](#) manufacturer:

Other Similar products are found below :

[09.400BP.04](#) [106-EM04-EV](#) [106-EM08-EV](#) [106-LP04-EV](#) [106-LPD04-EV](#) [106-SDN06-EV](#) [1-1437507-0](#) [1-1437507-6](#) [1-1571983-1](#) [1-1571983-3](#) [1-1571983-4](#) [1-1571983-5](#) [1-1571998-3](#) [1-1571999-1](#) [1-1571999-6](#) [1-161347-2](#) [1-1825002-0](#) [1-1825002-3](#) [1-1825002-4](#) [1-1825002-7](#) [1-1825002-8](#) [1-1825006-1](#) [1-1825006-3](#) [1-1825006-6](#) [1-1825006-7](#) [1-1825006-9](#) [1-1825007-0](#) [1-1825007-3](#) [1-1825008-0](#) [1-1825008-2](#) [1-1825013-1](#) [1-1825013-7](#) [1-1825013-9](#) [1-1825057-0](#) [1-1825058-3](#) [1-1825058-6](#) [1-1825058-9](#) [1-1825059-1](#) [1-1825059-2](#) [1-1825059-3](#) [1-1825059-4](#) [1-1825059-7](#) [1-1825059-8](#) [1-1825059-9](#) [1-1825190-0](#) [1-1825286-0](#) [1-382394-5](#) [1-382394-7](#) [1-435802-5](#) [1-435802-](#)