

# TSW Series 3 or 7 Function Tact and Scroll Wheel

## Features/Benefits

- Compact and slim
- Multiple function in one component (rotary, select)
- Easy installation
- Through hole termination
- Integrated decoration (B type)

## Typical Applications

- Remote controls
- Desk phones
- Keyboards
- Printers
- Entertainment systems
- White goods



## Operation Characteristics

OPERATING FORCE: See chart below  
24 detent - 12 pulses/360°

## Specifications

INITIAL CONTACT RESISTANCE: Max. 300mΩ  
INSULATION RESISTANCE: Min. 100 MΩ (100 VDC)  
RATING: 1mA 10 VDC  
LIFE CYCLE: See chart below  
OPERATING FREQUENCY:  
Rotation - Max. 30 operations per minute  
Push - Max. 120 operations per minute  
Depression - Max. 300 gf

## Environmental

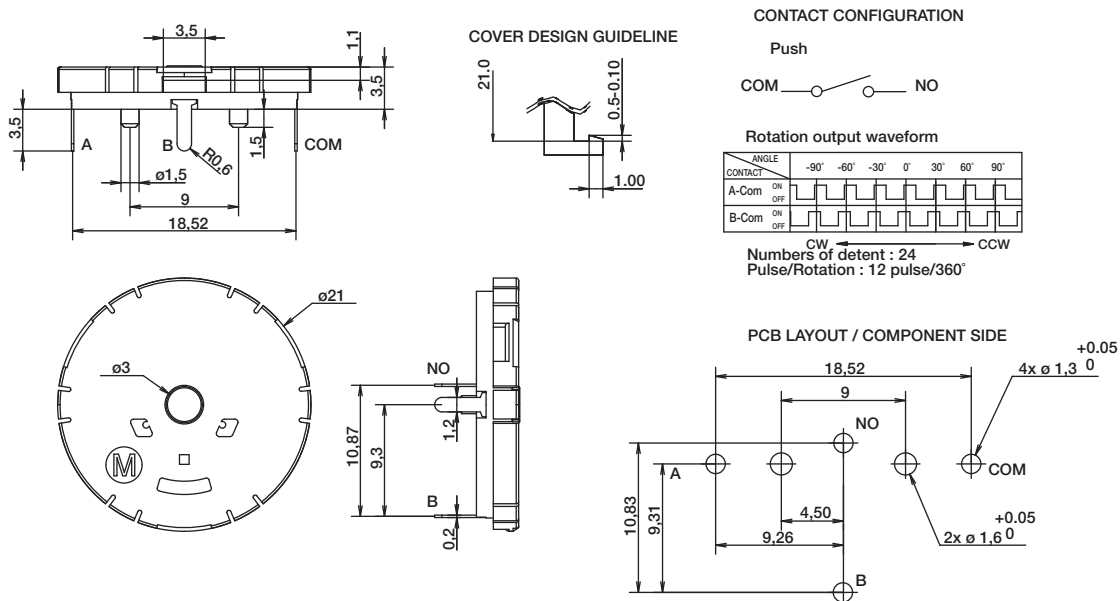
OPERATING TEMPERATURE: 0°C / 40°C  
STORAGE TEMPERATURE: -40°C / 70°C  
VIBRATION RESISTANCE: 10 ~ 55 Hz, displacement 0.75mm (p-p)  
SHOCK RESISTANCE: Destruction 1,000 m/s<sup>2</sup> (approx. 100G) max.  
WAVE SOLDERING: Max. 260°C for 5 seconds  
HAND SOLDERING: Max. 260°C for 5 seconds

Designation	Number of Circuits	Rotation Actuation Force	Push Actuation Force	Cycle Life Rotation (per direction)	Cycle Life Push
TSWA	3	Max. 60g - cm	220g ± 50g	1,000K cycles	1,000K cycles
TSWB	5	Max. 50g - cm	Max 300g	1,000K cycles	1,000K cycles

Part Number	Description	Tray	Box
TSWA-3N-C LFS	Base switch with jog and select, no decoration	80	160
TSWA-3N-CB11 LFS	Base switch with jog and select, white central button, white dial	65	130
TSWA-3N-CD23 LFS	Base switch with jog and select, black central button, grey dial	30	60
TSWB-3N-CB111 LFS	Central select with jog and 4 directions, white central button, dial & direction ring	30	60
TSWB-3N-CB222 LFS	Central select with jog and 4 directions, black central button, dial & direction ring	30	60

## TSWA-3N-C LFS

Base switch with jog and select, no decoration



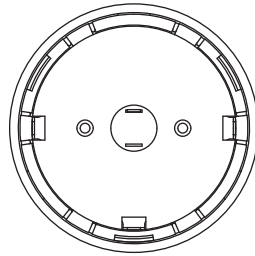
Dimensions are shown: mm  
Specifications and dimensions subject to change



# TSW Series

## 3 or 7 Function Tact and Scroll Wheel

**TSWA-3N-CB11 LFS** Base switch with jog and select, white central button, white dial

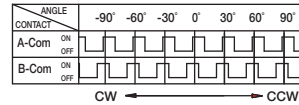


CONTACT CONFIGURATION

Push



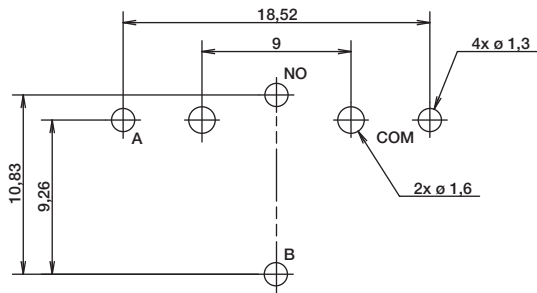
Rotation output waveform



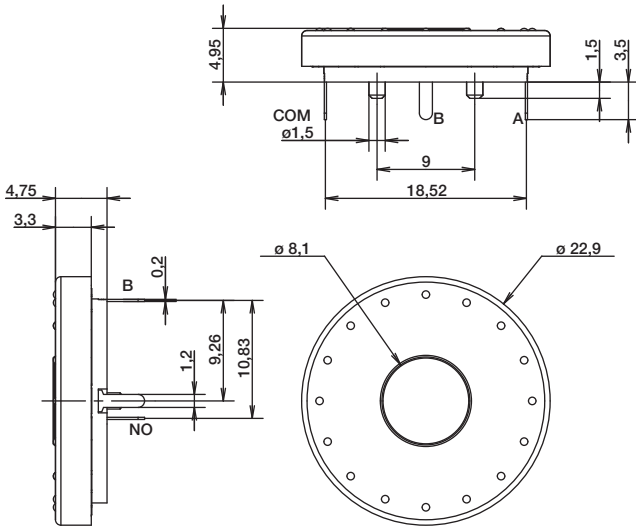
Numbers of detent : 24

Pulse/Rotation : 12 pulse/360°

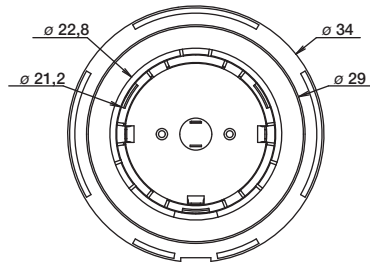
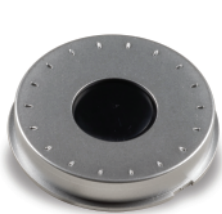
PCB LAYOUT / COMPONENT SIDE



Navigation



**TSWA-3N-CD23 LFS** Base switch with jog and select, black central button, grey dial

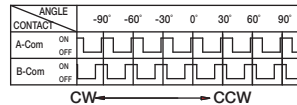


CONTACT CONFIGURATION

Push



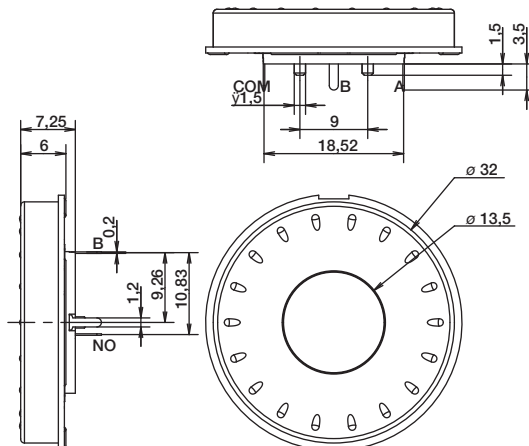
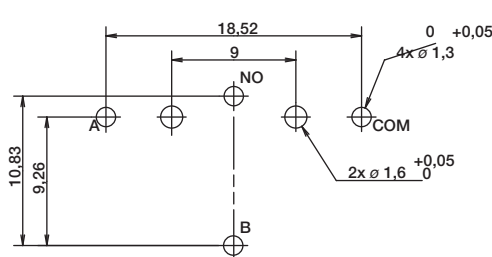
Rotation output waveform



Numbers of detent : 24

Pulse/Rotation : 12 pulse/360°

PCB LAYOUT / COMPONENT SIDE



First Angle Projection

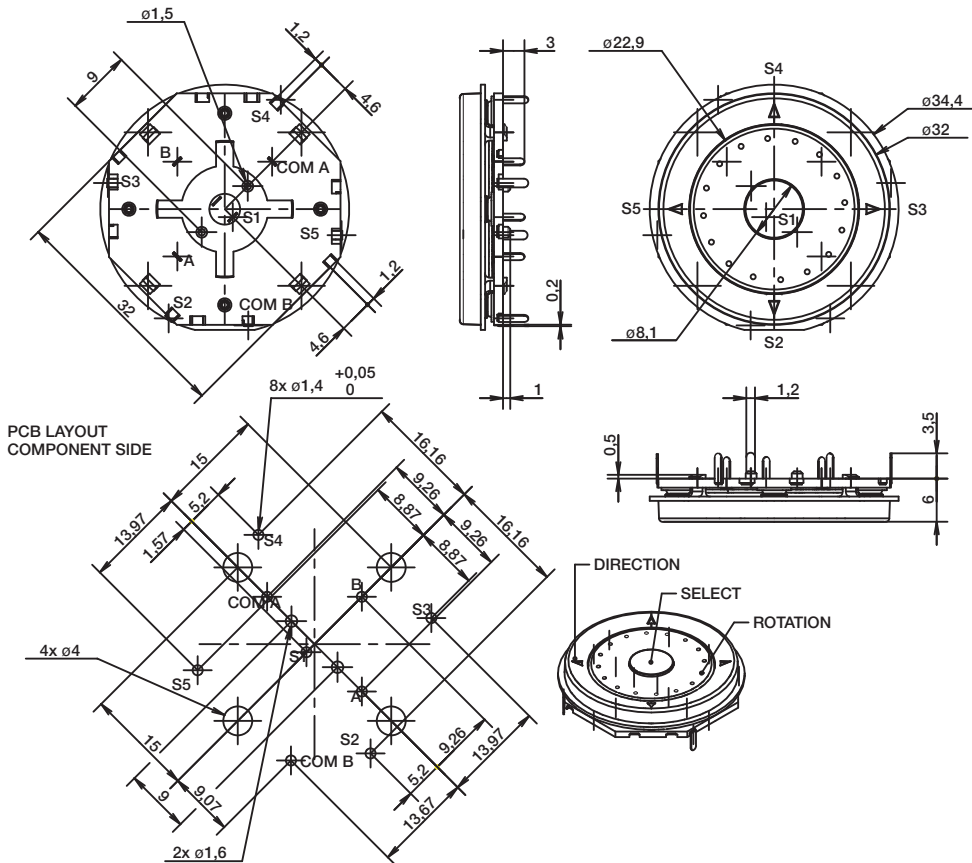
Dimensions are shown: mm  
Specifications and dimensions subject to change



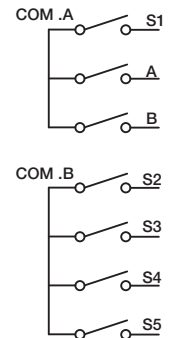
# TSW Series 3 or 7 Function Tact and Scroll Wheel

**TSWB-3N-CB111 LFS**  
**TSWB-3N-CB222 LFS**

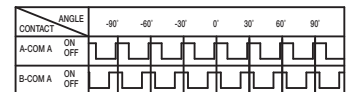
Central select with jog and 4 directions, white central button, dial & direction ring  
Central select with jog and 4 directions, black central button, dial & direction ring



ELECTRICAL FUNCTION



Rotational Output Waveform



CW ← → CCW

Numbers of detent : 24

Pulse/Rotation : 12 pulse/360°



C

Navigation

## X-ON Electronics

Largest Supplier of Electrical and Electronic Components

*Click to view similar products for [Multi-Directional Switches](#) category:*

*Click to view products by [C&K](#) manufacturer:*

Other Similar products are found below :

[MJTP1109AL](#) [RA3CSH6A](#) [APTCFVTR](#) [SRBE210100](#) [T5-NH1118](#) [RKJXW1014002](#) [RKJXW2014001](#) [TSWA-3N-CUP2-LFS](#) [3J2015-200](#)  
[T2-0018](#) [T5-CK2212](#) [CS41001E](#) [RKJXK122000D](#) [RKJXK122400Y](#) [RKJXL100401V](#) [RKJXM2E13001](#) [RKJXM2E13004](#) [RKJXS1004001](#)  
[RKJXT1F42001](#) [RKJXV1224005](#) [RKJXY100000A](#) [SKRHAAE010](#) [SKRHABE010](#) [SKRHACE010](#) [SKRHADE010](#) [SLLB120100](#)  
[SLLB120200](#) [SLLB120300](#) [SLLB510100](#) [SLLB510200](#) [SLLB520100](#) [SRBE110301](#) [SRBE210200](#) [AMPTFP2VTR](#) [D16202](#) [PHAP4383V](#)  
[3302](#) [7G5002C0003](#) [QSA2S3.5NH3G7](#) [K1-1508SA-03](#) [PLJG2-G-V-T/R](#) [PLMG5-GH-V-T/R](#) [RKJXU1210006](#) [SKRHADE011](#) [T4-0010](#)  
[2200-000301](#) [5D001-BKKKKKAWXWXWXWX-W200](#) [RKJXM1015004](#) [RKJXV1220001](#) [SLLB310300](#)